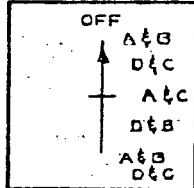


File Cy. 28-7
 Regulatory
 Received w/Ltr Dated 6-28-77

DEV. 43 MAINTAINED
EXP POSITION

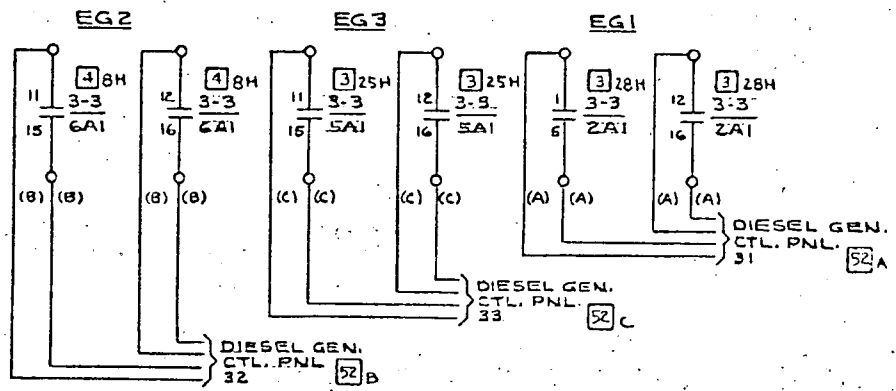
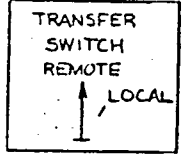
CONTACT	POSITION						REF. DWG.
	O	A	D	A	O	A	
	R	B	C	C	B	C	
A11-B11						X	* 4
A12-B12	X						SH.10
A1-B1		X					* 5
A2-B2			X				SH.10
A3-B3				X			* 4
A4-B4					X		SH.10
A5-B5						X	* 5
A6-B6	X						SH.13
A7-B7		X					* 4
A8-B8			X				* 5
A9-B9				X			SH.13
A10-B10					X		SH.13
C11-D11	X					X	SH.13
C12-D12		X					SH.10
C1-D1			X				SH.13
C2-D2				X			SH.10
C3-D3					X		SH.13
C4-D4					X		* 5
C5-D5	X					X	SH.10
C6-D6		X					SH.13
C7-D7			X				SH.13
C8-D8				X			SH.10
C9-D9					X		SH.13
C10-D10						X	SH.13
E11-F11	X						SH.13
E12-F12		X					
E1-F1			X				
E5-F5	X					X	
E6-F6		X					
E7-F7			X				

A- EXHAUST FAN 31
 B- P.A. BLD'G. SUPPLY FAN
 C- C.B. PURGE FAN
 D- EXHAUST FAN 32



DEV. 43 TYP. FOR AFI SH. 11
AND AF3 SH.16

CONTACT	POSITION	
	R	L
A11-B11		X
A12-B12	X	
A1-B1		X
A2-B2	X	
A3-B3		X
A4-B4	X	
A5-B5		X
A6-B6	X	
A7-B7		X
A8-B8	X	
A9-B9		X
A10-B10	X	
C11-D11		X
C12-D12	X	
C1-D1		X
C5-D5	X	
C6-D6		X
C7-D7	X	



- NOTES**
- *1- NUMBERS IN SQUARES REFER TO EQUIPMENT LOCATIONS. FOR LEGENDS SEE SH. 1
 - *2- FOR EMERGENCY DIESEL GENERATORS AUTO-START SCHEMATIC SEE U.E. & C. P.R. 9321-05-3445
 - *3- FOR DEVICE 3-3/GA SEE SH. 4 FOR DEVICE 3-3/5A SEE 9321-LL-31173, SH. 5
 - *4- 9321-LL-31273, SH. 6
 - *5- 9321-LL-31273, SH. 7
 - *6- LETTER (A) ETC. REFERS TO CABLE SCHEMATIC, SH. 6A.

DEV. 1-1/ABFP2 (1-2/ABFP2)

CONTACT BLOCK	CIRCUIT POSITION	
	L	R
1ST BLOCK (FRONT) TYPE OT2M	NO	NO (-25) (P) NO (-23)
2ND BLOCK TYPE OT2N	NO (-15) NC (-15)	NO (-N2) NC (-N2) (N3) NC (-N2)

OPERATOR OT256
 3 POSITION
 MAINTAINED

SH. 5

EG1, EG2, & EG3
AUTO-START CIRCUITS

REV.	DATE	DESCRIPTION	ENGR	SUP ENGR
3	5/15/71	REV. DEV. 1-1/ABFP2		
2	3/3/71	ADDED CABLE LETTERS & NOTE #6		
1	12/16/70	ADDED EQUIP LOCATION		
0	11/6/70	FIRST ISSUE FOR CONSTRUCTION		

ENGINEER: *Kellam P. Robinson*
 STATE REG. NEW
 UNITED E

WESTINGHOUSE ELECTRIC CORPORATION
 FOR CONSOLIDATED EDISON COMPANY
 INDIAN POINT GENERATING STATION - UNIT NO. 3

SCHEMATIC DIAGRAM
480V. SWITCHGEAR 32

SHEET NO. 6

U.E. & C. DWG. NO. 9321-LL-31183
 CON. ED. CO. DWG. NO. D202470

8110230251