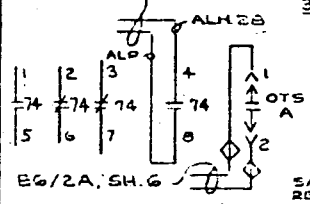
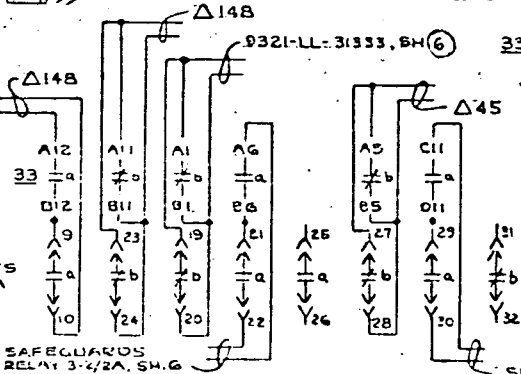


- NOTES**
- \*1- WIRE DESIGNATIONS ARE TO BE PREFIXED WITH 29B-
  - \*2- NUMBERS IN SQUARES REFER TO EQUIPMENT LOCATION... FOR LEGENDS SEE SH. 1
  - \*3- FOR DEVICE 1-1/EG1 DEVELOPMENT SEE DEVICE 1/M, SH. 3
  - \*4- FOR DEVICES 52b/2ATSA & 52H/2A SEE SH. 1
  - \*5- FOR DEVICES 52b/2A & 52H/2A SEE SH. 1B
  - \*6- FOR DEVICES 55/EG1, 1-2/EG1 (BCS-EG1), 27X1/EG1 (C/X2), RSTR/EG1 & K1/EG1 SEE U.E. & C. F.P. 9321-05-3446.
  - \*7- FOR DEVICES 27-2A/X2 & 27X1/EG1 SEE SH. 6
  - \*8- LETTER(A) ETC. REFERS TO CABLE SCHEMATIC SH. 14A
  - Δ: INDICATES W/ DWG. 5008071, (U.E. & C. F.P. 9321-05-3307) SHEET NUMBER.
  - \*9- CONTACT (RSTR/EG1) RELAY NOT USED

480 VOLT BUS MAIN TIE OR EMERG. GEN. BREAKER TRIP SEE SH. 7



SAFEGUARDS RELAY 3-2/2A, SH. 6



C1	A7	C5	C2	C7	C6
33	a	b	a	b	b
D1	B7	D5	D2	D7	D6
SPARES					

5	74	REVISED FUSE RATINGS & DWG. NO. NEW ADDED CABLE LETTERS.			
4	33	ADD CABLE LETTERS TO 33/EG1			
3	27	ADD CABLE LETTERS TO 27/EG1			
2	3	ADD CABLE LETTERS & NOTE *8			
1	17	REVISED NOTE 3; ADDED WIRE SYMBOLS & CELL NO'S			
2	14	FIRST ISSUE FOR CONSTRUCTION			
1		DATE	DESCRIPTION	ENGR	SUP ENGR
ENGINEER <i>G. William P. Robinson</i>					
STATE REG. NEW YORK... NO. 42453					
UNITED EN					

**BREAKER 52/EG1  
EMERGENCY GENERATOR 31**

**WESTINGHOUSE ELECTRIC CORPORATION**  
FOR  
CONSOLIDATED EDISON COMPANY  
INDIAN POINT GENERATING STATION - UNIT NO. 3

**SCHEMATIC DIAGRAM**  
**480V. SWITCHGEAR 31**

SHEET NO. 14

U.E. & C. DWG. NO.	CON. ED. CO. DWG. NO.
9321-LL-31173	D202469

8110230245