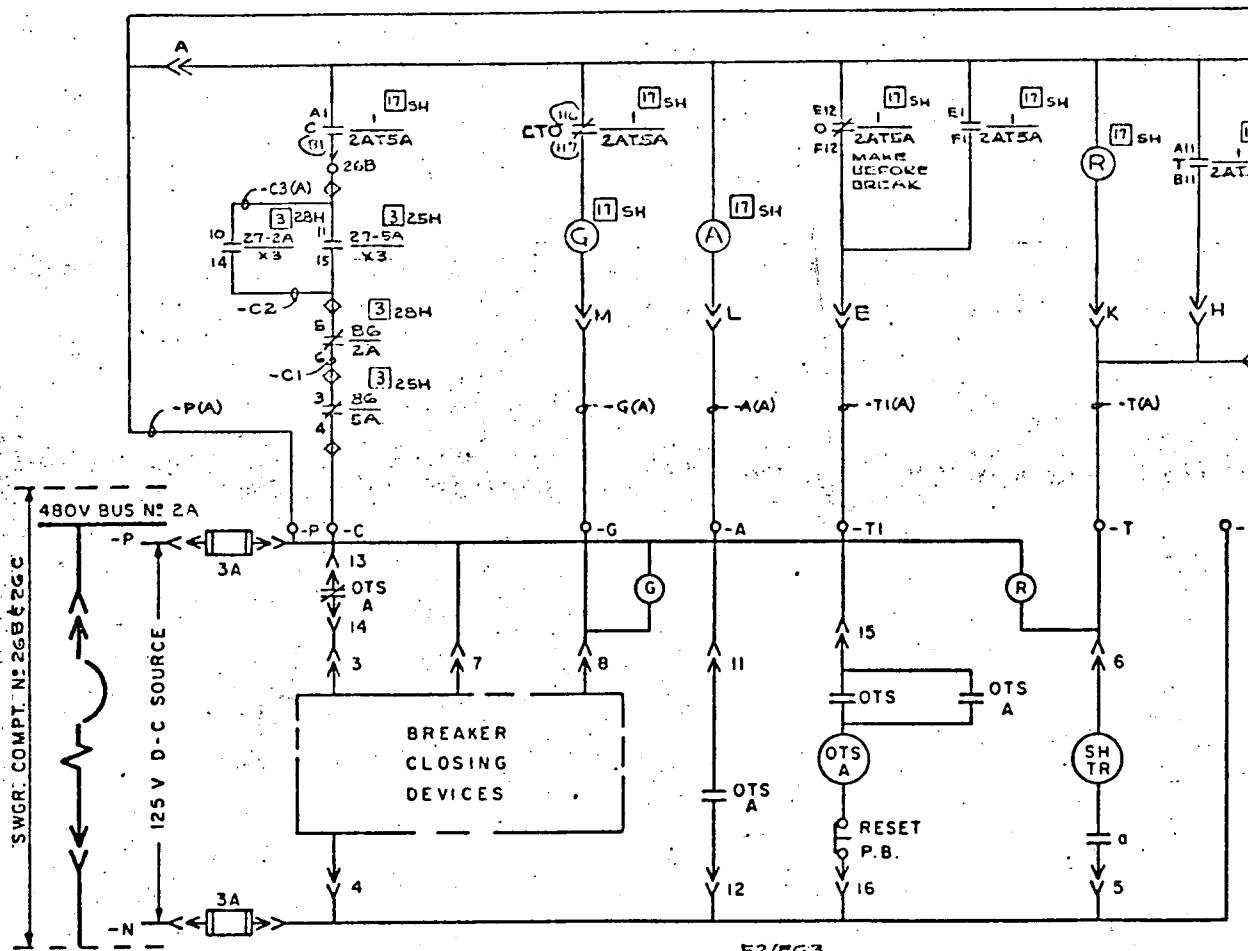


Revised w/1st Board 6-28-77

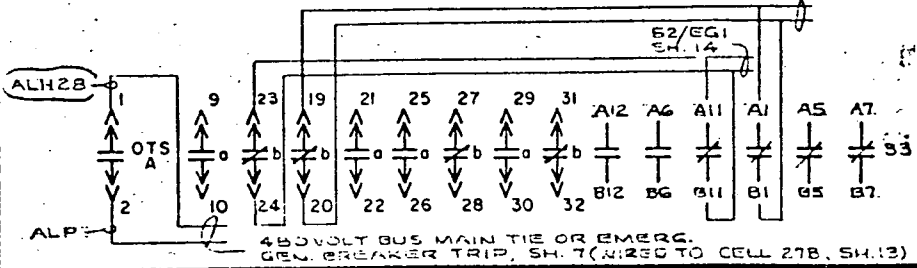


NOTES

- *1 - WIRE DESIGNATIONS ARE TO BE PREFIXED WITH 26B-
- *2 - NUMBERS IN SQUARES REFER TO EQUIPMENT LOCATION. FOR LEGENDS SEE SH. 1
- *3 - FOR DEVICE 1/2AT5A DEVELOPMENT SEE DEVICE 1/*, SH. 3
- *4 - FOR DEVICES 27-2A/X3, 86/2A, & SI/2A SEE SH. 6
- *5 - FOR DEVICES 27-5A/X2, 86/5A & SI/5A SEE SH. 5
- *6 - LETTER (A) ETC. REFERS TO CABLE SCHEMATIC SH. 12A.

8110230241

BREAKER 52/2AT5A BUS 2A-5A TIE



NO.	DATE	DESCRIPTION	ENGR	SUP ENGR	(W)
3	3/3/77	REV CONTACTS ON 1/2AT5A; ALH28 WAS ALH40	SIL	W	
2	2/3/77	ADDED CABLE LETTERS & NOTE #6	SIL	W	
1	1/16/77	REVISED NOTE 3, ADDED WIRE SYMBOLS & CELL NO'S	SIL	W	
2	1/16/77	FIRST ISSUE FOR CONSTRUCTION	SIL	W	
DATE		DESCRIPTION	ENGR	SUP ENGR	(W)
ENGINEER		William P. Roberson			
STATE REG. NEW YORK		NO. 42453			
UNITED ENGINEERS & CONSTRUCTORS INC.					

WESTINGHOUSE ELECTRIC CORPORATION
FOR
CONSOLIDATED EDISON COMPANY
INDIAN POINT GENERATING STATION - UNIT NO. 3

SCHEMATIC DIAGRAM
480V. SWITCHGEAR 31

SHEET NO. 12

U.E. & C. DWG. NO. 9321-LL-31173
CON. ED. CO. DWG. NO. D202469