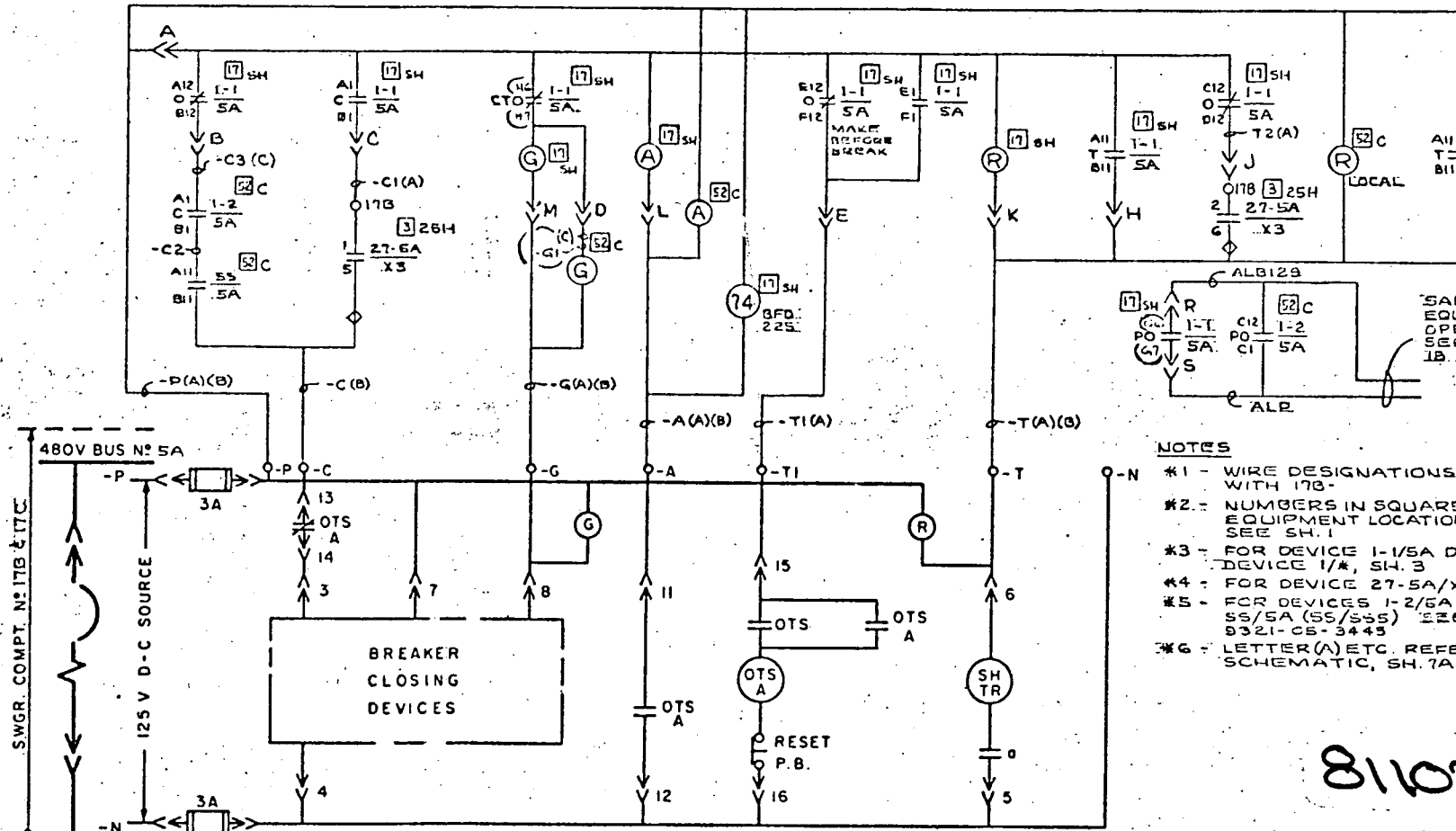


Revised w/14r Dated 6-28-73

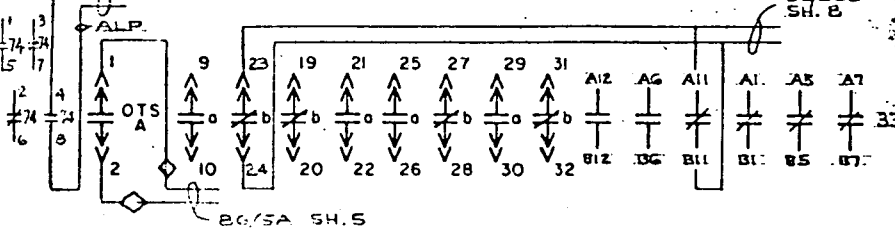


SAFEGUARDS  
EQUIPMENT LOCKED  
OPEN  
SEE SH'S 7, 8, 10, 13, 14,  
18, 4, 9321-LL-311B3, SH. 7

- NOTES**
- #1 - WIRE DESIGNATIONS ARE TO BE PREFIXED WITH 17B
  - #2 - NUMBERS IN SQUARES REFER TO EQUIPMENT LOCATION. FOR LEGENDS. SEE SH. 1
  - #3 - FOR DEVICE 1-1/5A DEVELOPMENT. SEE DEVICE 1/A, SH. 3
  - #4 - FOR DEVICE 27-5A/X3, SEE SH. 5
  - #5 - FOR DEVICES 1-2/5A (BCG-SS5) AND 55/5A (SS/SS5) SEE U.E. & C. P. 9321-05-3445
  - #6 - LETTER (A) ETC. REFERS TO CABLE SCHEMATIC, SH. 7A

8110230231

480V. BUS MAIN TIE OR EMERG. GEN. BREAKER TRIP. SEE SH'S 8, 12, 13, 14, 18, AND 9321-LL-311B3, SH. 7



3	1	ADD CABLE LETS, ADD SW AND NEW CONT. NO'S. REVISION 2/12/73 WAS ADDED	SH. 7A
2	3	ADDED CABLE LETTERS & NOTE #6	SH. 7A
1	1	REVISED NOTE 3 ADDED WIRE SYMBOLS & CELL NO'S	SH. 7A
1	1	FIRST ISSUE FOR CONSTRUCTION	SH. 7A
1	1	DATE	ENGR SUP ENG (M)
ENGINEER		Fullerton P. Robinson	
STATE REG. NEW YORK		NO. 42453	
UNITED ENGINEERS & CONSTRUCTORS INC.			

WESTINGHOUSE ELECTRIC CORPORATION  
FOR CONSOLIDATED EDISON COMPANY  
INDIAN POINT GENERATING STATION - UNIT NO. 3

**SCHEMATIC DIAGRAM**  
480V. SWITCHGEAR 31

SHEET NO. 7

U.E. & C. DWG. NO. 9321-LL-31173  
CON. ED. CO. DWG. NO. D 202469