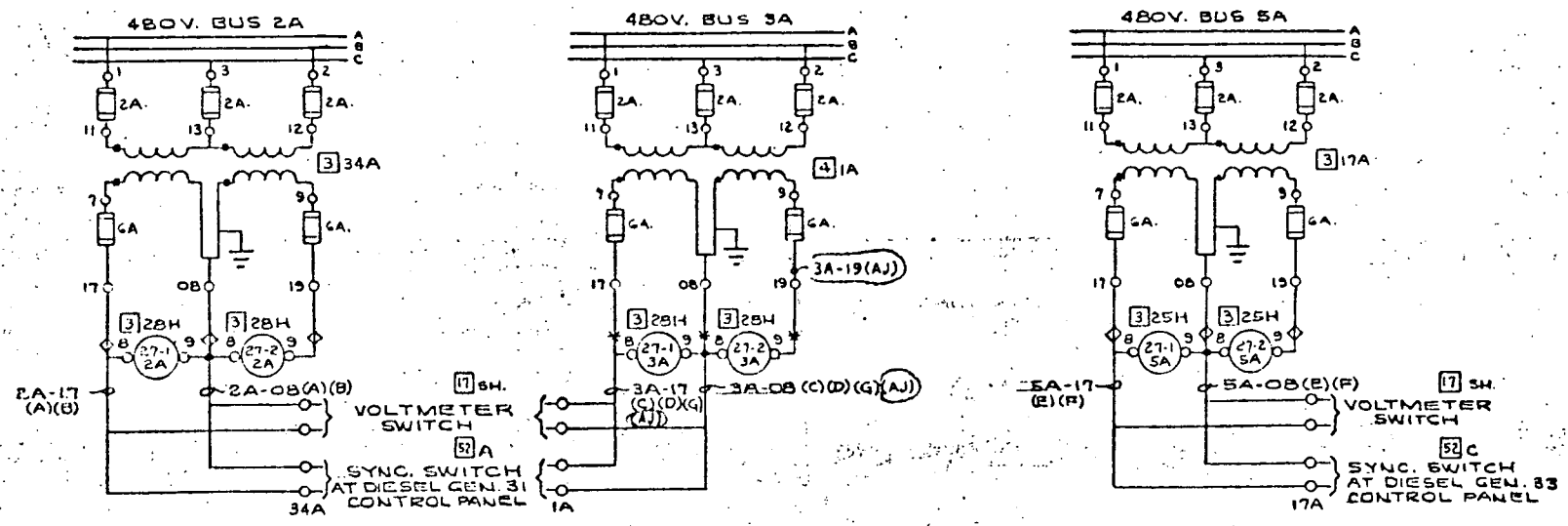


29-6



NOTES

- * 1 - NUMBERS IN SQUARES REFER TO EQUIPMENT LOCATION. FOR LEGENDS SEE SH. 1
- * 2 - FOR DEVICE 27-1/2A, 27-2/2A, 27-1/3A & 27-2/3A CONTACTS SEE SH. 6.
- * 3 - FOR DEVICE 27-1/5A & 27-2/5A CONTACTS SEE SH. 5
- * 4 - FOR SYNC. SWITCH CONNECTIONS AND ADDITIONAL DETAILS SEE 9321-F-30073.
- * 5 - LETTER (A) ETC. REFERS TO CABLE SCHEMATIC, DWG. 9321-F-30033

8110230229

**BUS 2A, 3A, & 5A
UNDERTENSION RELAYS**

4	24	ADDED 3A-19 & CABLE LTRS (AJ)	
3	13	REV. NOTES	
2	13	ADDED CABLE LETTERS & NOTE	
1	13	ADDED WIRE SYMBOLS & CELL NO'S	
1	14	FIRST ISSUE FOR CONSTRUCTION	
1	14	DATE	DESCRIPTION
ENGINEER		<i>William P. Robinson</i>	
STATE REG. NEW YORK		NO. 42453	
UNITED ENGINEERS & CONSTRUCTORS INC.			

WESTINGHOUSE ELECTRIC CORPORATION FOR CONSOLIDATED EDISON COMPANY INDIAN POINT GENERATING STATION - UNIT NO. 3	
SCHEMATIC DIAGRAM 480 V. SWITCHGEAR 31	
SHEET NO. 2	
U.E.&C. DWG. NO.	CON. ED. CO. DWG. NO.
9321-LL-31173	D 202469