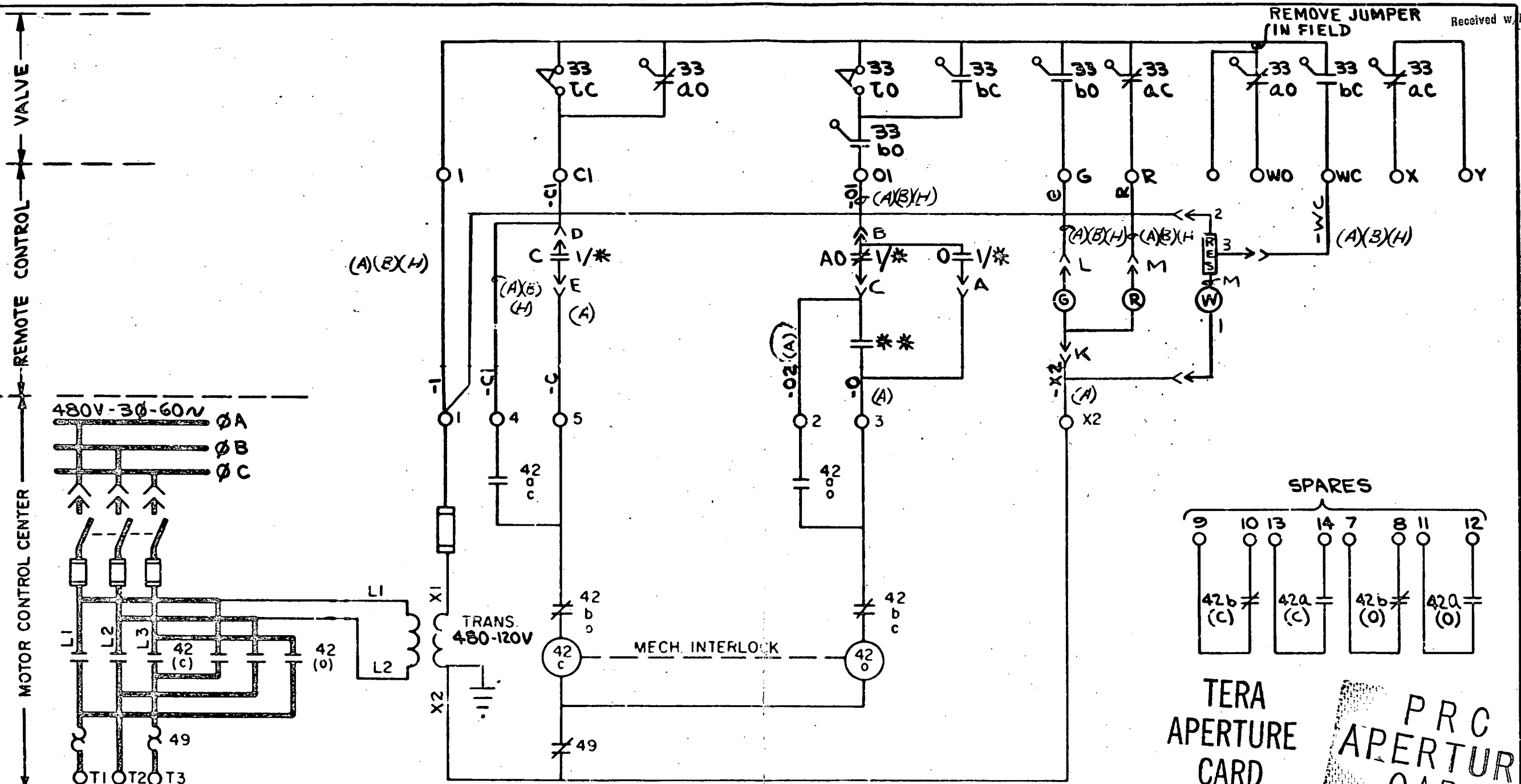


Received w/ Ltr Dated 6.28.73



TERA APERTURE CARD
 PRC APERTURE CARD

AUTO OPEN (SAFEGUARDS) MONITOR LIGHT-CLOSED
 FIGURE # 7

VALVE SHOWN IN FULL OPEN POSITION

- NOTE:
1. WIRE DESIGNATIONS ARE TO BE PREFIXED WITH 1802A FOR MCC 36A COMPT. 3RD VALVE 1802A AND 1802B FOR MCC 36B COMPT. 3RD VALVE 1802B
 2. LETTER (A) ETC. REFERS TO CABLE SCHEMATIC.

ECN-9678 W.C.D. 3-7-73 W.C.D. 3-14-73 W.C.D. 3-16-73	ECN-7161 J.S. 3-9-71 J.S. 3-31-71 J.S. 4-2-71	ECN-6811 W.C.D. 10-19-70 W.C.D. 10-27-70 W.C.D. 10-30-70	ECN-5911 W.C.D. 3-25-70 W.C.D. 3-26-70 W.C.D. 3-27-70	ECN-5522 R.W. KEMMERER 12/3/69 R.W. KEMMERER 12/12/69 R.W. KEMMERER 12/15/69	S.O. INT-385
6	5	4	3	2	SUB

Westinghouse Electric Corporation		(W)	
TITLE: CONSOLIDATED EDISON CO.			
INDIAN POINT STATION - UNIT No 3			
ELEMENTARY WIRING DIAG.		MOTOR OPERATED VALVE	
M. HABERCHAK	8-8-69	H. Skow	8/11/69
		P. Mook	8/11/69
		500B971	
		SHEET-131	
ATOMIC POWER DIV.		PITTSBURGH, PA., U.S.A.	

8110230156