

6-28-73

Received w/Ltr Dated

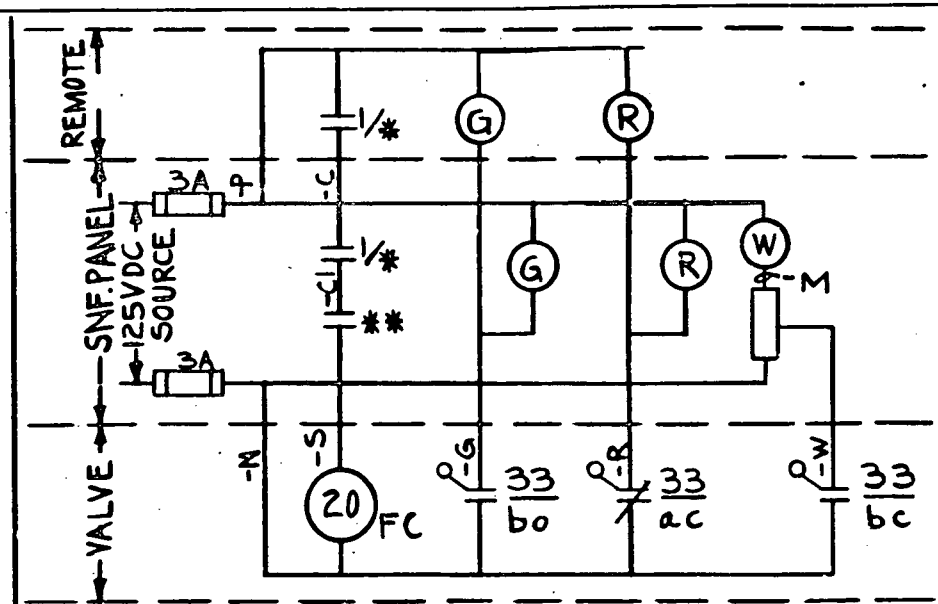


FIG. 19

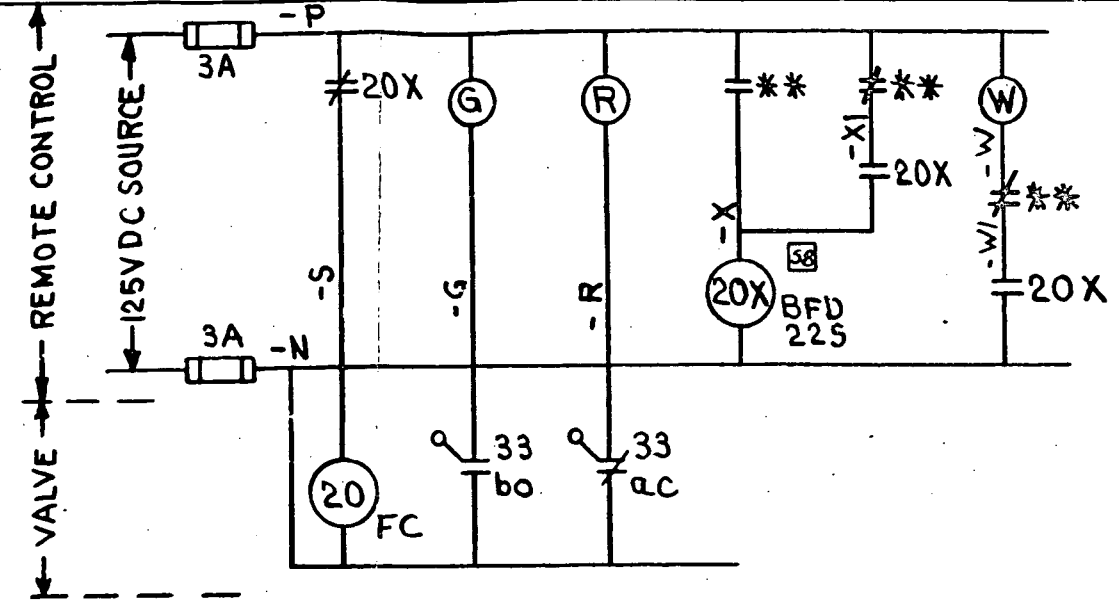


FIG. 20

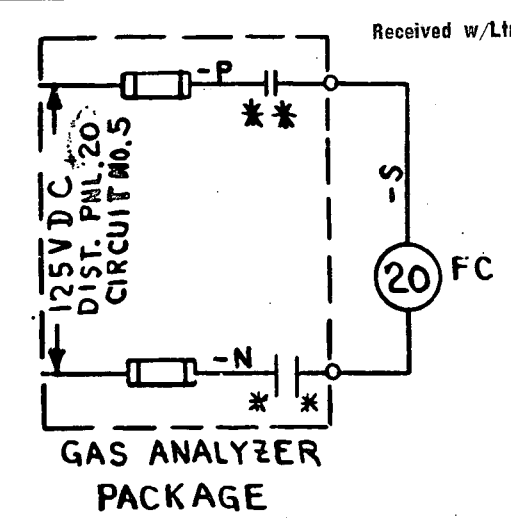


FIG. 21

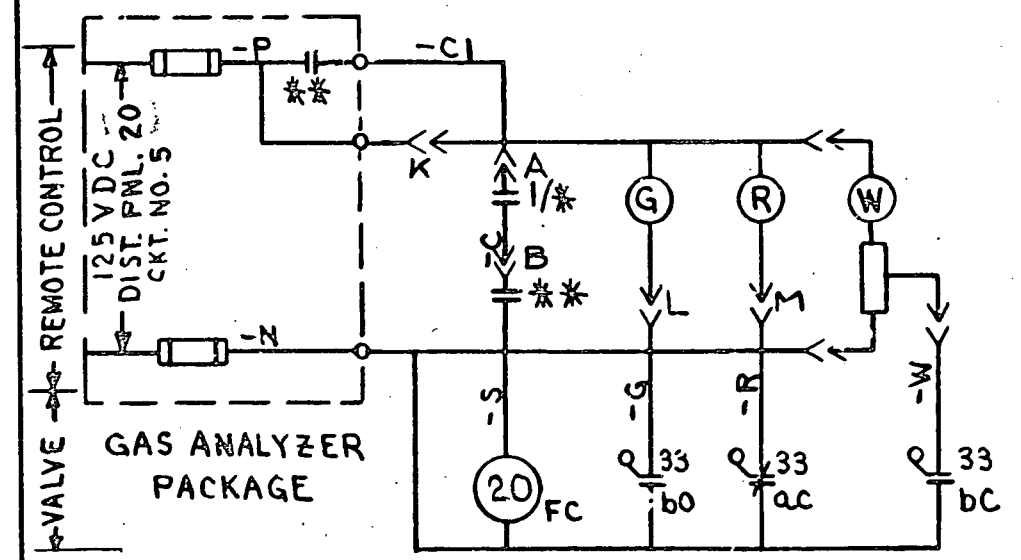
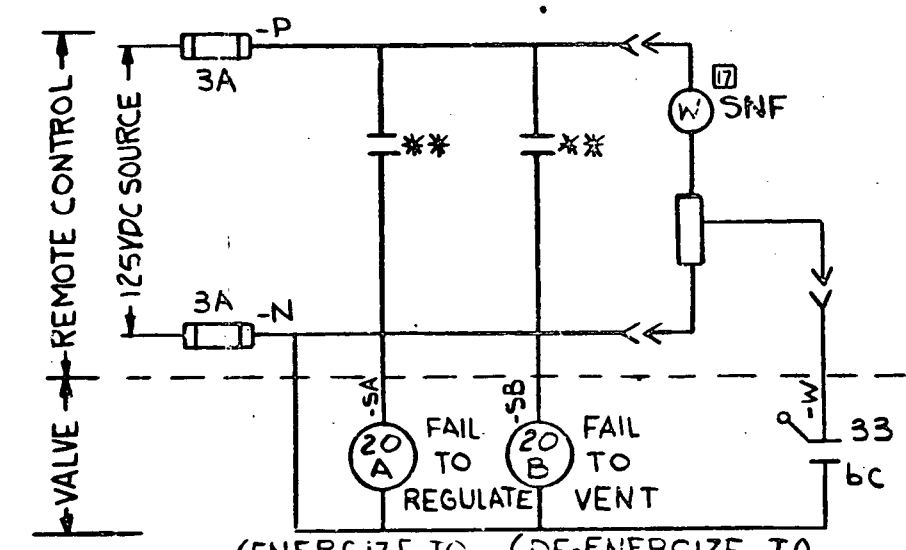


FIG. 22



(ENERGIZE TO OPEN MAIN VALVE) (DE-ENERGIZE TO CLOSE MAIN VALVE)

FIG. 23

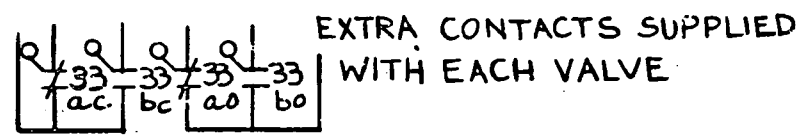
TERA APERTURE CARD

PRC APERTURE CARD

VALVES SHOWN IN FULL OPEN POSITION.

NOTES:

- 1. WIRE DESIGNATIONS ARE TO BE PREFIXED WITH VALVE NO
- SOLENOID & PILOT SOLENOID OPERATED AIR DIAPHRAM VALVES.



EXTRA CONTACTS SUPPLIED WITH EACH VALVE

ECN-9678	W.C.P. 3-7-73	3-14-73	3-16-73	ECN-7161	3-8-71	3-11-71	4-2-71	ECN-6811	7-0	7-26-70	7-26-70	ECN-5511	3-26-70	3-26-70	3-26-70	SO. INT-385	Westinghouse Electric Corporation	TITLE: CONSOLIDATED EDISON CO
5	4	3	2	1	1	1	1	1	1	1	1	1	1	1	1	1	INDIAN POINT STATION UNIT No 3	
ELEMENTRY WIRING DIA. REMOTE OPER. VALVE																		
M. HARBENCHAK 8-8-69 Hukow 8/11/69																		
500B971																		
SHEET-123																		
ATOMIC POWER DIV., PITTSBURGH, PA., U.S.A.																		

8110230144