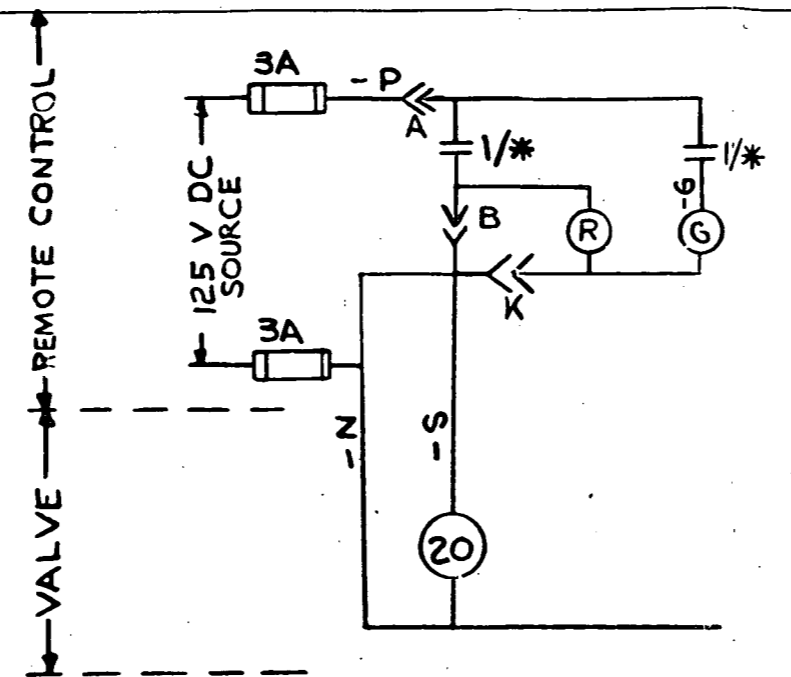
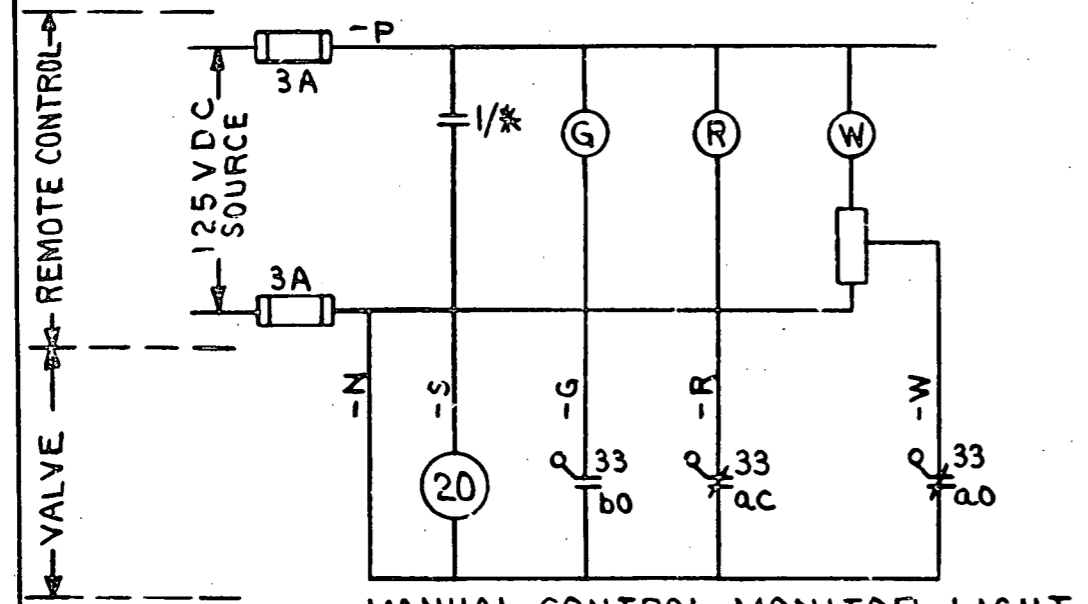


AUTO. CONTROL
FIG. 15



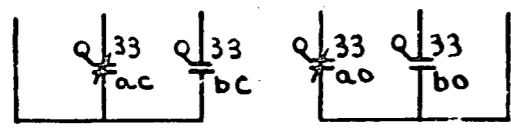
MANUAL CONTROL WITHOUT LIMIT SWITCHES
FIG. 16



MANUAL CONTROL MONITOR LIGHT
FIG. 18

NOTE:
WIRE DESIGNATIONS ARE TO BE
PREFIXED WITH VALVE NO

SOLENOID & PILOT SOLENOID
OPERATED AIR DIAPHRAM VALVES



EXTRA CONTACTS SUPPLIED
WITH EACH VALVE.

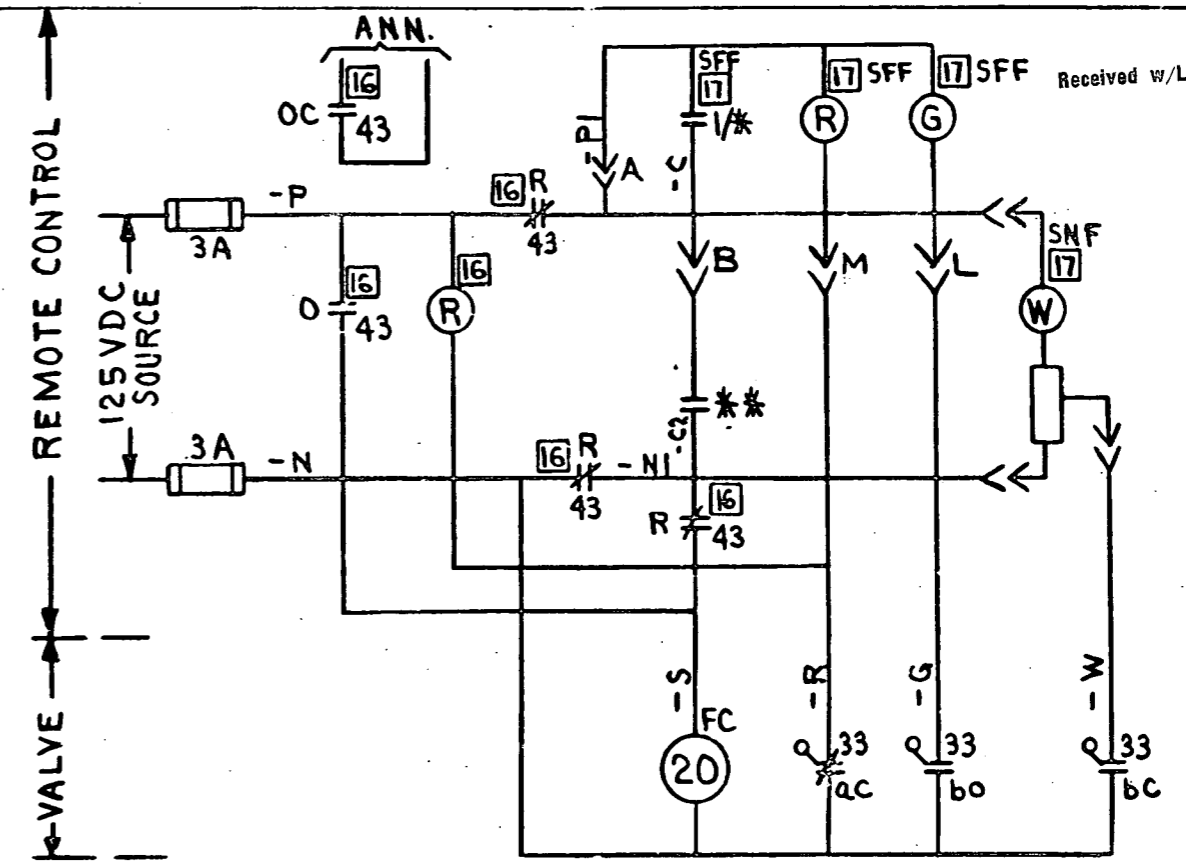


FIG. 17
TERA
APERTURE
CARD

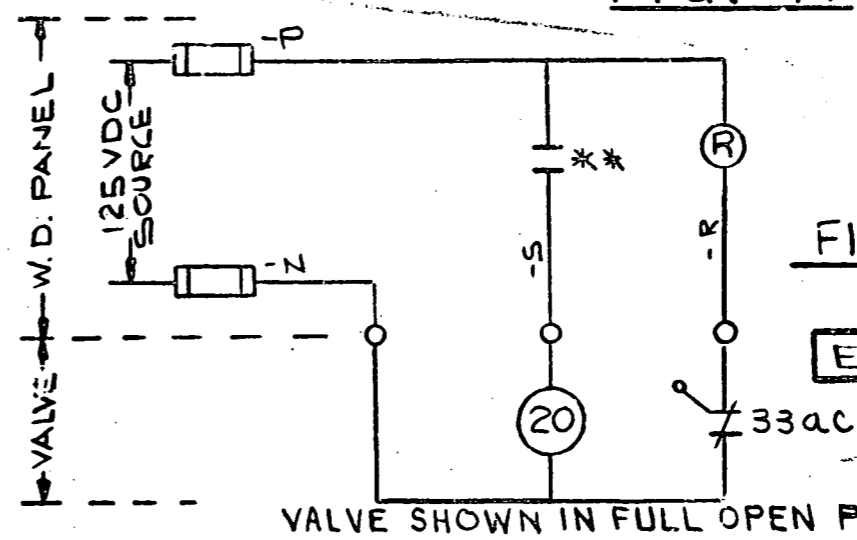


FIG. 15A

ECN-70027

PRC
APERTURE
CARD

ECN-9678 W.C.D. 3-7-73 M.H. 3-14-73 M.H. 3-16-73	ECN-80F9 G.E.B.E. 0/2471 M.H. 10-21-71 M.H. 10-27-71	ECN-6811 M.H. 10-13-70 M.H. 10-27-70 M.H. 10-30-70	S.O. INT-385	Westinghouse Electric Corporation TITLE: CONSOLIDATED EDISON CO. INDIAN POINT STATION-UNIT No 3 ELEMENTARY WIRING DIAG REMOTE OPERATED VALVES M. HABERCHAK 8-8-69 500B971 SHEET-122
4	3	2	1	ATOMIC POWER DIV., PITTSBURGH, PA., U.S.A.

8110230143