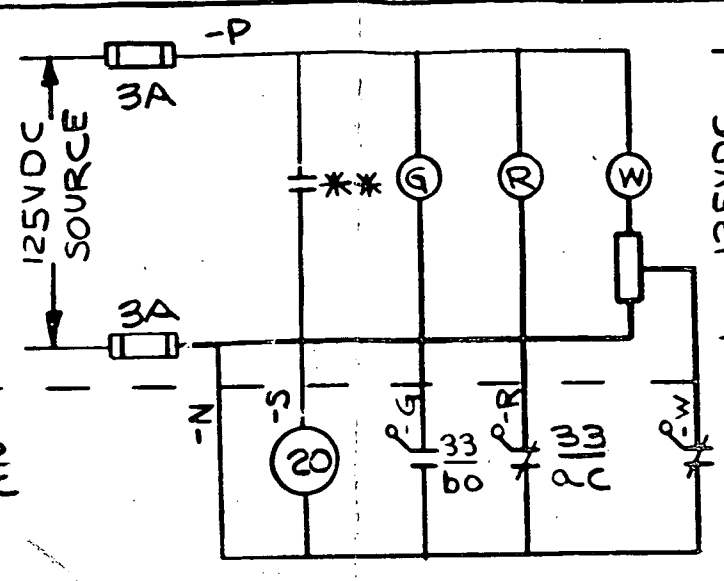
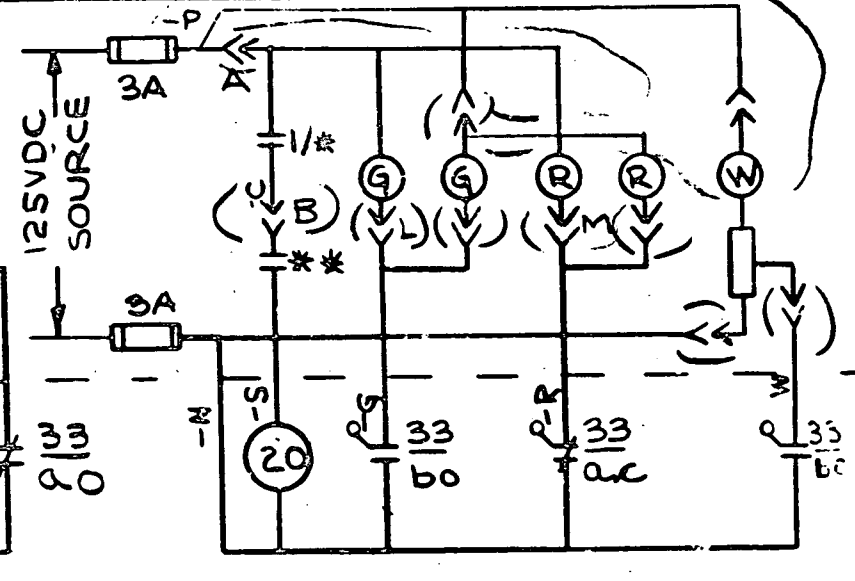


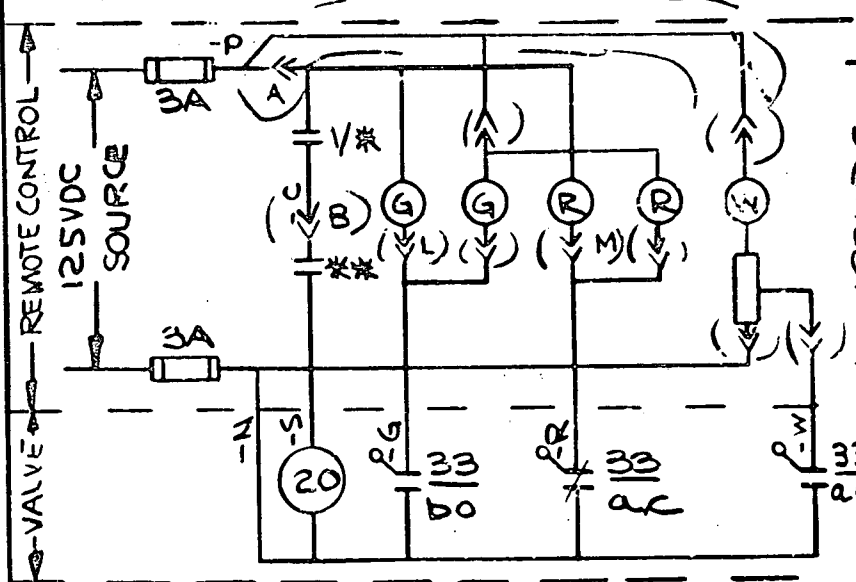
FIG-9



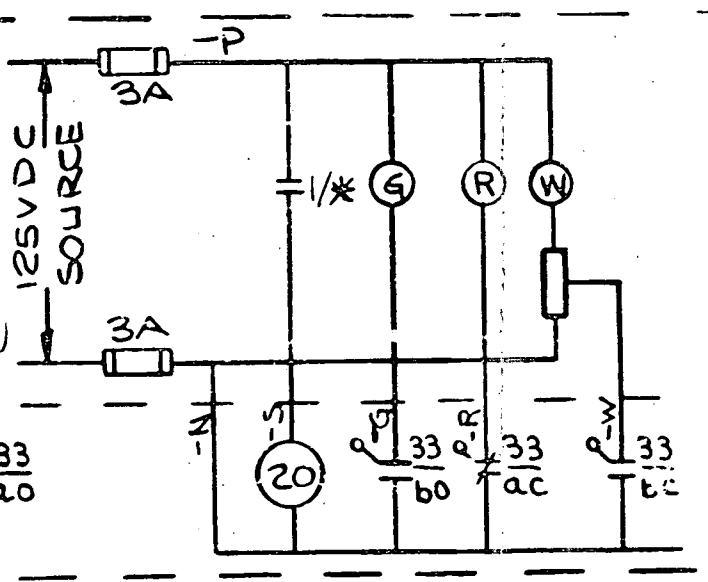
AUTOMATIC CONTROL
MONITOR LIGHT
FIG-10



MANUAL CONTROL AUTO. OVERRIDE
TO DE-ENERGIZED SOLENOID MONITOR LTS
FIG-11



MANUAL CONTROL AUTO. OVERRIDE
TO DE-ENERGIZE SOLENOID MONITOR LTS.
FIG-12



MANUAL CONTROL
MONITOR LIGHTS
FIG-13

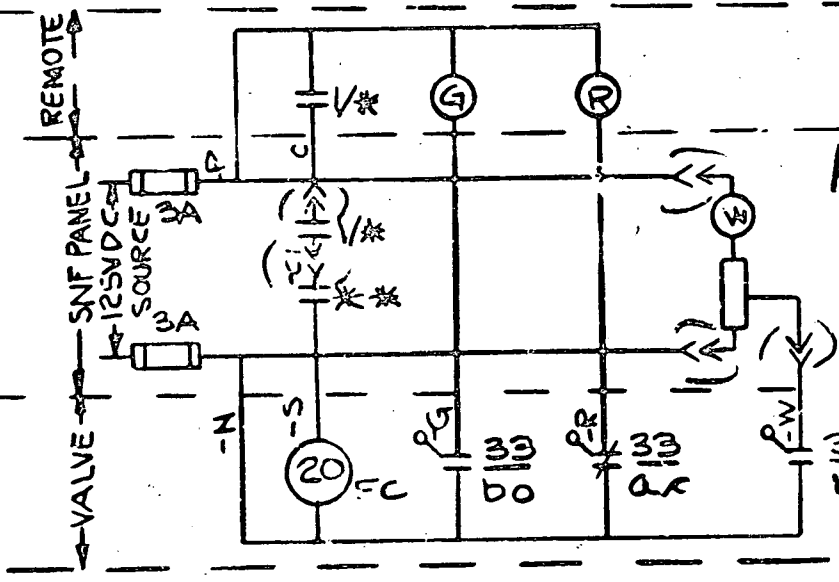


FIG-14

TERA
APERTURE
CARD
P R C
APERTURE
CARD

NOTE:
 WIRE DESIGNATIONS ARE TO BE PREFIXED
 WITH VALVE NO
 SOLENOID & PILOT SOLENOID OPERATED AIR
 DIAPHRAM VALVES.

EXTRA CONTACTS SUPPLIED
 WITH EACH VALVE

33 ac	33 bc	33 ao	33 bo
-------	-------	-------	-------

Westinghouse Electric Corporation TITLE: CONSOLIDATED EDISON CO	
INDIAN POINT STATION - UNIT N ^o 3 ELEMENTRY WIRING DIA REMOTE OPER VALVE	
M. HARRERCHER 38-69 11/19	500B971 SHEET-121
2 SUB	PITTSBURGH, PA., U.S.A.

8110230141