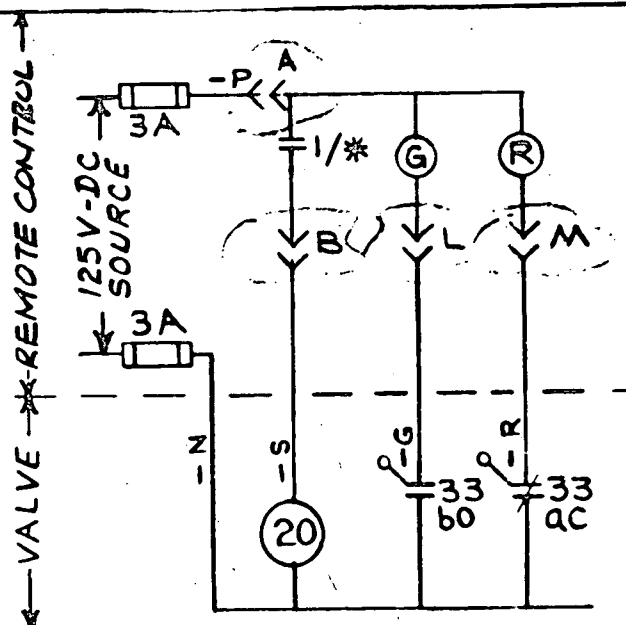
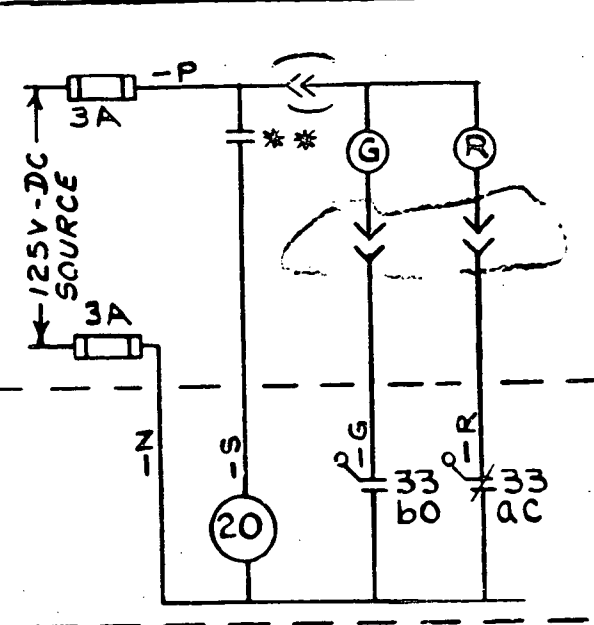


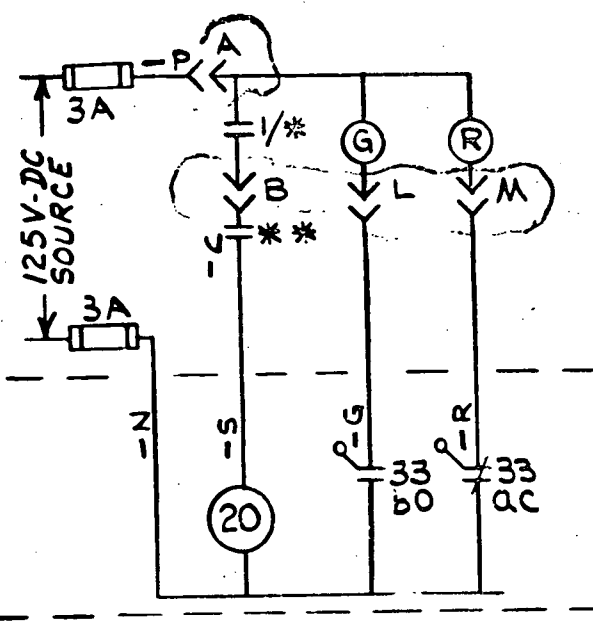
Received w/l. or Dated 6-28-73



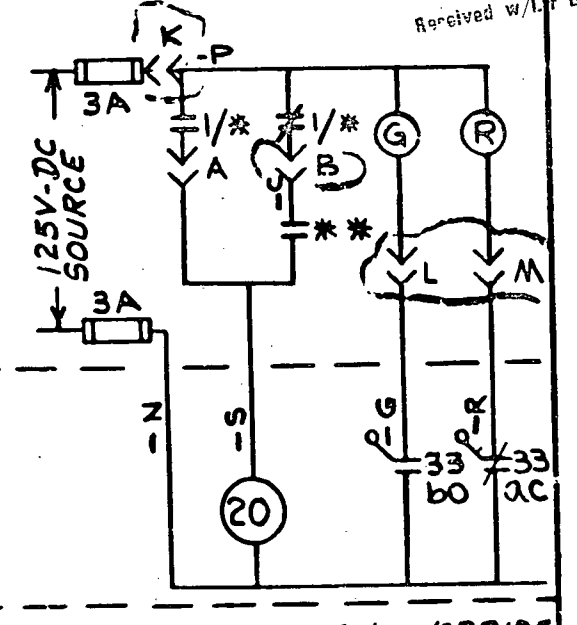
MANUAL CONTROL FIG. #1



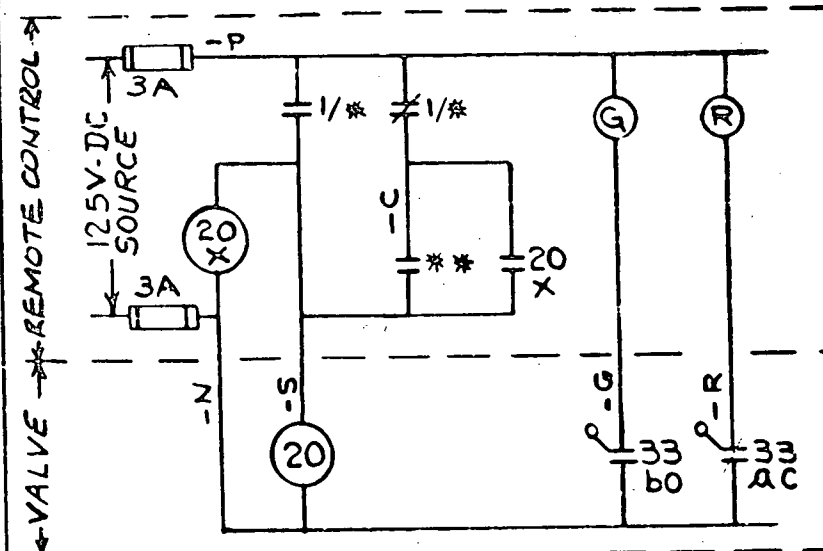
AUTOMATIC CONTROL FIG. #2



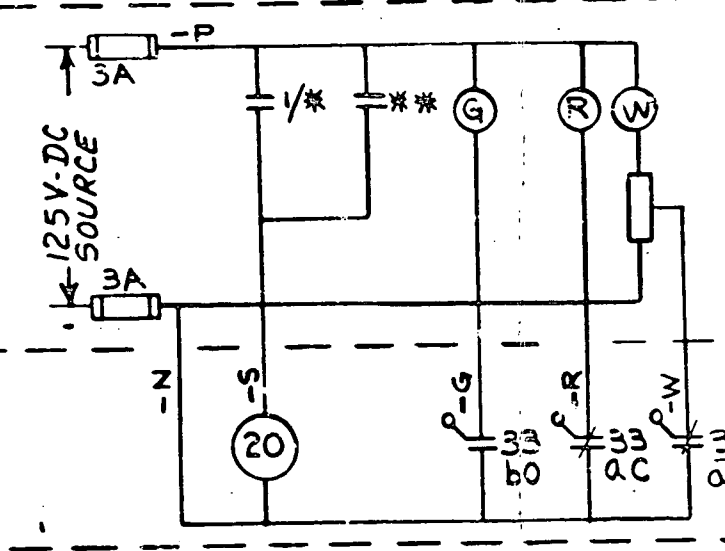
MAN. CONTROL AUTO. OVERRIDE TO DE-ENERGIZE SOLENOID FIG. #3



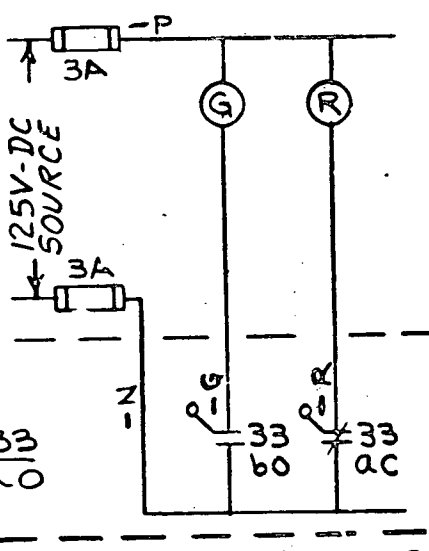
AUTO. CONTROL MAN. OVERRIDE TO ENERGIZE SOLENOID FIG. #4



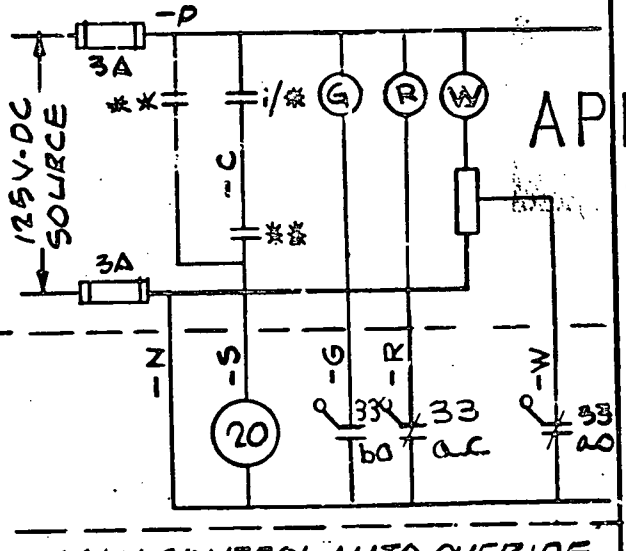
AUTOMATIC CONTROL WITH LOCK-UP MANUAL OVERRIDE TO RESET FIG. #5



MAN. CONTROL AUTO. OVERRIDE TO ENERGIZE SOLENOID FIG. #6



POSITION LIGHTS FIG. #7



MAN. CONTROL AUTO OVERRIDE TO ENERGIZE OR DE-ENERGIZE SOL. FIG. #8

PRC APERTURE CARD

NOTE: VALVES SHOWN FULL OPEN  
 WIRE DESIGNATIONS ARE TO BE  
 PREFIXED WITH VALVE NO.  
 EXTRA CONTACTS SUPPLIED  
 WITH EACH VALVE.  
 SOLENOID & PILOT SOLENOID  
 OPERATED AIR DIAPHRAM VALVES

TERA APERTURE CARD

Westinghouse Electric Corporation		INDIAN POINT STATION - UNIT N <sup>o</sup> 3	
TITLE: CONSOLIDATED EDISON CO.			
ELEMENTARY WIRING DIAG.		REMOTE OPERATED VALVES	
M. HARBERGER 88-67/11/69		500B971	
SHEET - 120		PITTSBURGH, PA. U.S.A.	

8110230140