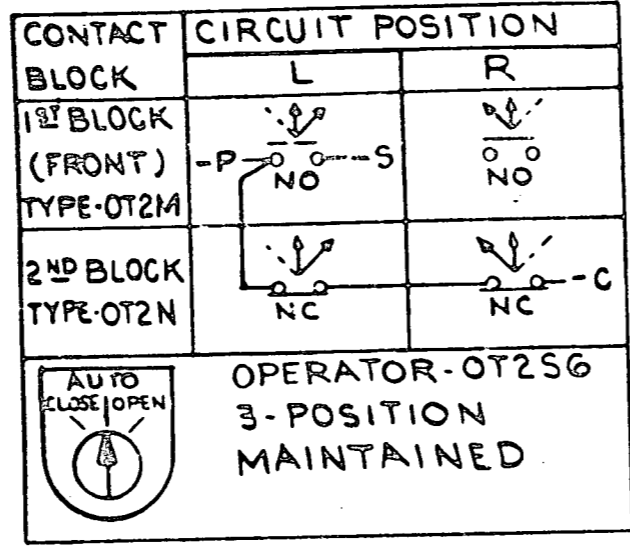
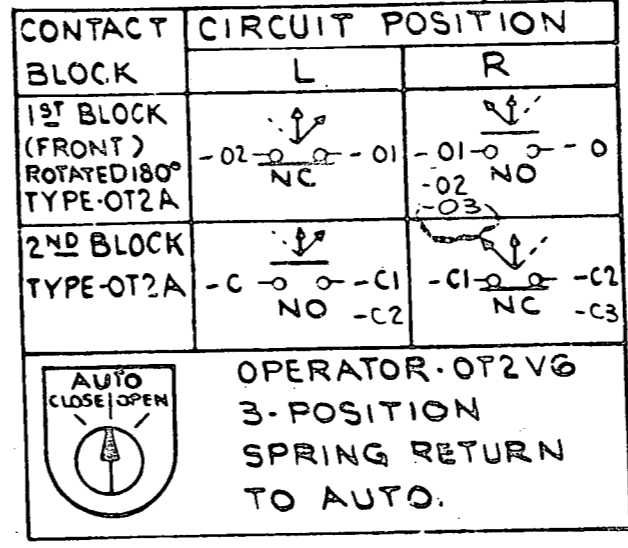


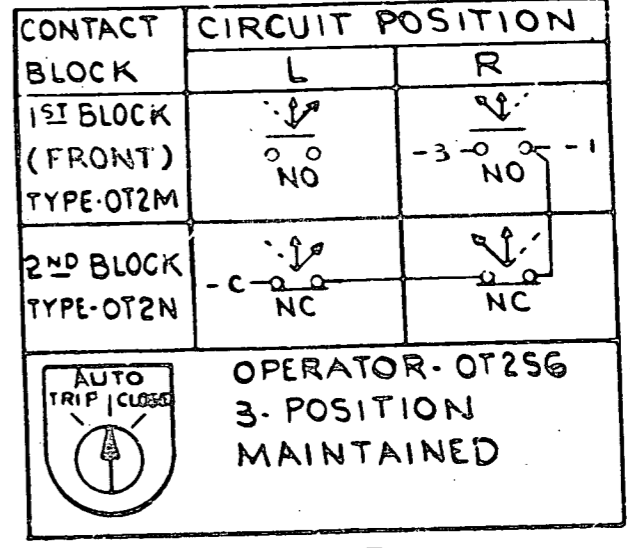
DEV.-A



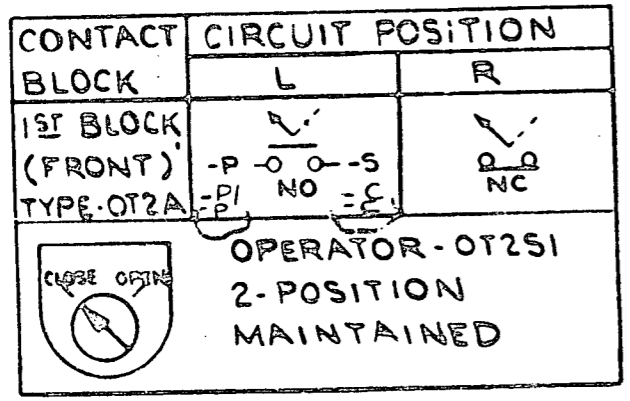
DEV.-B



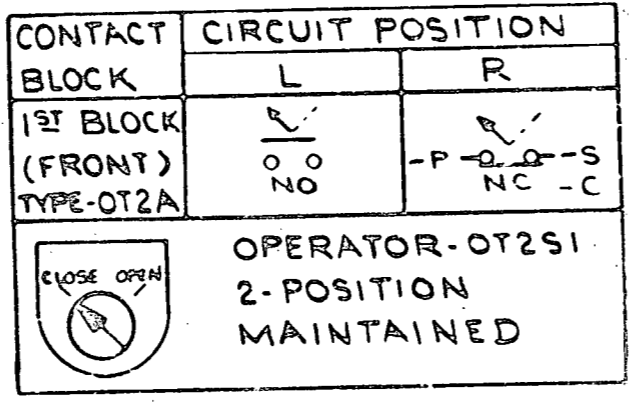
DEV.-C



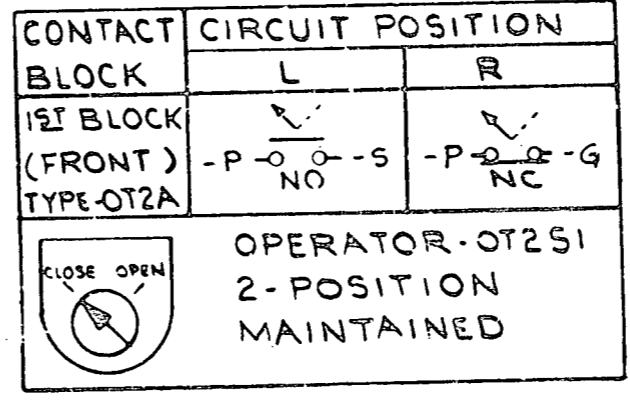
DEV.-D



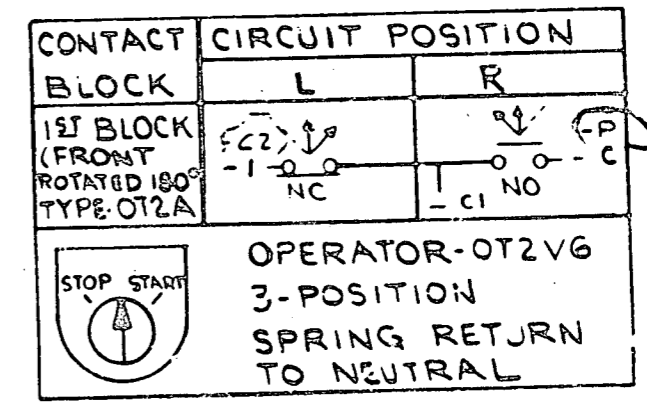
DEV.-E



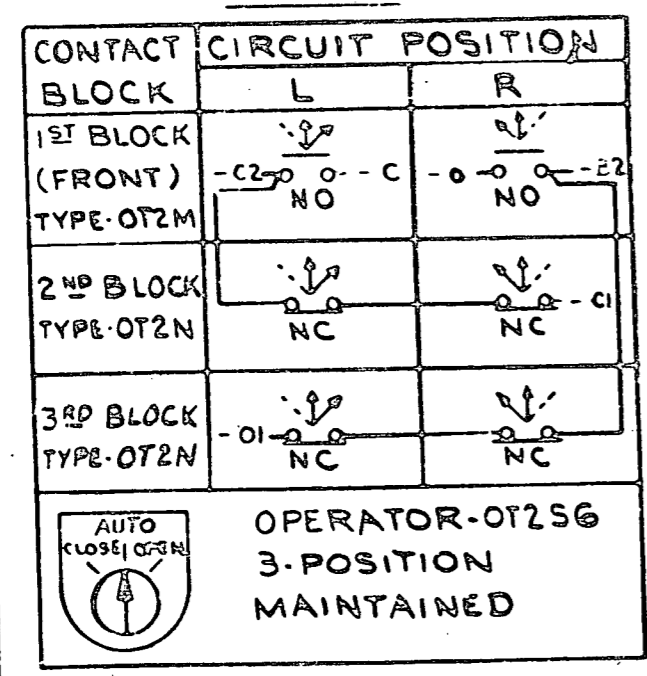
DEV.-F



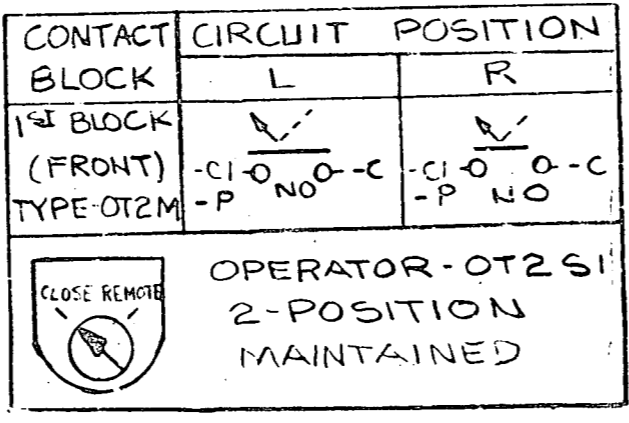
DEV.-G



DEV.-H



DEV.-I



DEV.-R

PRC APERTURE CARD

TERA APERTURE CARD

ECN 6811 9/7/70 INT-385	Westinghouse Electric Corporation		
	TITLE: CONSOLIDATED EDISON CO.		
	INDIAN POINT STATION UNIT NO.3		
	ELEM. WIRING DIA.	SWITCH DEVELOPMENT	
R.V. KEMERER	7/13/69	7/14/69	500B971
2	1	SUB	SHEET-10
ATOMIC POWER DIV.			PITTSBURGH, PA., U.S.A.

811023004-1