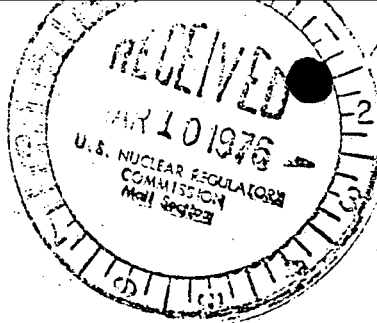


Consolidated Edison Company of New York, Inc.
4 Irving Place, New York, N Y 10003
Telephone (212) 460-3819



March 8, 1976

Re Indian Point Unit No. 3
Docket No. 50-286

Director of Nuclear Reactor Regulation
Attn: Mr. Dominic B. Vassallo
Light Water Reactor Branch No. 5
Division of Project Management
U. S. Nuclear Regulatory Commission
Washington, D. C. 20555

Dear Mr. Vassallo

Paragraph 3.3.A.3 of the proposed full-power Technical Specifications transmitted to you by letter dated January 29, 1976 identifies certain valves (744, 842, 843, 856B and G, 882, 894A, B, C & D, and 1810) which must be de-energized in order to meet the single failure criterion.

In accordance with NRC Branch Technical Position EICSB 18, the valves listed above will be provided with redundant position indication in the control room which in itself meets the single failure criterion. The existing indication systems will be supplemented with an independent status light system. The new status light system consists of separate limit switches mounted on each valve stem and cables routed in dedicated conduit separate from the existing raceway system. Within the control panel, the power supply (Circuit 8 on d.c. power panel 33) and the alarm chain will be routed in flexible ("sealtite") conduit into a spare module where the status light will be mounted.

In addition, since the operator for Valve 894C is assumed to be submerged following a postulated loss-of-coolant accident, both its existing bright/dim white light circuit and annunciator alarm circuit which provides audible indication will be disconnected from the valve operator and reconnected to new limit switches mounted above the calculated water level (El. 50'-1½") inside containment. The limit switch for the new status light system is also mounted above the calculated water level. These new limit

811180673 760326
ADDCK 05000286

2432

Domenic B. Vassallo
Nuclear Regulatory Comm.

-2-

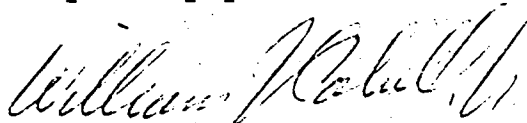
March 8, 1976

Re Indian Point Unit No. 3
Docket No. 50-286

switches will be actuated by travel of the valve stem. A separate limit switch is provided for each circuit.

A listing of those electrical schematics affected by these changes is delineated in Attachment A. Forwarded herewith are seven (7) copies of finalized versions of those schematics listed in Attachment A.

Very truly yours

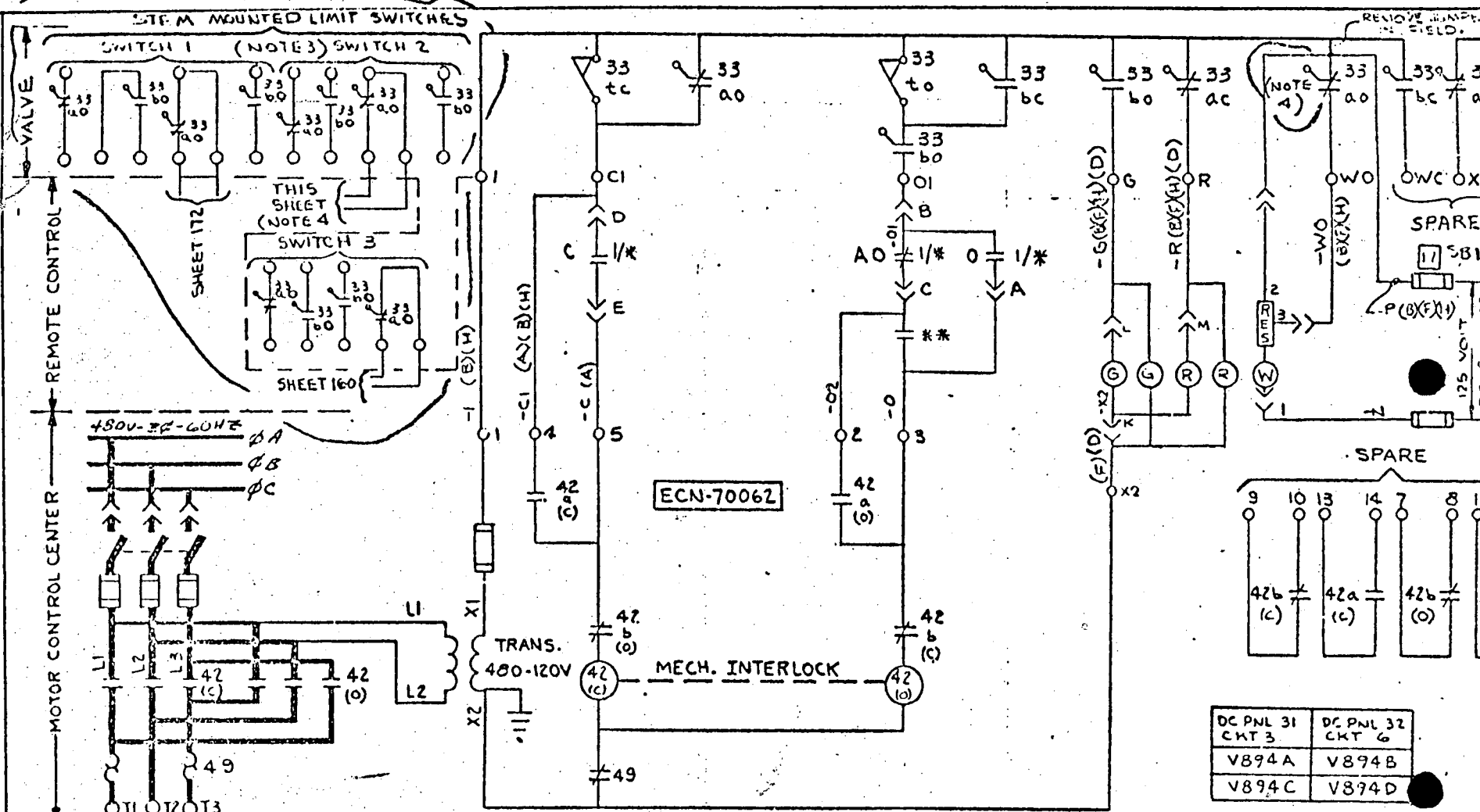


William J. Cahill, Jr.
Vice President

enc.
mk

ATTACHMENT A

500B971, Sheet 140, Sub. 8
141, Sub. 7
151, Sub. 1
152, Sub. 3
160, Sub. 5
172, Sub. 1



AUTO OPEN (MONITOR LIGHT-OPEN)

FIGURE #18

4. USE 3340 ON STEM MTD. LIMIT SW. #2 FOR VLV. 894C.

VALVE SHOWN IN FULL OPEN POSITION

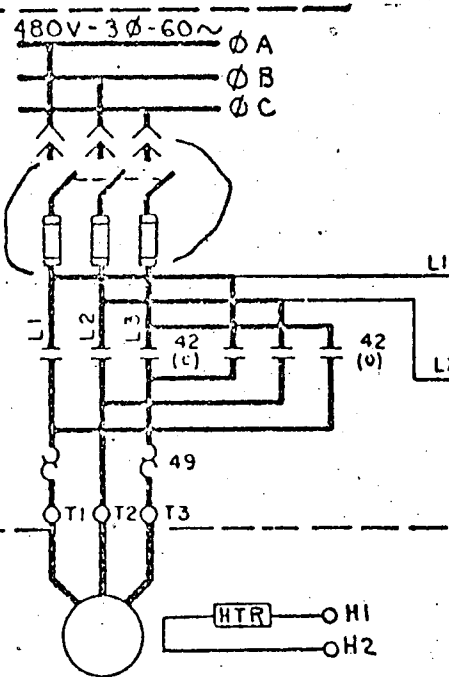
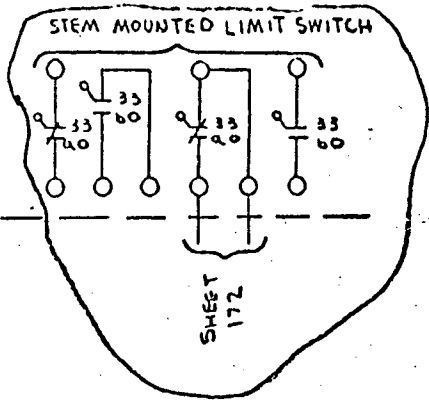
- NOTE:
1. WIRE DESIGNATIONS ARE TO BE PREFIXED WITH VALVE NO.
 2. LETTER (A) ETC. REFERS TO CABLE SCHEMATIC.
 3. STEM MOUNTED LIMIT SWITCH #2 AND #3 ON VALVE 894C ONLY.

8	7	6	5	4	3	2	1
ECN-9678 W.C.D. 11-20-73 11-20-73 11-20-73	ECN-9576 W.C.D. 11-20-72 11-20-72 11-20-72	ECN-9551 S.G. 9-15-71 9-15-71 9-15-71	ECN-7171 L.C. 7-3-71 7-3-71 7-3-71	ECN-6551 S.S. 11-12-70 11-12-70 11-12-70	ECN-6325 PARKER 6-11-70 6-11-70 6-11-70	ECN-6325 PARKER 6-11-70 6-11-70 6-11-70	SO. INT. 395

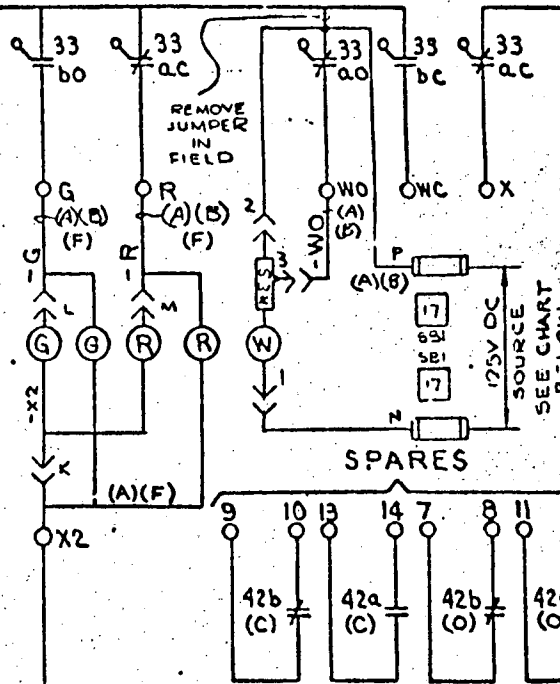
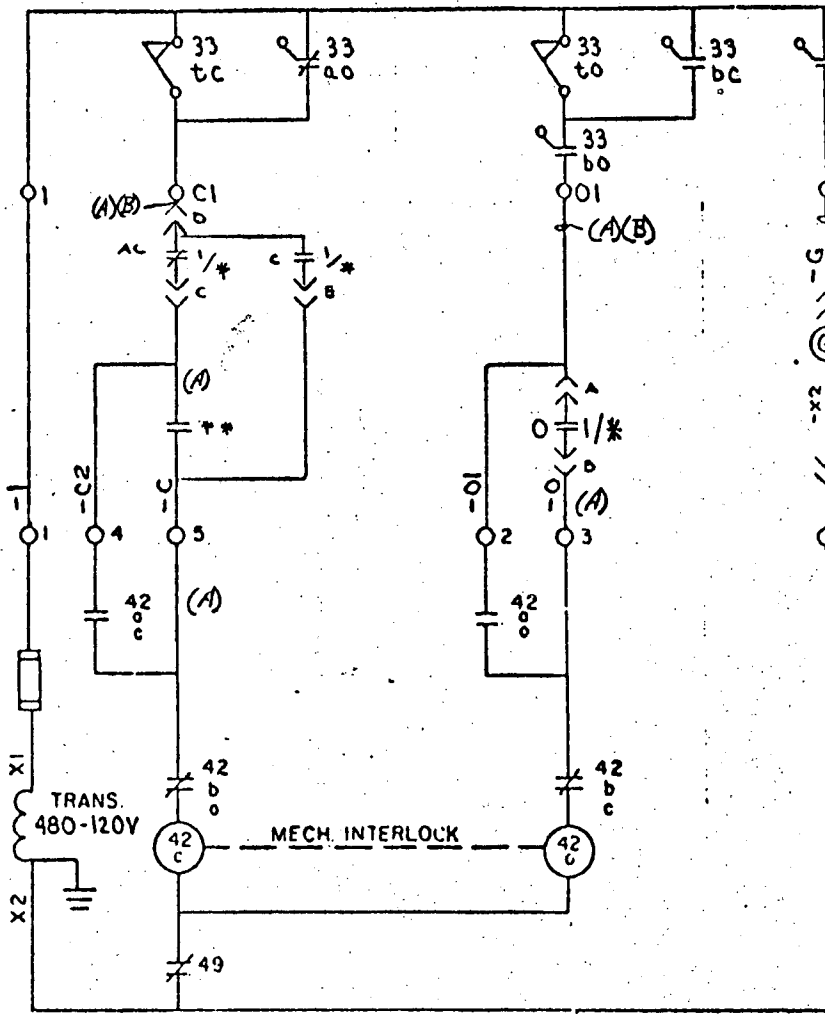
Westinghouse Electric Corporation	
TITLE: CONSOLIDATED EDISON CO	
INDIAN POINT STATION-UNIT #93	
ELEMENTARY WIRING DIAG	MOTOR OPERATED VALV
500B97	SHEET-140
ATOMIC POWER DIV., PITTSBURGH, PA.	

REMOTE CONTROL VALVE

MOTOR CONTROL CENTER



(B)



DC PNL 31 CKT 3	DC PNL 32 CKT 6
V744	V852
V1810	

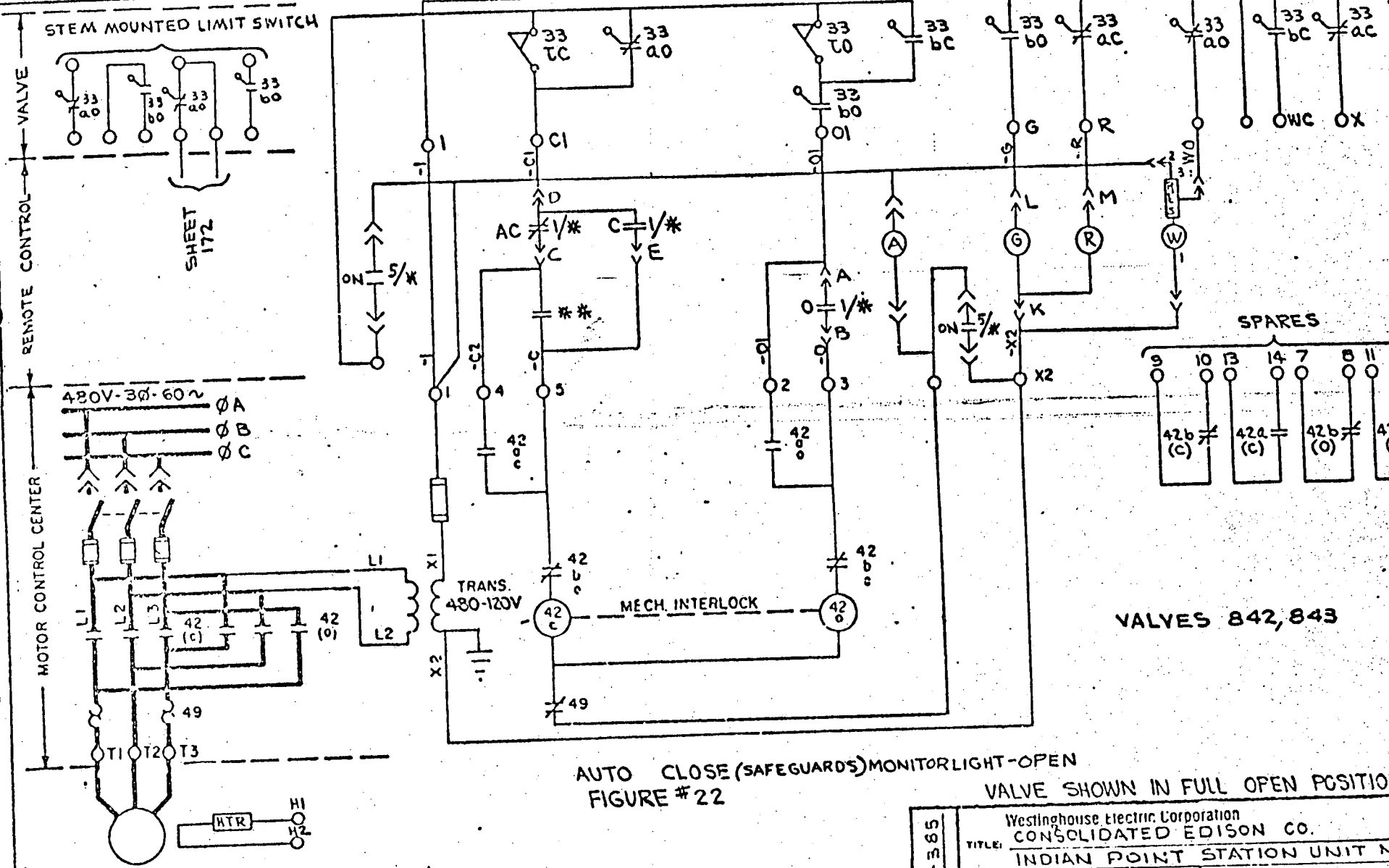
AUTO CLOSE(SAFEGUARDS) MONITOR LIGHT- OPEN
FIGURE # 17

VALVE SHOWN IN FULL OPEN POSITION

NOTE:
1. WIRE DESIGNATIONS ARE TO BE PREFIXED WITH VALVE NO.
2. LETTER (A) ETC. REFERS TO CABLE SCHEMATIC.

7	6	5	4	3	2	1
ECN-20407 W.C.D. 3-7-73 W.C.D. 3-7-73 W.C.D. 3-7-73	ECN-20407 W.C.D. 3-7-73 W.C.D. 3-7-73 W.C.D. 3-7-73	ECN-9678 W.C.D. 3-7-73 W.C.D. 3-7-73 W.C.D. 3-7-73	ECN-8051 W.C.D. 3-7-73 W.C.D. 3-7-73 W.C.D. 3-7-73	ECN-3047 W.C.D. 3-7-73 W.C.D. 3-7-73 W.C.D. 3-7-73	ECN-20407 W.C.D. 3-7-73 W.C.D. 3-7-73 W.C.D. 3-7-73	ECN-20407 W.C.D. 3-7-73 W.C.D. 3-7-73 W.C.D. 3-7-73

Westinghouse Electric Corporation	
TITLE: CONSOLIDATED EDISON CO.	
INDIAN POINT STATION- UNIT NO. 3	
ELEMENTARY WIRING DIAG. MOTOR OPERATED VAL	
500B97	
SHEET- 141	
ATOMIC POWER DIV.,	PITTSBURGH, PA. U.S.A.

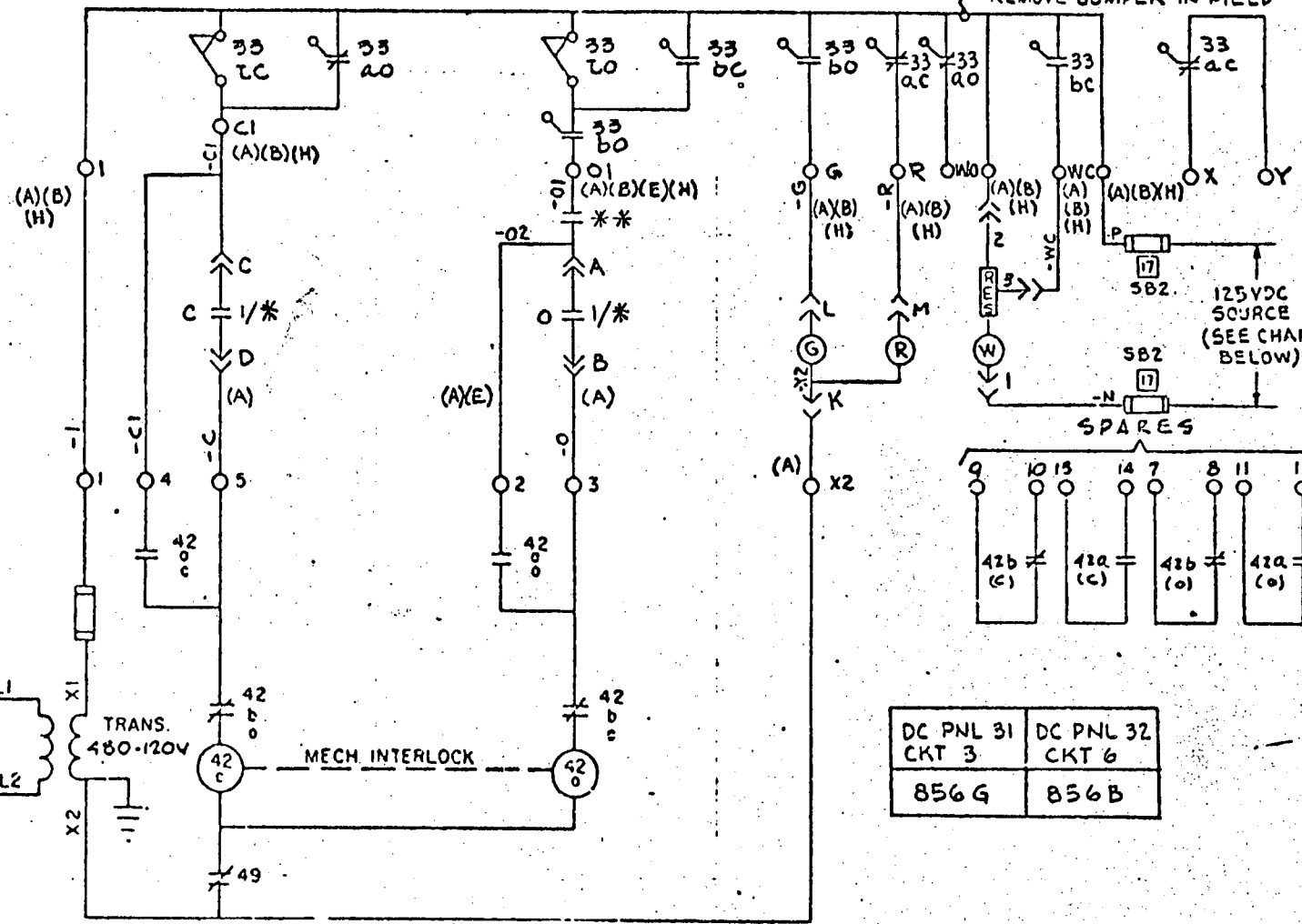
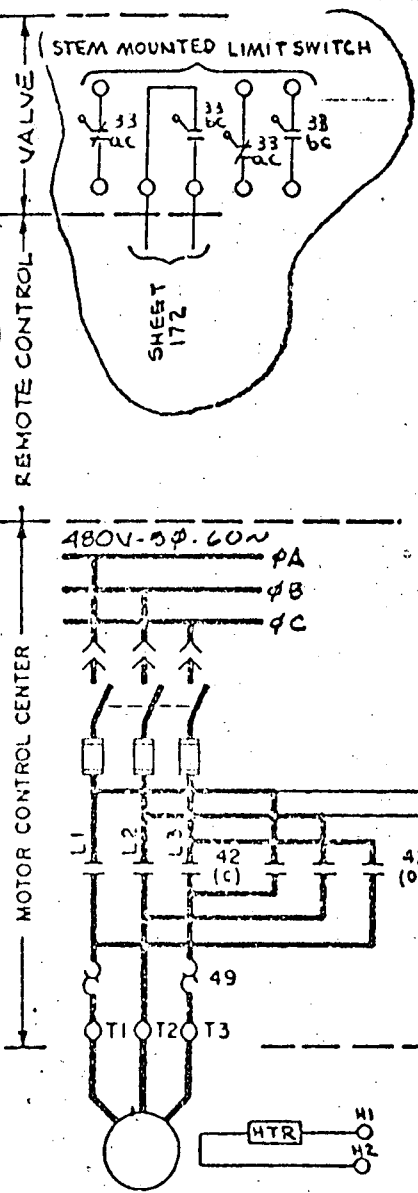


AUTO CLOSE (SAFEGUARDS) MONITOR LIGHT-OPEN
FIGURE # 22

VALVES 842, 843

NOTE:
1. WIRE DESIGNATIONS ARE TO BE PREFIXED WITH VALVE NO.
2. LETTER (A) ETC. REFERS TO CABLE SCHEMATIC

S.O. INT-385	Westinghouse Electric Corporation			500B9
	CONSOLIDATED EDISON CO.			
SUB	INDIAN POINT STATION UNIT N			SHEET-151
	ELEMENTARY WIRING DIAG MOTOR OPERATED VA			
1	Sub	76		
	Hyg	77b		
ATOMIC POWER DIV.				PITTSBURGH, PA.



MANUAL OPERATED - PERMISSIVE TO OPEN
MONITOR LIGHT - CLOSED

FIGURE # 21

DC PNL 31 CKT 3	DC PNL 32 CKT 6
856 G	856 B

ECN-70128

VALVE SHOWN IN FULL OPEN POSITION

- NOTE:
1. WIRE DESIGNATION ARE TO BE PREFIXED WITH VALVE NO.
 2. LETTER (A) ETC. REFERS TO CABLE SCHEMATIC.

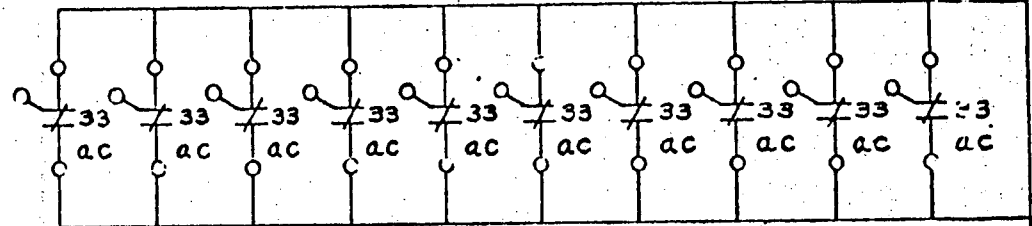
ECN-30399 1-10-76 3-3-76	ECN-30407 P. HEARN 4-27-76 3-2-76	S.O. INT-385	Westinghouse Electric Corporation TITLE: CONSOLIDATED EDISON CO. INDIAN POINT STATION - UNIT # 3 ELEMENTARY WIRING DIAG. MOTOR OPERATED VALVE		500B971 SHEET - 152
3	2	1 SUB	W.C. DEAN 3-6-74	3-6-74	
ATOMIC POWER DIV.			PITTSBURGH, PA. U.S.A.		

SAFE GUARDS
VALVE OFF
NORMAL POSITION

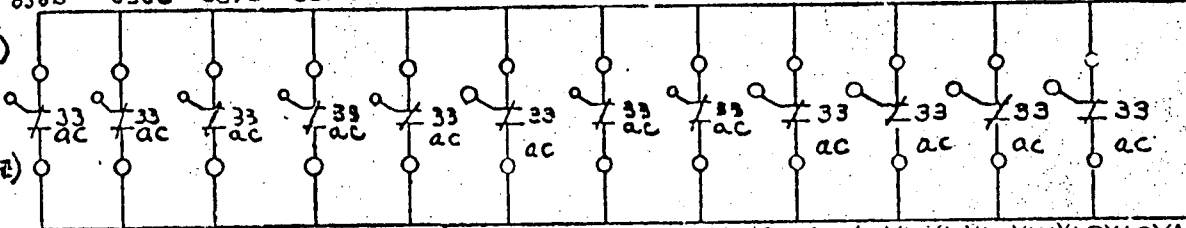
74-RV8-P
(A)(B)(C)(F)(AC)(AD)(AE)(AF)(AG)(AH)(AJ)(AK)(AL)(AM)
(AN)(AP)(AQ)(AR)(AS)(AT)(AU)(AV)(AW)(AX)(AY)(AZ)(SA)
(BB)(BC)(BD)(BE)(M)(BA)(BQ)(BS)(BX)

ALP(A)(B)(C)(D)(BQ)

VALVE NO. → 885A 885B 1802A 1802B 880A 880B 880C 880D 880E 880F



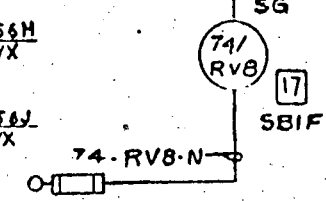
856B 856G 889B 889A 883 1513 888B 888A 880K 880J 880H 880G



74-RV8-P1
SG
(A)(B)(C)(F)(AC)(AD)(AE)(AF)(AG)(AH)(AJ)(AK)(AL)(AM)(AN)(AP)(AQ)(AR)(AX)
(AU)(AV)(AW)(AX)(AY)(AZ)(BA)(BB)(BC)(BD)(BE)(M)(BA)(BQ)(BS)

NOTES:

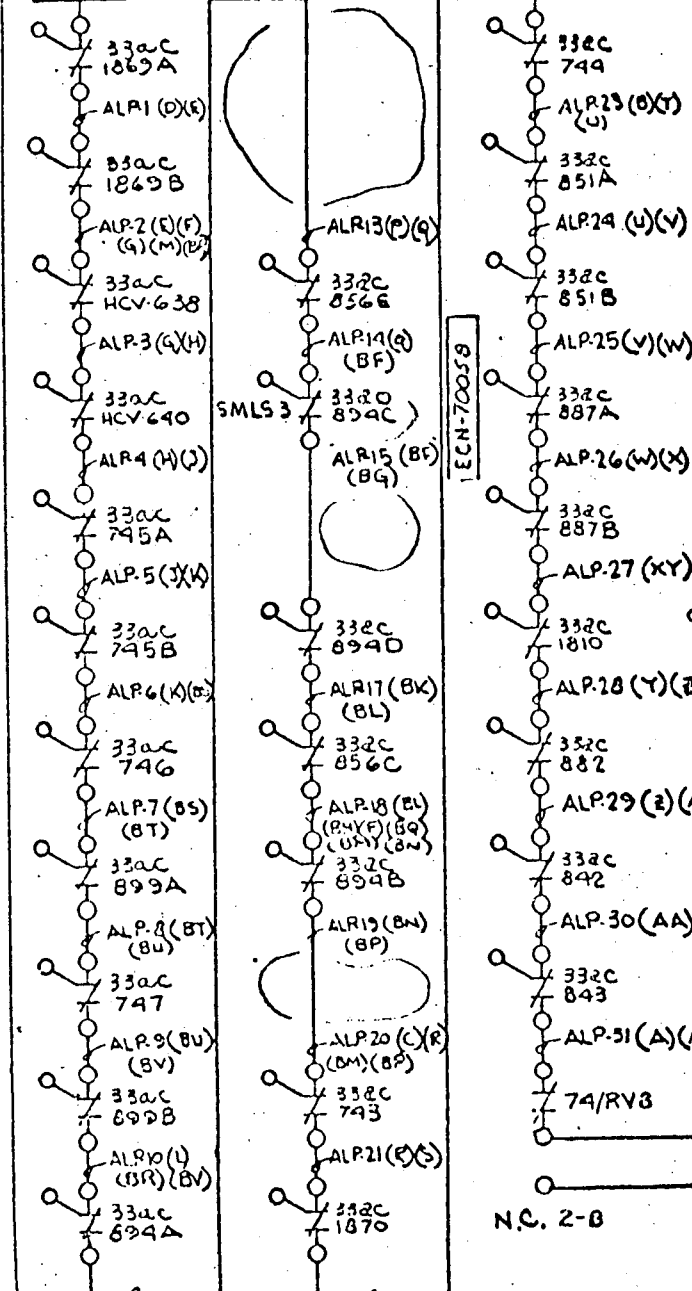
NO-TROUBLE CONTACT NORMALLY OPEN
NC-TROUBLE CONTACT NORMALLY CLOSED
(NUMBER INDICATES WINDOW NUMBER)
REF LAYOUT DWG 109D315
LETTER (A) ETC REFERS TO CABLE SCHEMATIC
DWG. 9321-U-31343 SHTS. 160A, 160B & 160C



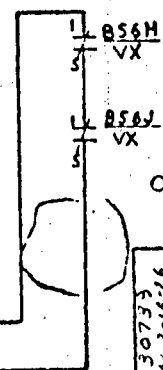
SO INT. 385

Westinghouse Electric Corporation
TITLE: CONSOLIDATED EDISON CO.
INDIAN POINT STATION UNIT NO. 3
ELEMENTARY WIRING DIAG. ANNUNCIATOR PANEL

REC. CRALLE 3370
500B9
SHEET-160



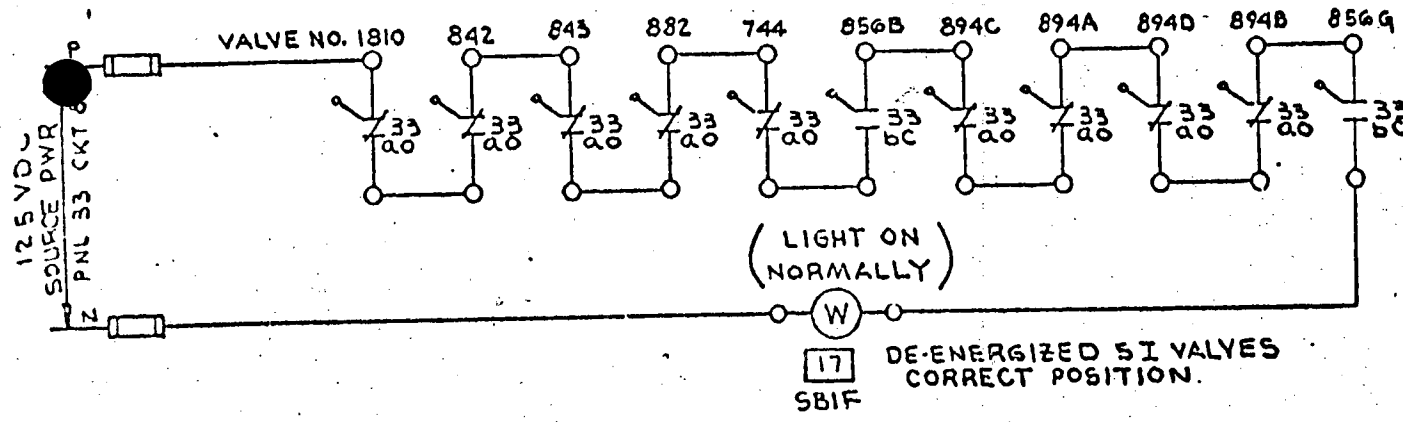
ECN-7005B



N.C. 2-B

ECN-3017 2-1-74 3-3-74 3-3-74	ECN-9557 CABLES BARRICLED 2-25-72 2-25-72 2-25-72 2-25-72	ECN-7665 2-4-74 2-4-74 2-4-74 2-4-74	ECN-1161 2-4-74 2-4-74 2-4-74 2-4-74	ECN-1161 2-4-74 2-4-74 2-4-74 2-4-74	ECN-1161 2-4-74 2-4-74 2-4-74 2-4-74
5	6	7	8	9	10

500B9
SHEET 172



NOTE:
ALL LIMIT SWITCH CONTACTS FROM A STEM MOUNTED LIMIT SWITCH.

CHANGE

WHITE BACKGROUND OF PRINTS INDICATED FULLY APPROVED BY ENGINEER.
GREEN BACKGROUND OF PRINTS INDICATES WORK IN PROGRESS. GREEN PRINTS ARE NOT AUTHORIZED FOR CONSTRUCTION USE.

DFTM.	<i>Earle</i>	1-10-76
CHKD.		
CES. ENG.	<i>J. Hayes</i>	3/5/76
MFG. ENG.		
Mtls. ENG.		
APP.		
APP.		
APP.		
DFTO. SUPV.	<i>O. Neal</i>	3-3-76

Westinghouse Electric Corporation	
NUCLEAR ENERGY SYSTEMS, PITTSBURGH, PA., U.S.A.	
TITLE: CONSOLIDATED EDISON CO.	
INDIAN POINT STATION-UNIT 1	
S.I. VALVES POSITION LIGHT	
SCALE	500B97
DIMENSIONS IN INCHES	SHEET 172
DO NOT SCALE	SUB 1