

William J. Cahill, Jr.
Vice President

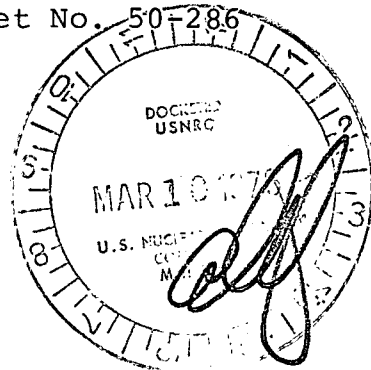
Consolidated Edison Company of New York, Inc.
4 Irving Place, New York, N Y 10003
Telephone (212) 460-3819



March 8, 1976

Re Indian Point Unit No. 3
Docket No. 50-286

Director of Nuclear Reactor Regulation
Attn: Mr. Dominic B. Vassallo
Light Water Reactor Branch No. 5
Division of Project Management
U. S. Nuclear Regulatory Commission
Washington, D. C. 20555



Dear Mr. Vassallo

Paragraph 3.3.A.3 of the proposed full-power Technical Specifications transmitted to you by letter dated January 29, 1976 identifies certain valves (744, 842, 843, 856B and G, 882, 894A, B, C & D, and 1810) which must be de-energized in order to meet the single failure criterion.

In accordance with NRC Branch Technical Position EICSB 18, the valves listed above will be provided with redundant position indication in the control room which in itself meets the single failure criterion. The existing indication systems will be supplemented with an independent status light system. The new status light system consists of separate limit switches mounted on each valve stem and cables routed in dedicated conduit separate from the existing raceway system. Within the control panel, the power supply (Circuit 8 on d.c. power panel 33) and the alarm chain will be routed in flexible ("sealtite") conduit into a spare module where the status light will be mounted.

In addition, since the operator for Valve 894C is assumed to be submerged following a postulated loss-of-coolant accident, both its existing bright/dim white light circuit and annunciator alarm circuit which provides audible indication will be disconnected from the valve operator and reconnected to new limit switches mounted above the calculated water level (El. 50'-1½") inside containment. The limit switch for the new status light system is also mounted above the calculated water level. These new limit

8111120180 760308
PDR ADOCK 05000286
P PDR

2432

Domenic B. Vassallo
Nuclear Regulatory Comm.

-2-

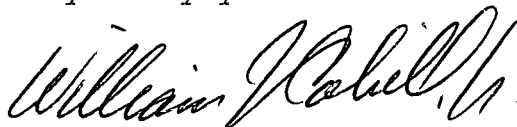
March 8, 1976

Re Indian Point Unit No. 3
Docket No. 50-286

switches will be actuated by travel of the valve stem. A separate limit switch is provided for each circuit.

A listing of those electrical schematics affected by these changes is delineated in Attachment A. Forwarded herewith are seven (7) copies of finalized versions of those schematics listed in Attachment A.

Very truly yours

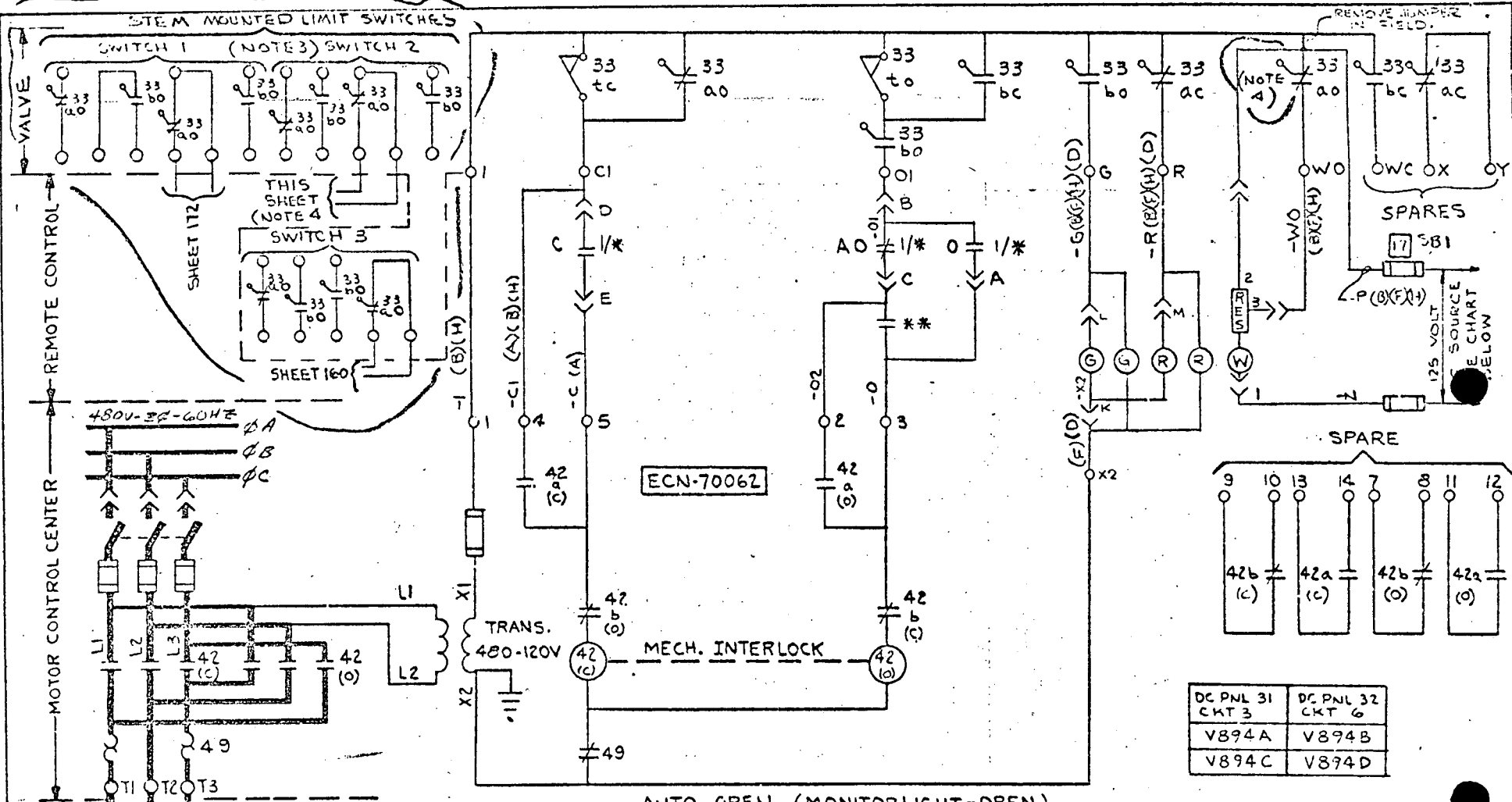


William J. Cahill, Jr.
Vice President

enc.
mk

ATTACHMENT A

500B971, Sheet 140, Sub. 8
141, Sub. 7
151, Sub. 1
152, Sub. 3
160, Sub. 5
172, Sub. 1



AUTO OPEN (MONITOR LIGHT-OPEN)

FIGURE #16

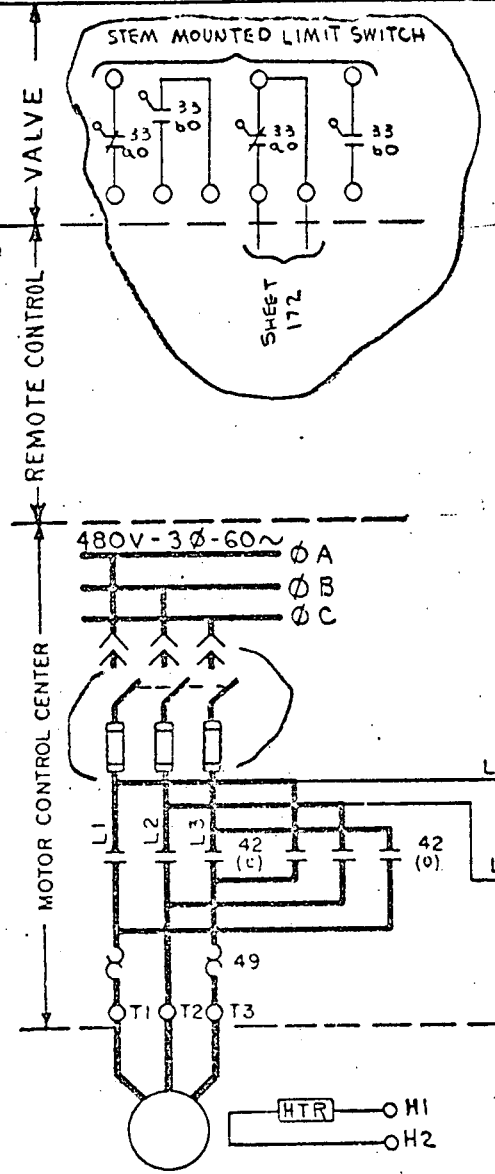
4. USE 3340 ON STEM MTD. LIMIT SW. #2 FOR VLV. 894C.

VALVE SHOWN IN FULL OPEN POSITION

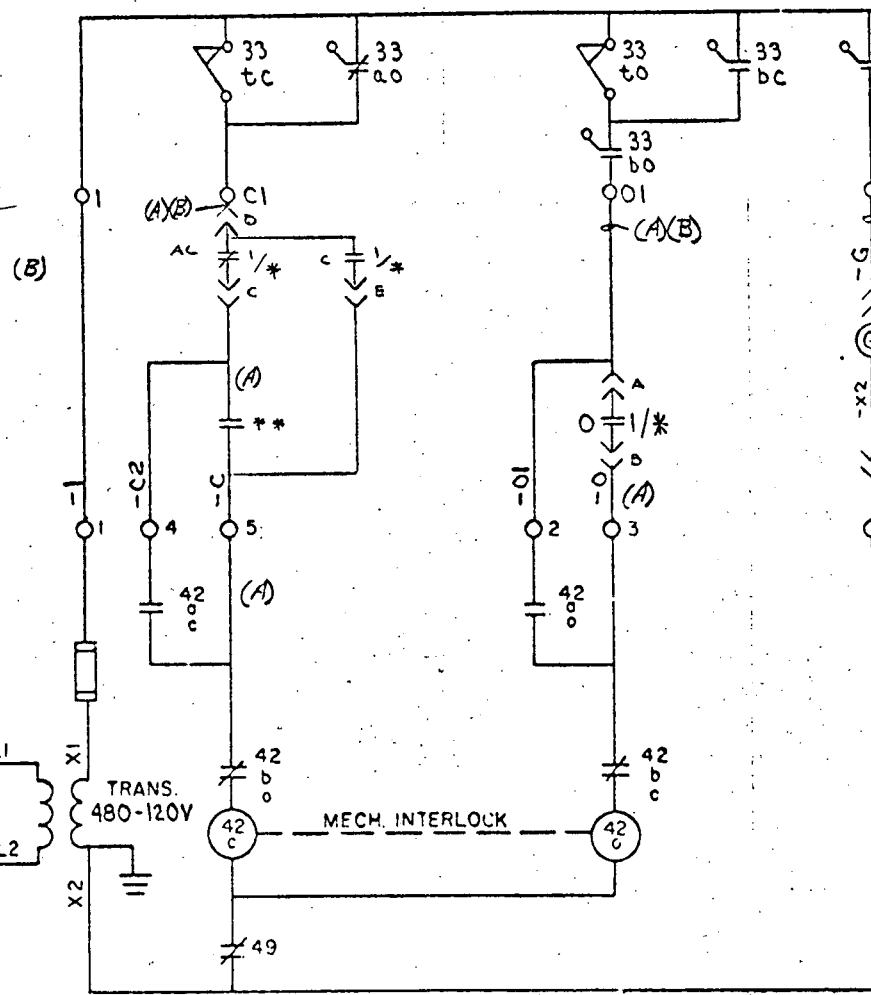
- NOTE:
1. WIRE DESIGNATIONS ARE TO BE PREFIXED WITH VALVE NO.
 2. LETTER (A) ETC. REFERS TO CABLE SCHEMATIC.
 3. STEM MOUNTED LIMIT SWITCH #2 AND #3 ON VALVE 894C ONLY.

8	7	6	5	4	3	2	1
ECN-30773 W.C.D. 3-12-73 W.C.D. 3-14-73 W.C.D. 3-14-73	ECN-9678 W.C.D. 3-12-73 W.C.D. 3-14-73 W.C.D. 3-14-73	ECN-9576 W.C.D. 11-20-72 W.C.D. 4-2-73 W.C.D. 11-20-72	ECN-8051 J.G. 9-15-71 W.C.D. 9-21-71 W.C.D. 9-21-71	ECN-7161 J.G. 3-9-71 L.R. 7-7-71 W.C.D. 4-2-71	ECN-6351 W.C.D. 11-20-70 W.C.D. 11-20-70 W.C.D. 11-20-70	ECN-6325 PARKER 6-11-70 W.C.D. 6-11-70 W.C.D. 6-11-70	S.O. INV. 385

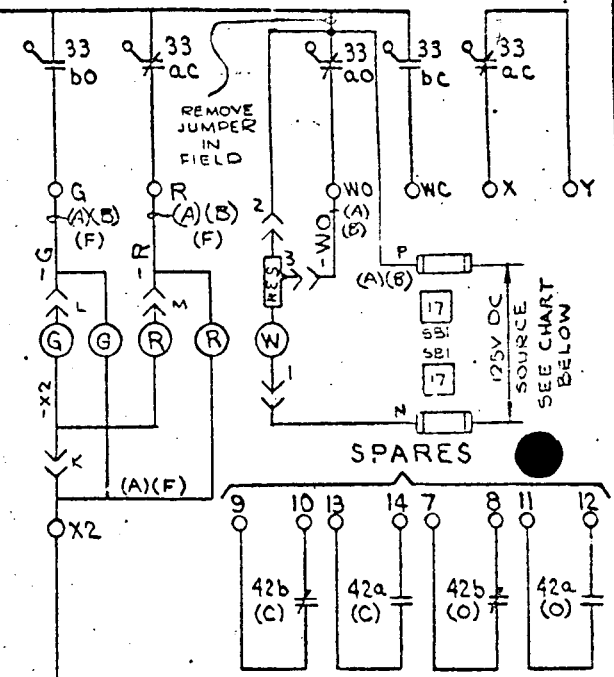
Westinghouse Electric Corporation			
TITLE: CONSOLIDATED EDISON CO			
INDIAN POINT STATION-UNIT #23			
ELEMENTARY WIRING DIAG		MOTOR OPERATED VALVE	
M. H. 112-120-10-11-12-13-14-15-16-17-18-19-20-21-22-23-24-25-26-27-28-29-30-31-32-33-34-35-36-37-38-39-40-41-42-43-44-45-46-47-48-49-50-51-52-53-54-55-56-57-58-59-60-61-62-63-64-65-66-67-68-69-70-71-72-73-74-75-76-77-78-79-80-81-82-83-84-85-86-87-88-89-90-91-92-93-94-95-96-97-98-99-100		500B971	
SHEET-140		PITTSBURGH, PA., U.S.A.	



NOTE:
 1. WIRE DESIGNATIONS ARE TO BE PREFIXED WITH VALVE NO.
 2. LETTER (A) ETC. REFERS TO CABLE SCHEMATIC.



AUTO CLOSE (SAFEGUARDS) MONITOR LIGHT-OPEN
 FIGURE # 17

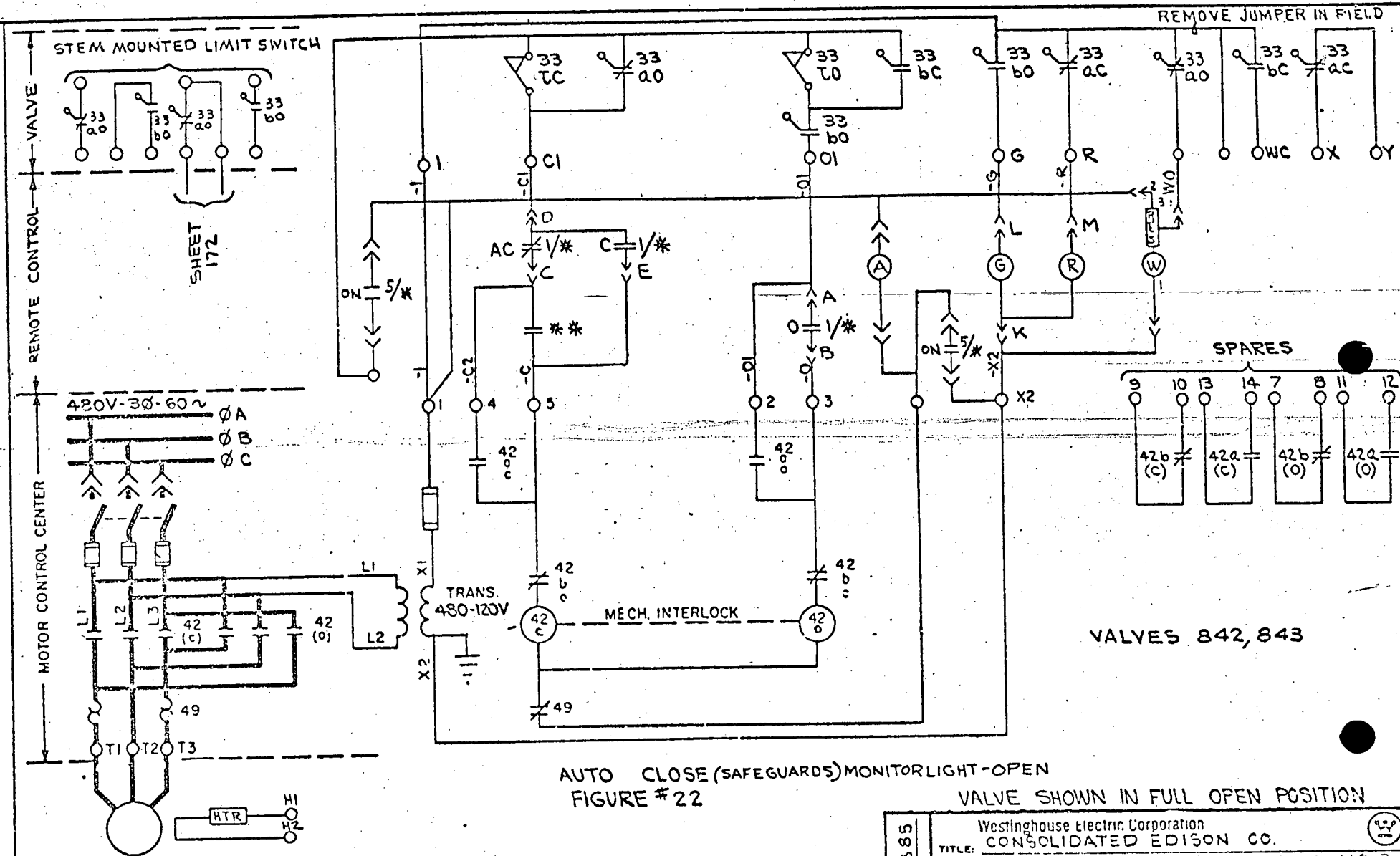


DC PNL 31	DC PNL 32
CKT 3	CKT 6
V744	V88Z
V1810	

VALVE SHOWN IN FULL OPEN POSITION

7	6	5	4	3	2	1
ECN-3078 W.C.D. 3-7-73 W.C.D. 3-4-73 W.C.D. 3-10-73	ECN-20407 PHEARN 2-27-74 W.C.D. 8-6-74 W.C.D. 2-27-76	ECN-9678 W.C.D. 3-7-73 W.C.D. 3-4-73 W.C.D. 3-10-73	ECN-6051 W.C.D. 3-15-71 W.C.D. 3-21-71 W.C.D. 9-22-71	ECN-2767 W.C.D. 1-6-71 W.C.D. 3-11-71	ECN-6051 W.C.D. 3-15-71 W.C.D. 3-21-71 W.C.D. 9-22-71	ECN-6051 W.C.D. 3-15-71 W.C.D. 3-21-71 W.C.D. 9-22-71

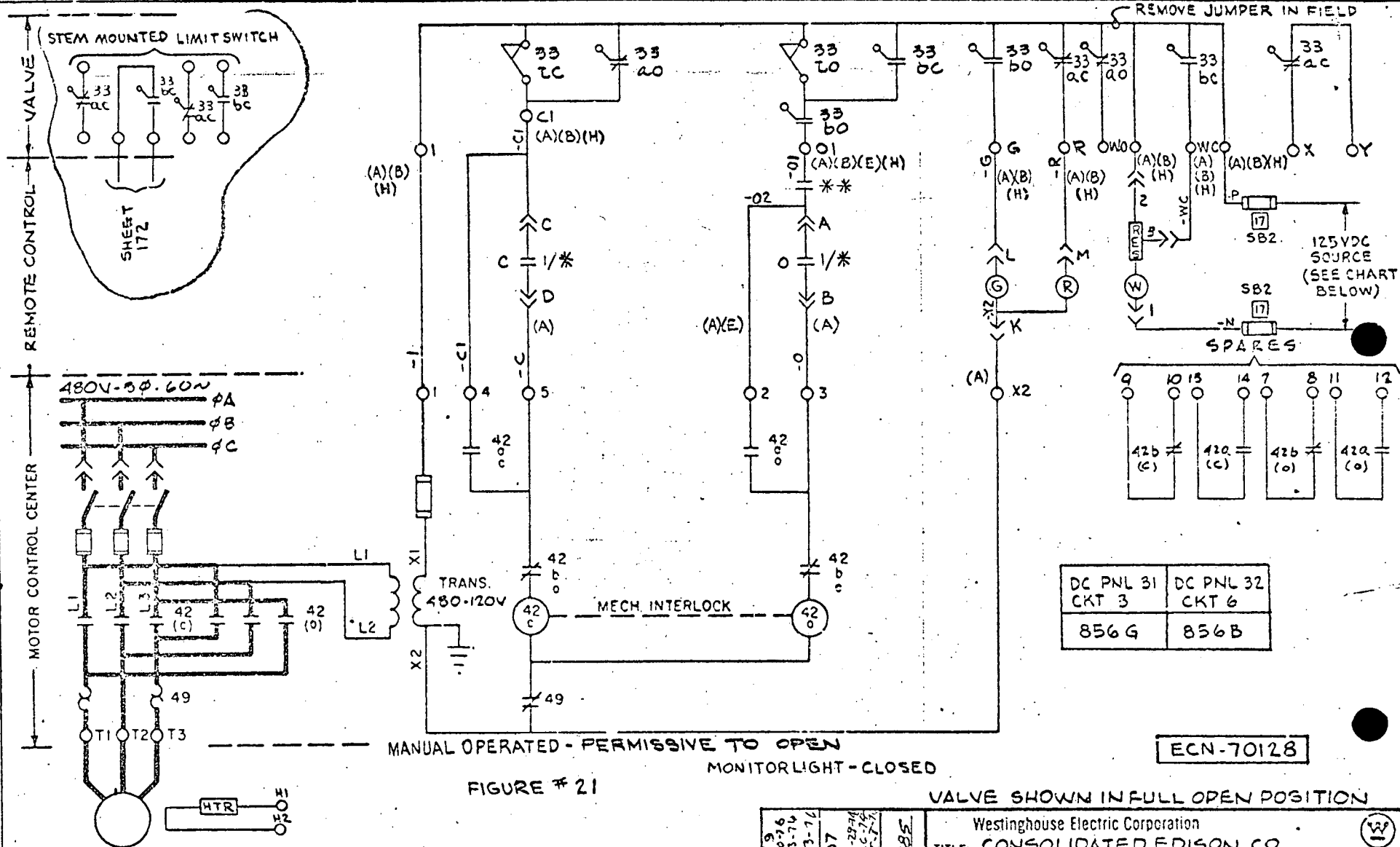
Westinghouse Electric Corporation
 CONSOLIDATED EDISON CO.
 TITLE: INDIAN POINT STATION - UNIT NO. 3
 ELEMENTARY WIRING DIAG. MOTOR OPERATED VALVE
 M. NADERCHAK 2.8.64
 500B971
 SHEET- 141
 ATOMIC POWER DIV., PITTSBURGH, PA., U.S.A.



AUTO CLOSE (SAFEGUARDS) MONITOR LIGHT - OPEN
FIGURE # 22

NOTE:
1. WIRE DESIGNATIONS ARE TO BE PREFIXED WITH VALVE NO.
2. LETTER (A) ETC. REFERS TO CABLE SCHEMATIC

SUB S.O. INT-385	Westinghouse Electric Corporation			
	TITLE: CONSOLIDATED EDISON CO.			
	INDIAN POINT STATION UNIT NO. 3			
	ELEMENTARY WIRING DIAG. MOTOR OPERATED VALVE			
	<i>Suber</i>	<i>7/26</i>		500B971
	<i>Thayer</i>	<i>7/27</i>		
1	ATOMIC POWER DIV.		SHEET-151	
			PITTSBURGH, PA. U.S.A.	



DC PNL 31 CKT 3	DC PNL 32 CKT 6
856 G	856 B

ECN-70128

MANUAL OPERATED - PERMISSIVE TO OPEN
MONITORLIGHT - CLOSED

FIGURE # 21

- NOTE:
1. WIRE DESIGNATION ARE TO BE PREFIXED WITH VALVE NO.
 2. LETTER (A) ETC. REFERS TO CABLE SCHEMATIC.

VALVE SHOWN IN FULL OPEN POSITION

ECN-30739 3-3-76 3-3-76		ECN-30407 P. HEARN 4-25-74 3-6-74		S.O. INT-385		Westinghouse Electric Corporation		
TITLE: CONSOLIDATED EDISON CO. INDIAN POINT STATION - UNIT # 3						ELEMENTARY WIRING DIAG. MOTOR OPERATED VALVE.		
3		2		SUB		W.C. DEAN 3-6-74		500B971
						SHEET - 152		
ATOMIC POWER DIV.						PITTSBURGH, PA., U.S.A.		

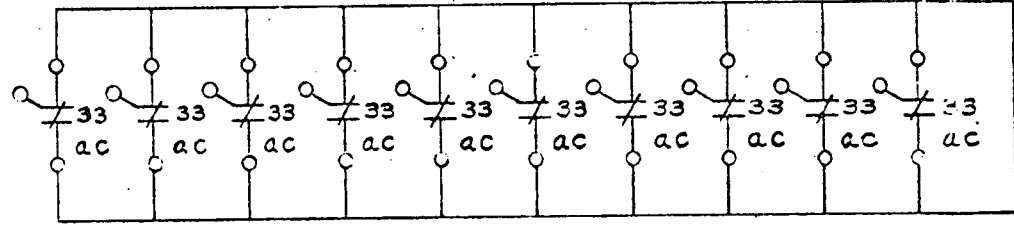
DC DISTR. PNL.
32 CKT-6

SAFE GUARDS
VALVE OFF
NORMAL POSITION

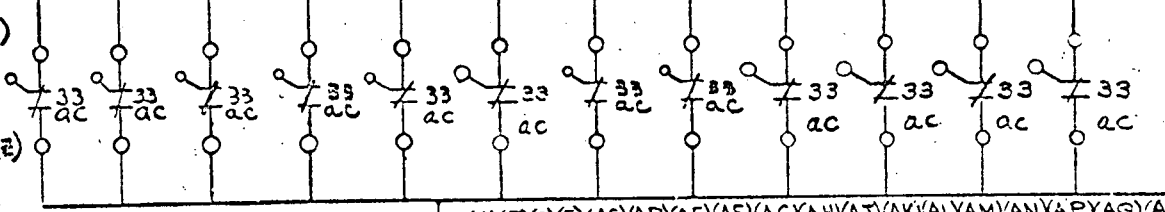
74-RV8-P

(A)(B)(C)(F)(AC)(AD)(AE)(AF)(AG)(AH)(AJ)(AK)(AL)(AM)
(AN)(AP)(AQ)(AR)(AS)(AT)(AU)(AV)(AW)(AX)(AY)(AZ)(BA)
(BB)(BC)(BD)(BE)(M)(BR)(BQ)(BS)(BX)

VALVE NO. → 885A 885B 1802A 1802B 880A 880B 880C 880D 880E 880F



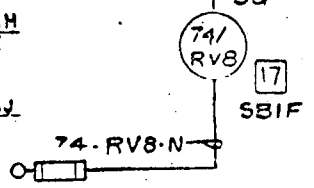
856B 856G 889B 889A 883 1813 888B 888A 880K 880J 880H 880G



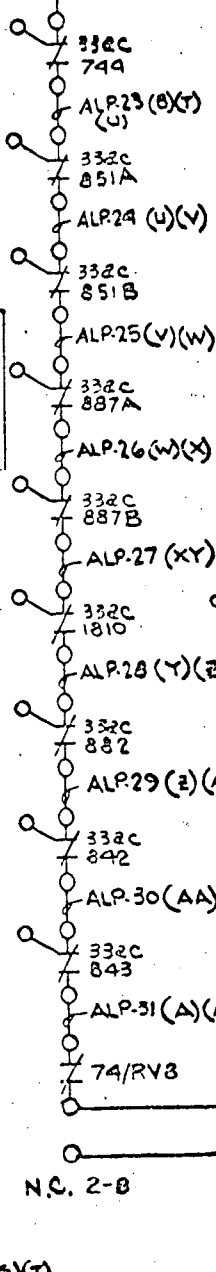
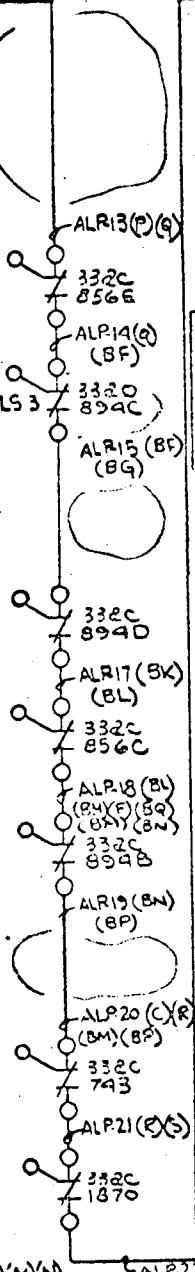
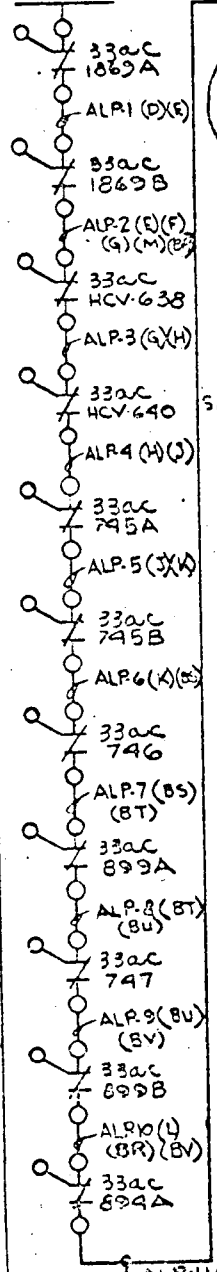
74-RV8-PI (X)(B)(C)(F)(AC)(AD)(AE)(AF)(AG)(AH)(AJ)(AK)(AL)(AM)(AN)(AP)(AQ)(AR)(AS)(AT)
(AU)(AV)(AW)(AX)(AY)(AZ)(BA)(BB)(BC)(BD)(BE)(M)(BR)(BQ)(BS)

NOTES:

NO-TROUBLE CONTACT NORMALLY OPEN.
NC-TROUBLE CONTACT NORMALLY CLOSED.
(NUMBER INDICATES WINDOW NUMBER)
REF LAYOUT DWG 10SD315
LETTER (A) ETC REFERS TO CABLE SCHEMATIC
DWG. 9321-LL-31243 SHTS. 160A, 160B & 160C



ALP(A)(B)(C)(D)(BQ)



ECN-7005B



N.C. 2-B

5	3	2	1
ECN-3075	ECN-9537	ECN-7665	ECN-1161
2-10-76	CHANGES BACK RECD	1-4-67	1-11-71
2-10-76	10-26-72	1-4-67	1-11-71
2-10-76	11-1-72	1-4-67	1-11-71
2-10-76	11-1-72	1-4-67	1-11-71
2-10-76	11-1-72	1-4-67	1-11-71
2-10-76	11-1-72	1-4-67	1-11-71
2-10-76	11-1-72	1-4-67	1-11-71
2-10-76	11-1-72	1-4-67	1-11-71
2-10-76	11-1-72	1-4-67	1-11-71
2-10-76	11-1-72	1-4-67	1-11-71

Westinghouse Electric Corporation

TITLE: CONSOLIDATED EDISON CO.
INDIAN POINT STATION UNIT NO.3

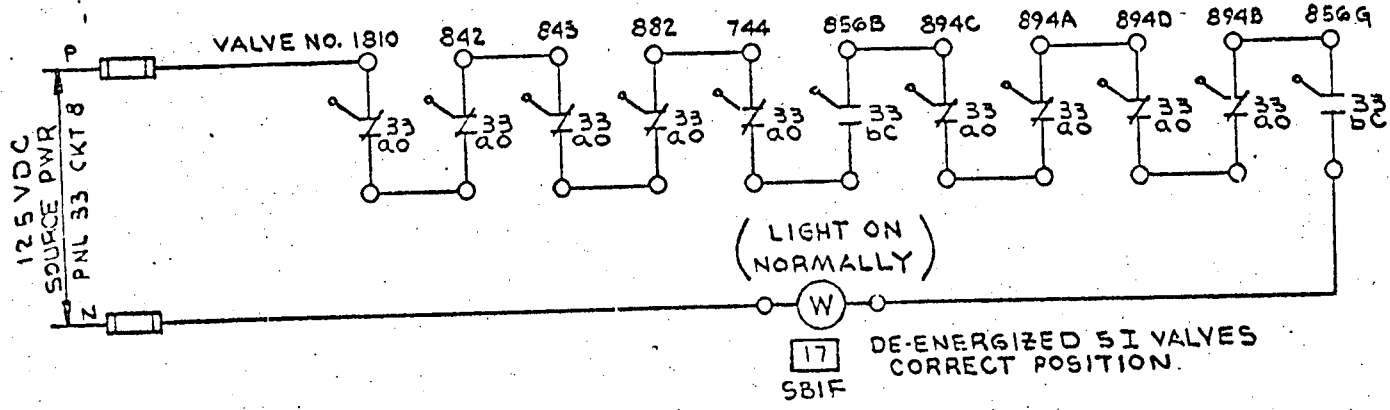
ELEMENTARY WIRING DIAG ANNUNCIATOR PANEL SBIF

RECALL# 3370

500B971

SHEET-160

ATOMIC POWER DIV. PITTSBURGH, PA., U.S.A.



NOTE:
1. ALL LIMIT SWITCH CONTACTS FROM A STEM MOUNTED LIMIT SWITCH.

1	CHANGE
80 INT-385	
863377	

<small>WHITE BACKGROUND OF PRINTS INDICATES FULLY APPROVED ENGINEERING. ACCESSING OF PRINTS FOR REVISIONS, UNLESS PRELIMINARY DESIGN, UNAPPROVED DRAWING, OR DRAWING NOT AUTHORIZED FOR CONSTRUCTION USE.</small>	DFTM.	<i>Barber</i>	1-70	Westinghouse Electric Corporation NUCLEAR ENERGY SYSTEMS, PITTSBURGH, PA., U.S.A. TITLE: CONSOLIDATED EDISON CO. INDIAN POINT STATION-UNIT NO. 3 S.I. VALVES POSITION LIGHT	
	CHKR.				
	DES. ENG.	<i>J. Hayes</i>	1/5/70		
	MFG. ENG.				
	MTLS. ENG.				
	APP.				
REF. DWG.	APP.			SCALE	500B971
	APP.			DIMENSIONS IN INCHES	SHEET 172
	DFTG. SUPV.	<i>Q. Neal</i>	3-3-70	DO NOT SCALE	SUB 1