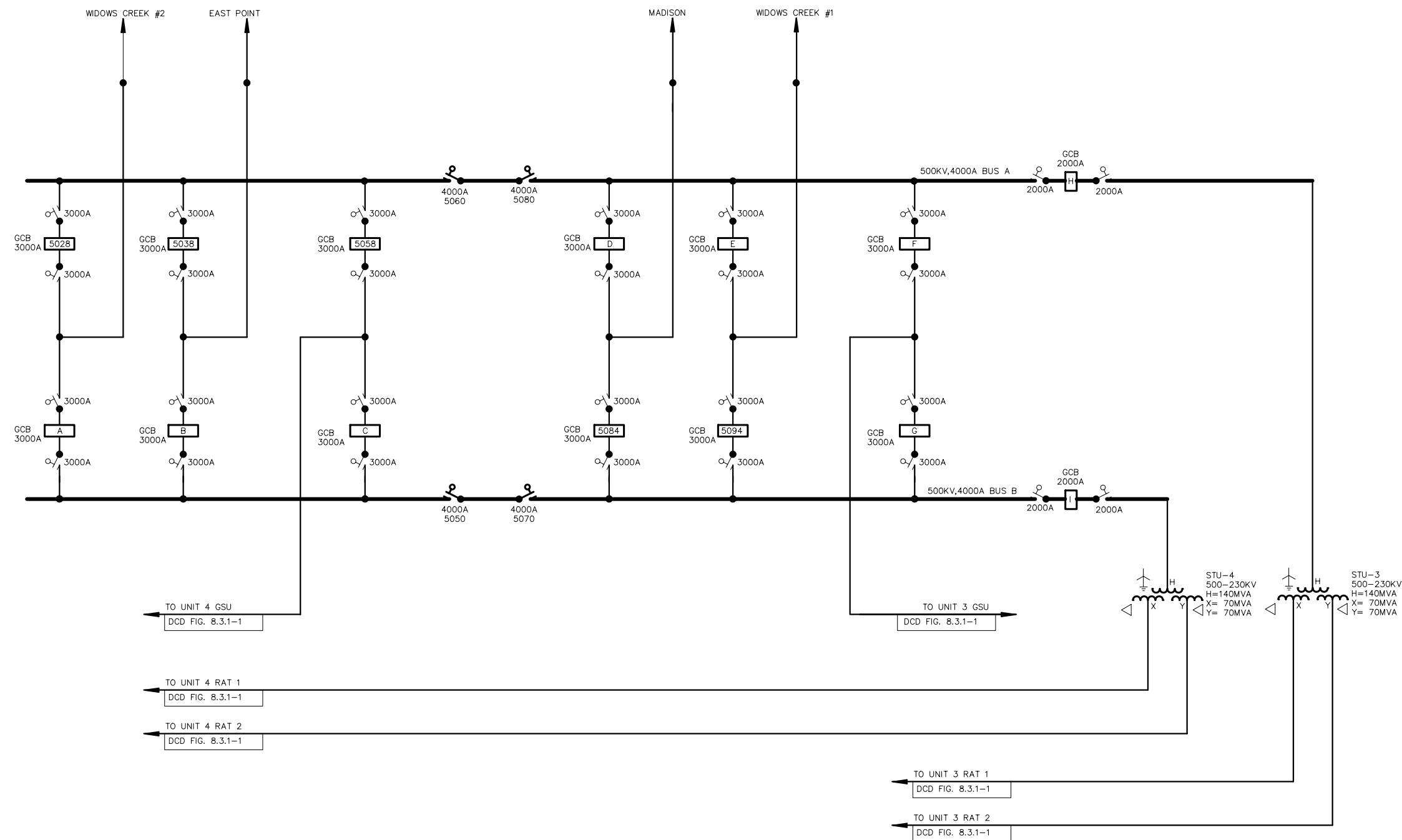


Bellefonte Nuclear Plant, Units 3 & 4  
 COL Application  
 Part 2, FSAR



**LEGEND**

- GCB - GAS INSULATED CIRCUIT BREAKER
- A - MOTOR OPERATED DISCONNECT SWITCH

**REFERENCE**

WESTINGHOUSE AP1000 DCD FIGURE 8.3.1-1 AC POWER STATION ONE LINE DIAGRAM