

Comanche Peak Nuclear Power Plant, Units 3 & 4  
COL Application  
Part 3 - Environmental Report

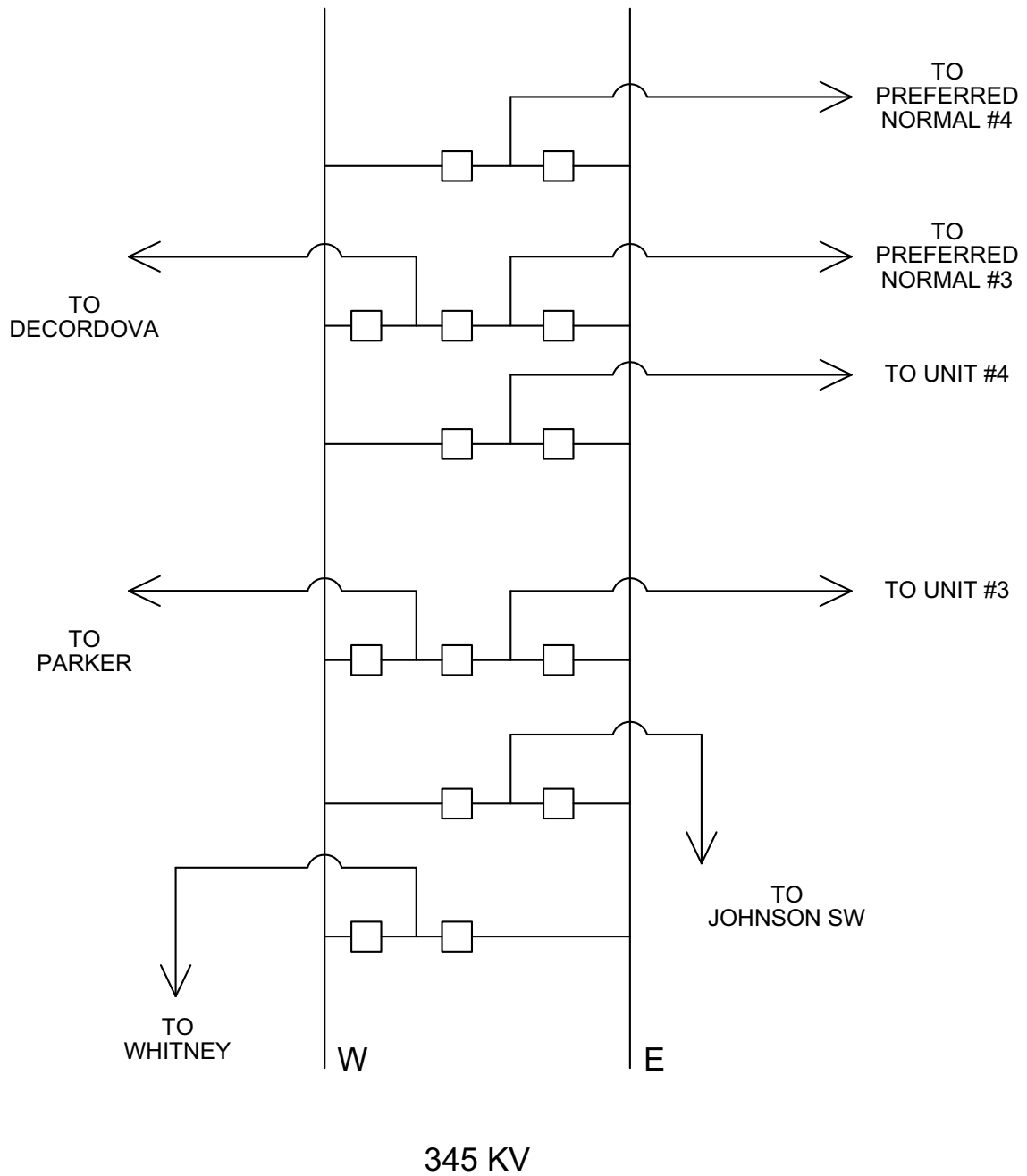


Figure 9.4-5 Switching Station