

Comanche Peak Nuclear Power Plant, Units 3 & 4
COL Application
Part 3 - Environmental Report

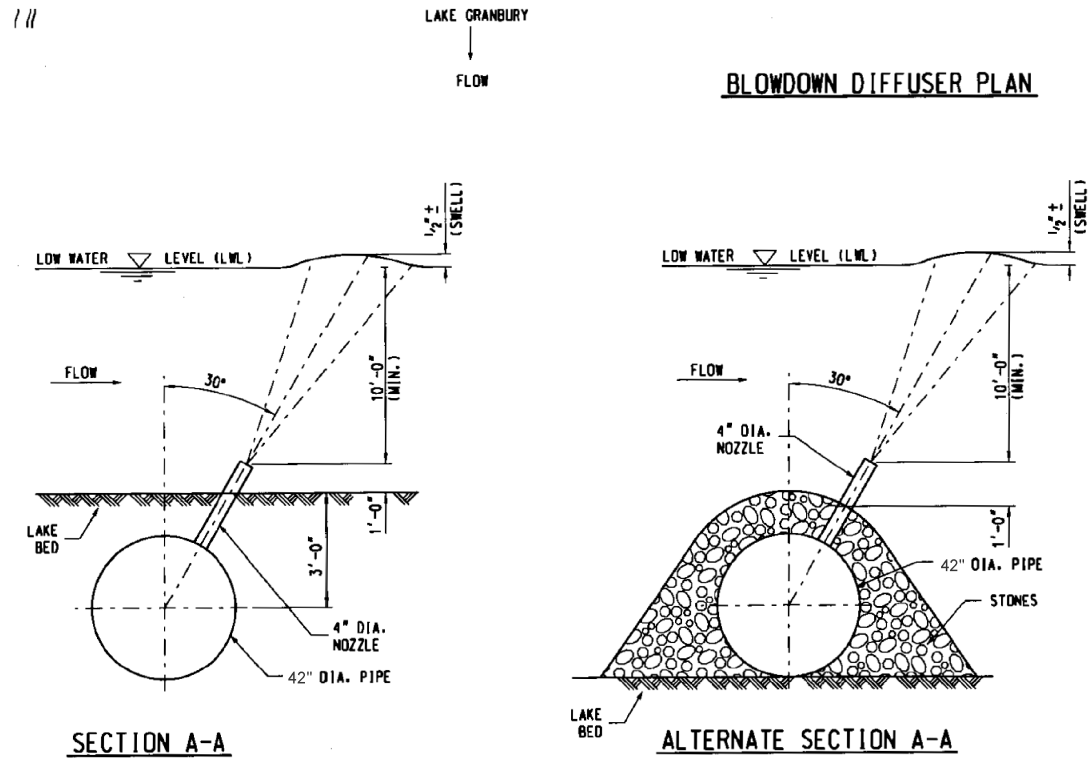


Figure 9.4-4 Proposed Multi-Fort Diffuser Discharge System