

**Comanche Peak Nuclear Power Plant, Units 3 & 4
COL Application
Part 3 - Environmental Report**

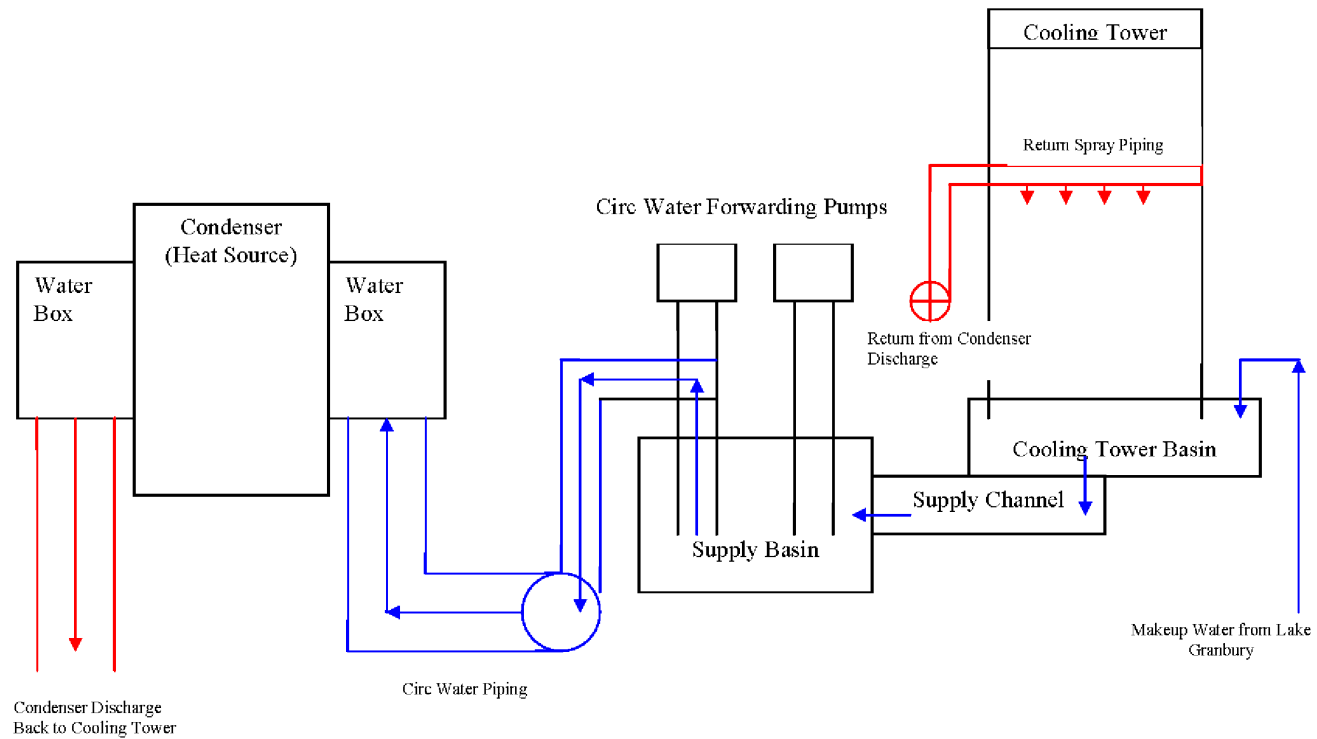


Figure 9.4-3 Proposed Cooling Water System, Closed Cycle Mechanical Draft (Wet) Cooling Tower