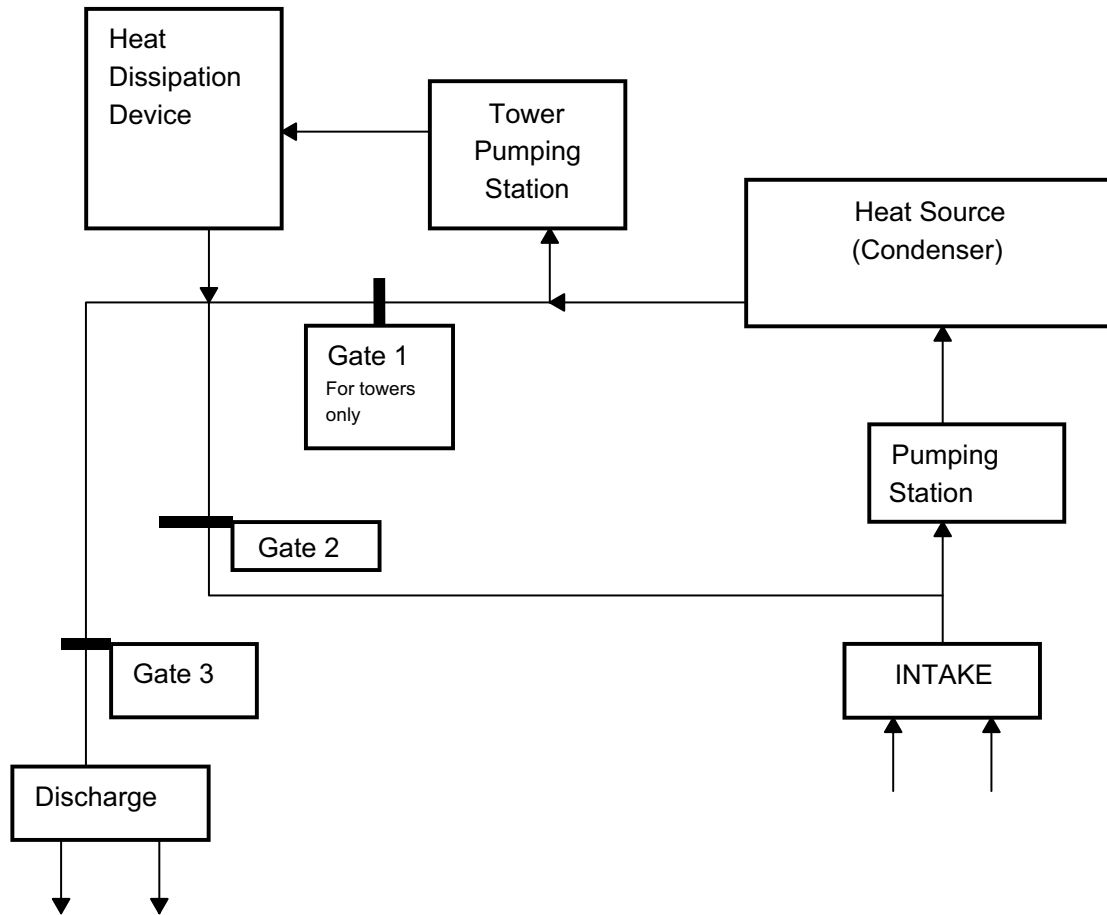


**Comanche Peak Nuclear Power Plant, Units 3 & 4
COL Application
Part 3 - Environmental Report**



Gate No.	1	2	3
Open Mode	Open	Closed	Open
Closed Mode	Closed	Open	Closed
Helper Mode	Closed	Closed	Open

Figure 9.4-2 Alternative Cooling System, Typical Combined Cooling System