

Comanche Peak Nuclear Power Plant, Units 3 & 4
 COL Application
 Part 3 - Environmental Report

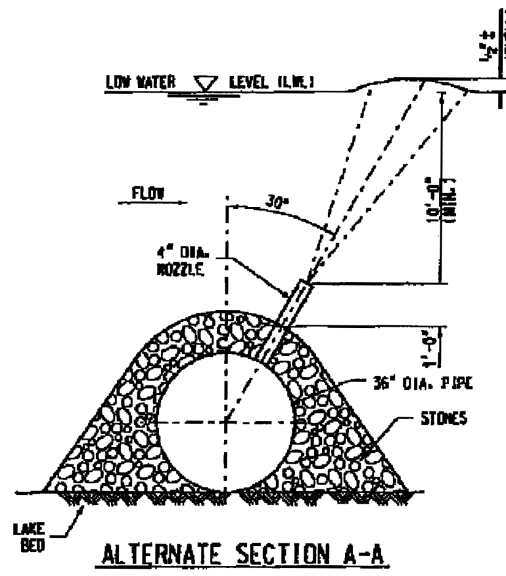
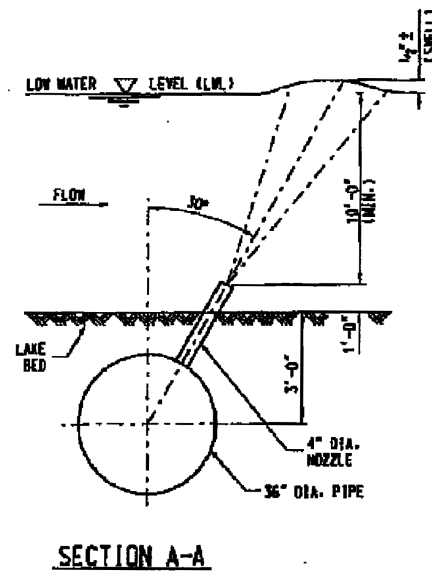
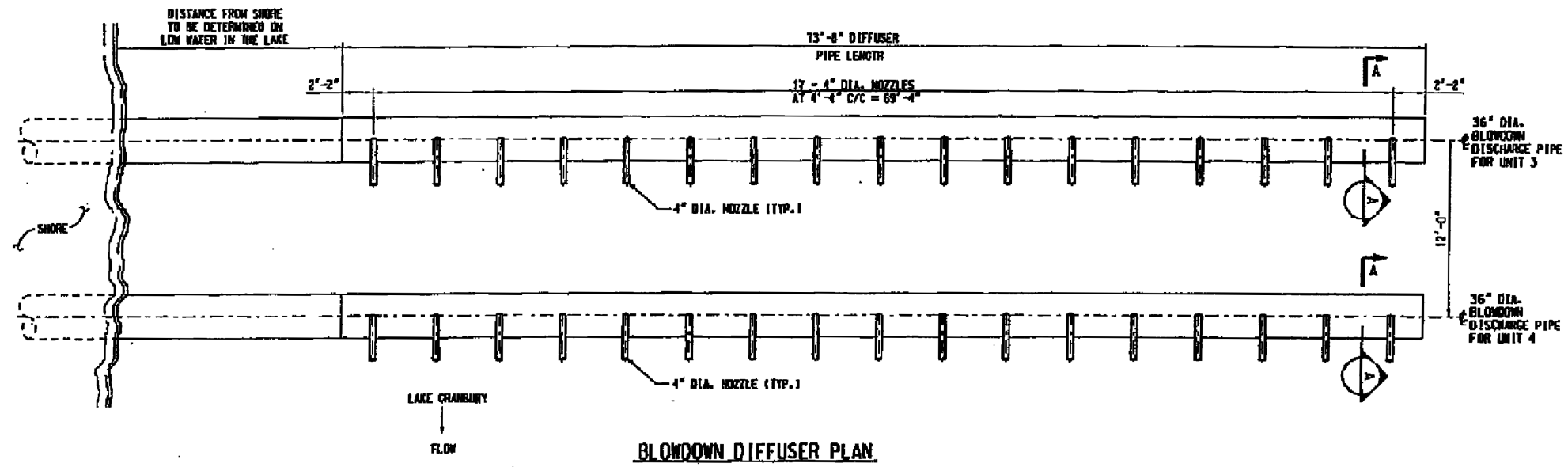


Figure 5.3-1 Diffuser