

**Comanche Peak Nuclear Power Plant, Units 3 & 4
COL Application
Part 3 - Environmental Report**

TYPICAL REINFORCED CONCRETE FOUNDATION FOR STEEL TOWERS

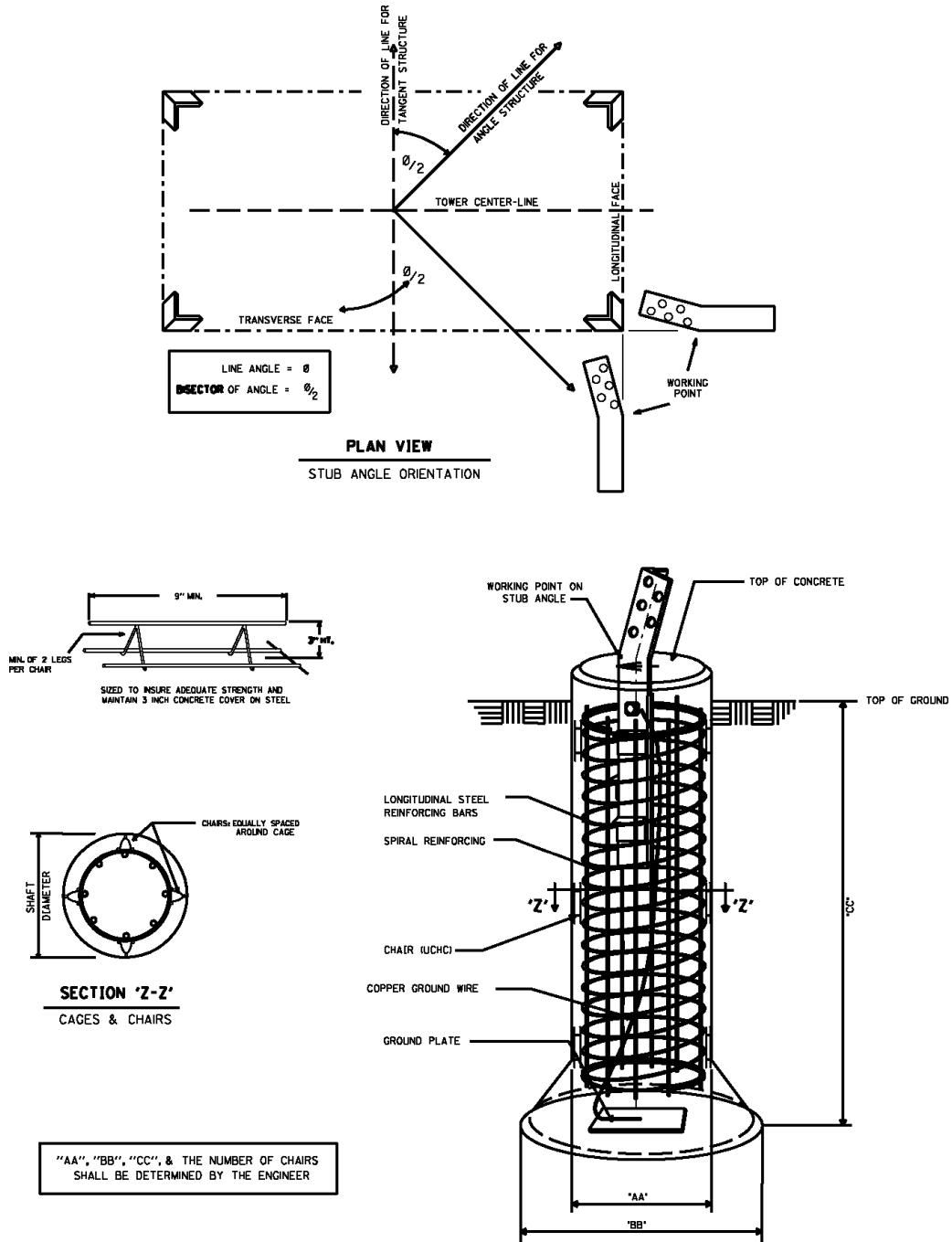


Figure 3.7-3 Transmission Standard Tower Foundations