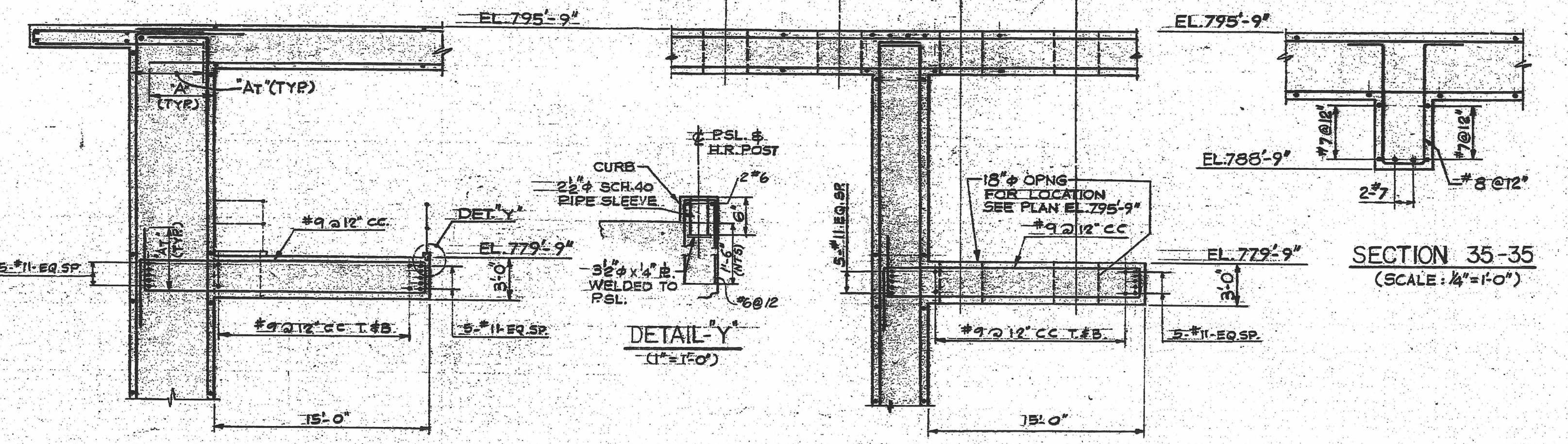


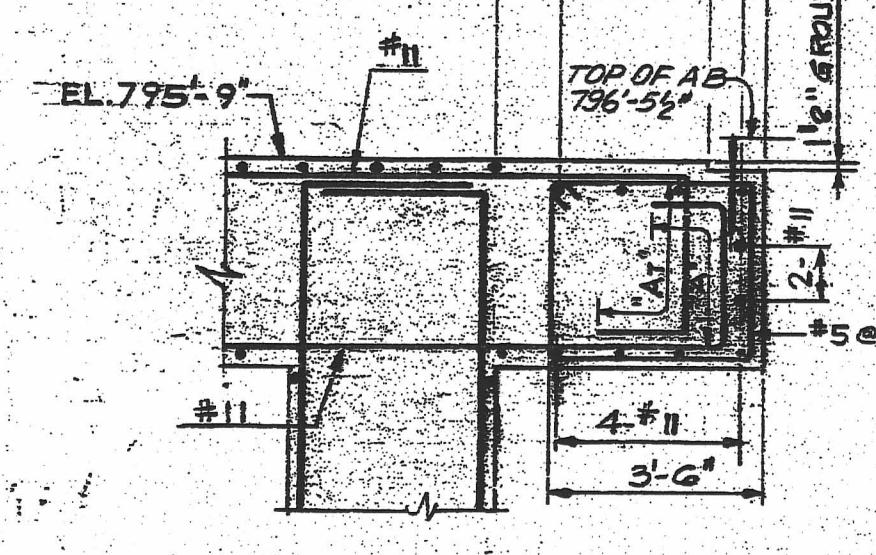
PART PLAN AT EL. 779'-9"



SECTION 35-35 (SCALE: 1/4"=1'-0")

SECTION 15-15 SECTION 15A-15A (SIMILAR)

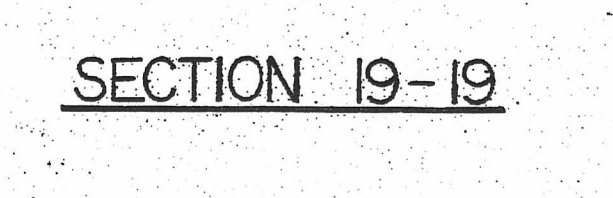
SECTION 16-16



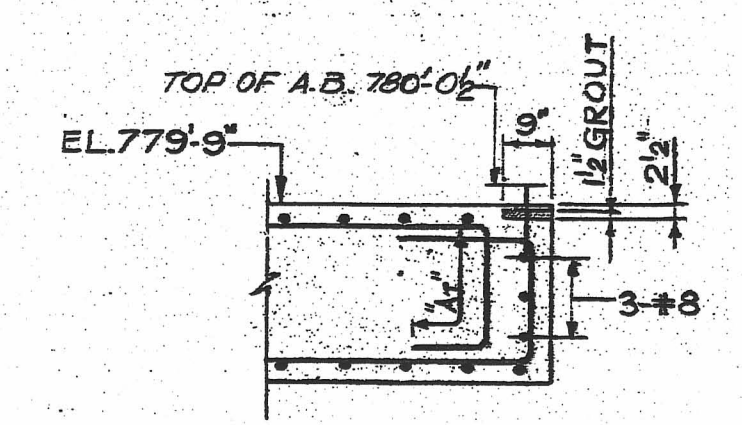
SECTION 17-17 (SCALE: 3/8"=1'-0")



SECTION 18-18 (SCALE: 3/8"=1'-0")

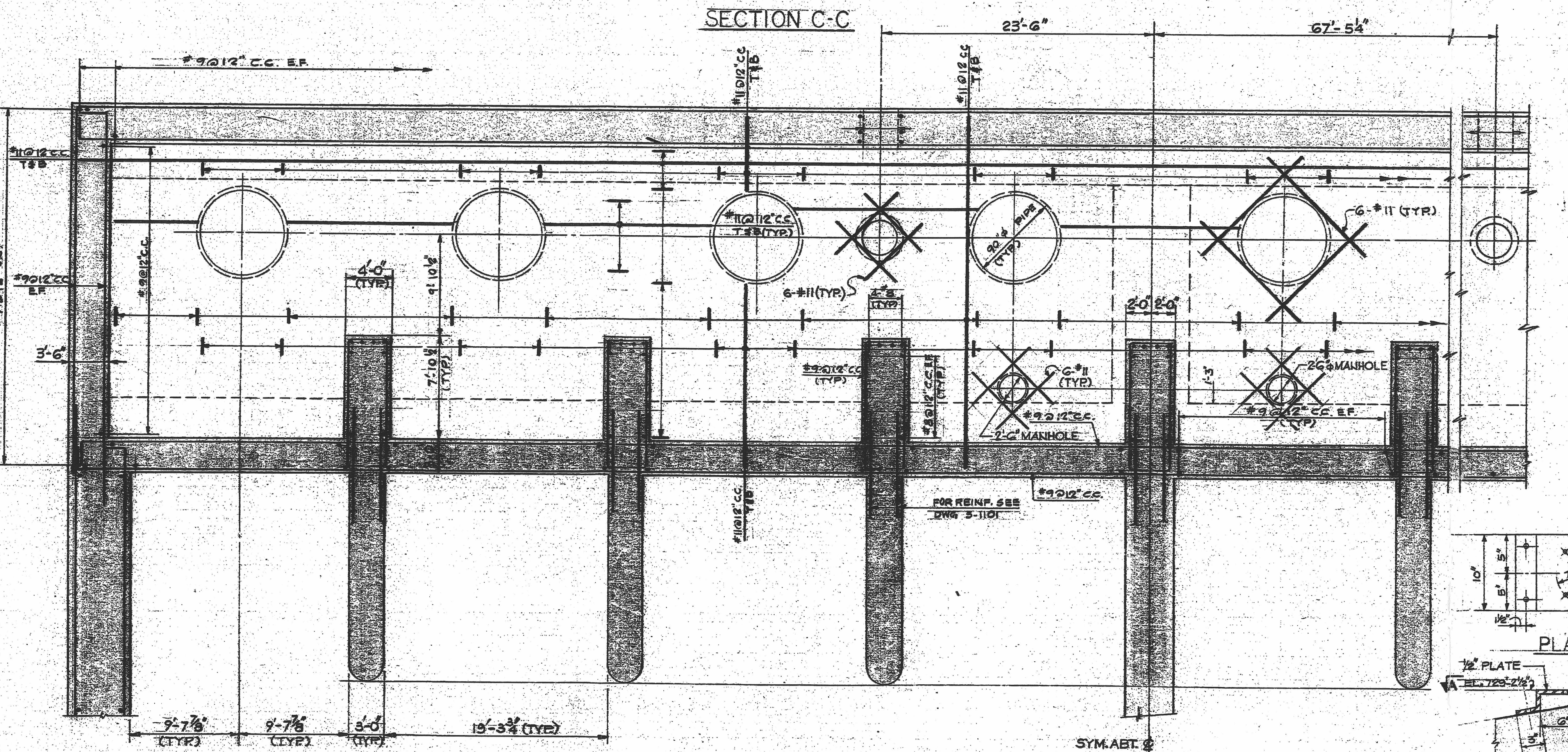


SECTION 19-19

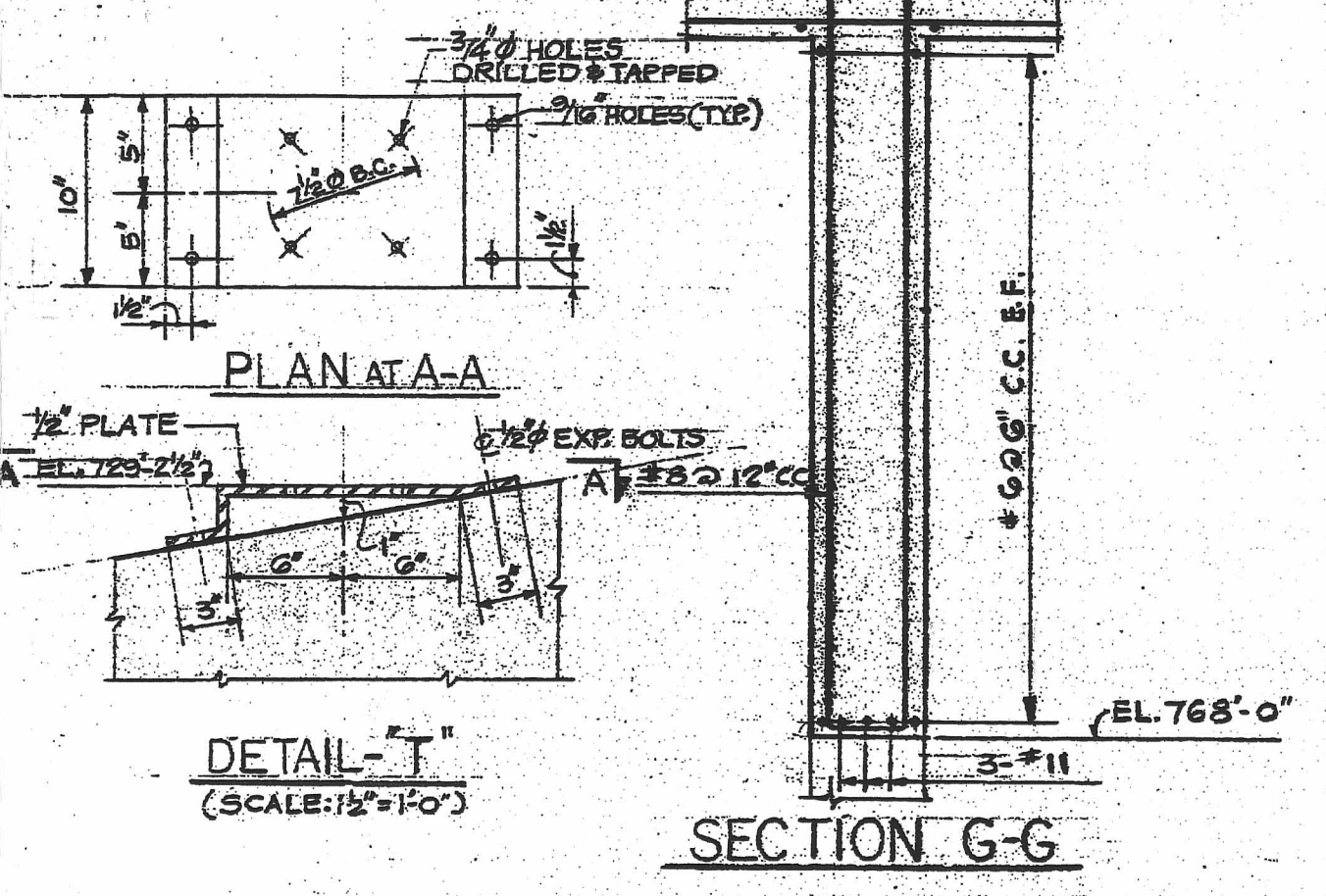


SECTION 28-28 (SCALE: 3/8"=1'-0")

THE FINAL GIBBS & HILL, INC. ISSUE OF DRAWING NO. 2323-S-1102 IS REVISION NO. G DATE 3-27-53



PART PLAN AT EL. 763'-2"



DETAIL-T (SCALE: 1/2"=1'-0")

SECTION G-G

NOTES:
1. FLOOR DRAINS TO BE IN PLACE BEFORE POURING CONCRETE. FOR DRAIN DETAILS SEE DWG. 2323-MT-0855.
2. FOR GENERAL NOTES SEE DWG. S-1101.

FFAR 223 REV. 0, ISSUE # G OF THIS DWG. DESIGN CHANGE DOCUMENT INCORPORATED

NO.	BY	CHKD.	DATE	DESCRIPTION
6	EAJ	HL		REVISED AS NOTED
5	HRE	HL		REVISED AS NOTED
4	EAJ	HL		CONST. TO EL. 776'-9"
3	EAJ	HL		CONST. TO EL. 776'-9"
2	EAJ	HL		REBAR DET. TO EL. 795'-9"
1	EAJ	HL		REBAR DET. TO EL. 795'-9"
0	EAJ	HL		REBAR DET. TO EL. 795'-9"

TEXAS UTILITIES SERVICES INC.
AGENT FOR:
DALLAS POWER & LIGHT COMPANY
TEXAS ELECTRIC SERVICE COMPANY
TEXAS POWER & LIGHT COMPANY

CIRCULATING WATER INTAKE STRUCTURE SECTS. 8&DETS-SH1
Gibbs & Hill Inc.
SCALE: 3/8"=1'-0"/UNG
2323-S-1102
JOB NO. 2323

RETAINED IN HARD COPY



D-08