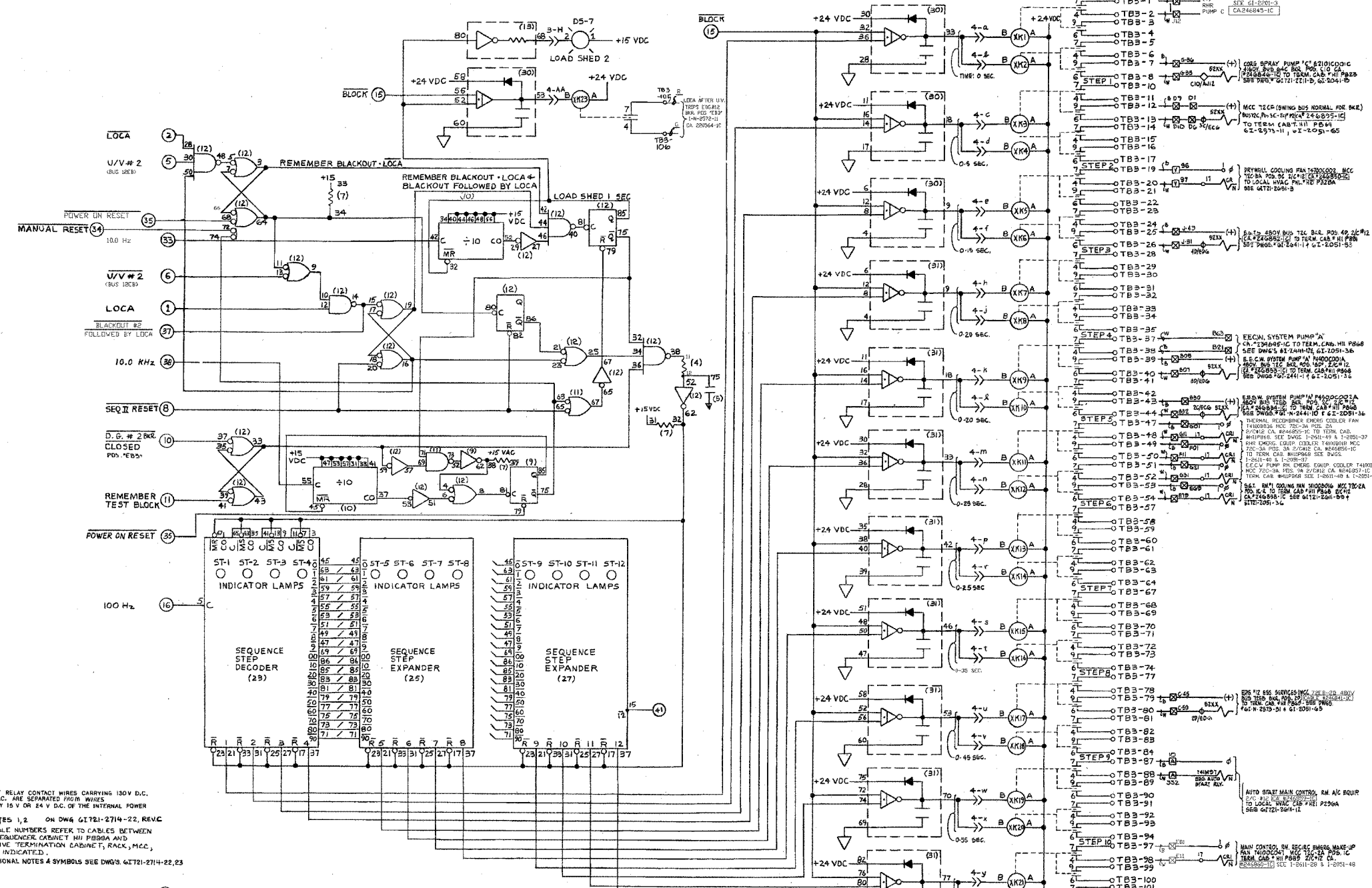


H  
G  
F  
E  
D  
C  
B  
A



- NOTES:
1. ALL OUTPUT RELAY CONTACT WIRES CARRYING 130V D.C. OR 115V A.C. ARE SEPARATED FROM WIRES POWERED BY 15V OR 24V D.C. OF THE INTERNAL POWER SUPPLIES.
  2. SEE NOTES 1, 2 ON DWG 61721-2714-22, REV C.
  3. ALL CABLE NUMBERS REFER TO CABLES BETWEEN E. D. G. SEQUENCE CABINET III PB98A AND RESPECTIVE TERMINATION CABINET, RACK, M.C.C., ETC. AS INDICATED.
  4. FOR ADDITIONAL NOTES 4 SYMBOLS SEE DWG'S 61721-2714-22, 23.

DRAWING NOT COMPLETE WITHOUT  
 61721-2714-22  
 61721-2714-23  
 61721-2714-24

THE INDIVIDUAL CONDUCTORS OF MULTICONDUCTOR CABLES SHALL BE IDENTIFIED BY USING EITHER OF THE FOLLOWING TWO CODES OVER IPSCA (5-19-83)

|              |   |   |   |   |   |   |   |   |   |    |    |    |    |
|--------------|---|---|---|---|---|---|---|---|---|----|----|----|----|
| COLOR CODE   | W | V | R | G | D | B | Y | P | U | OR | GR | BL | RD |
| NUMERIC CODE | 1 | 2 | 3 | 4 | 5 | 6 | 7 | 8 | 9 | 10 | 11 | 12 |    |

THIS IS AN OVERLAP DRAWING. REFER TO PRACTICE STANDARDS PER9-0019 FOR INFORMATION ON THIS PROGRAM.

NUCLEAR SAFETY RELATED

THIS IS AN AUTOCAD PRODUCED DRAWING. CHANGES OR REVISIONS MUST BE BROUGHT TO THE ATTENTION OF THE PLANT ENGINEERING DESIGN GROUP TO ENSURE THAT CONFIGURATION CONTROL IS MAINTAINED.

|  |                         |                                   |  |
|--|-------------------------|-----------------------------------|--|
| THIS DRAWING WAS REPRODUCED BY AUTOCAD AT REVISION B. ALL PREFERRED APPROVAL SIGNATURES ARE ON FILE OR INCORPORATED IN DOCUMENT CONTROL. |                         | INC. CODE<br><b>S</b>             | TITLE<br><b>DETROIT EDISON FERMII 2</b><br><b>ELECTRICAL SCHEMATIC</b><br><b>E. D. G. AUTOMATIC</b><br><b>DIGITAL LOAD</b><br><b>SEQUENCING SYSTEM</b> |
| PREPARED BY<br><b>S. S. S. S.</b>  | DATE<br><b>11/18/97</b> | CHECKED BY<br><b>[Signature]</b>  | DATE<br><b>11/18/97</b>  |
| APPROVED BY<br><b>[Signature]</b>  | DATE<br><b>11/18/97</b> | APPROVED BY<br><b>[Signature]</b> | DATE<br><b>11/18/97</b>  |
| PROJECT NUMBER<br><b>61721-2714-25</b>   |                         | DRAWING NUMBER<br><b>1</b>        | DATE REVISION TO<br><b>12-23-97</b>  |