

## 5.0 Reactor Coolant System and Connection Systems

### 5.1 Summary Description

The information in this section of the reference ABWR DCD, including all subsections and figures, is incorporated by reference with the following departures.

STD DEP 5.4-1

Figure 5.1-3 Nuclear Boiler System P&ID (Sheet 4 of 11)

STD DEP 5.4-1 (Figure 5.1-3)

CUW piping pressure change to be consistent with Table 5.4-6 is incorporated in Figure 5.1-3 Nuclear Boiler System P&ID (Sheet 4 of 11) in Chapter 21.

[STD DEP 5.4-5 \(Figure 5.1-3\)](#)

STD DEP 7.3-6 (Figure 5.1-3)

Figure 5.1-3 Nuclear Boiler System P&ID (Sheet 2) is incorporated in Chapter 21.

This figure is modified to reflect STD DEP 7.3-6, change in SRV Position Indication from LVDTs to limit switches.

STD DEP 7.3-11

Figure 5.1-3 Nuclear Boiler System P&D (Sheets 1-11) is incorporated in Chapter 21.

Changes are made to Sheets 2 and 4 to reflect DEP 7.3-11, Leak Detection and Isolation System Value Leakage Monitoring.

STP DEP 10.1-3 (Figure 5.1-1)

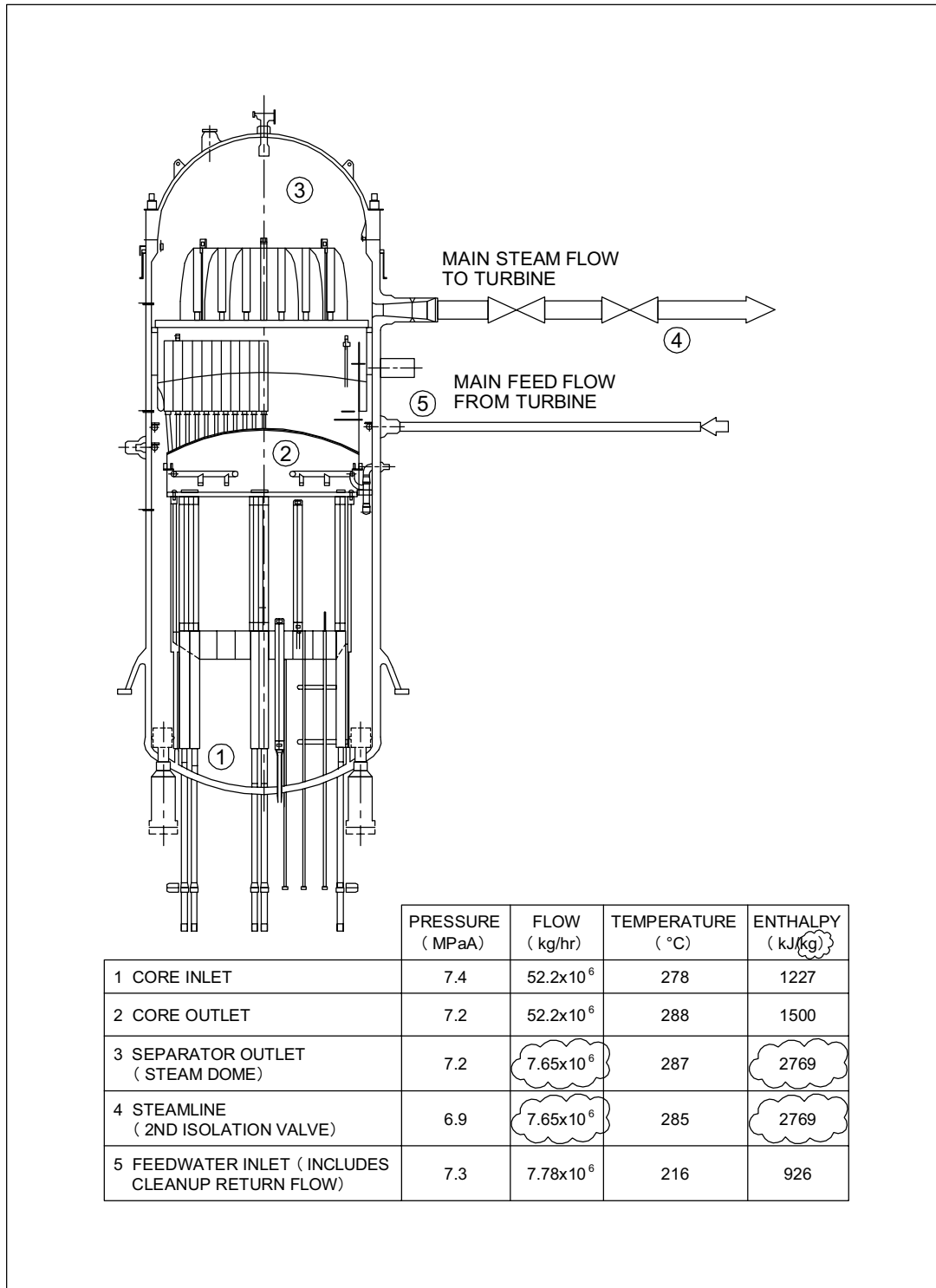


Figure 5.1-1 Rated Operating Conditions of the ABWR