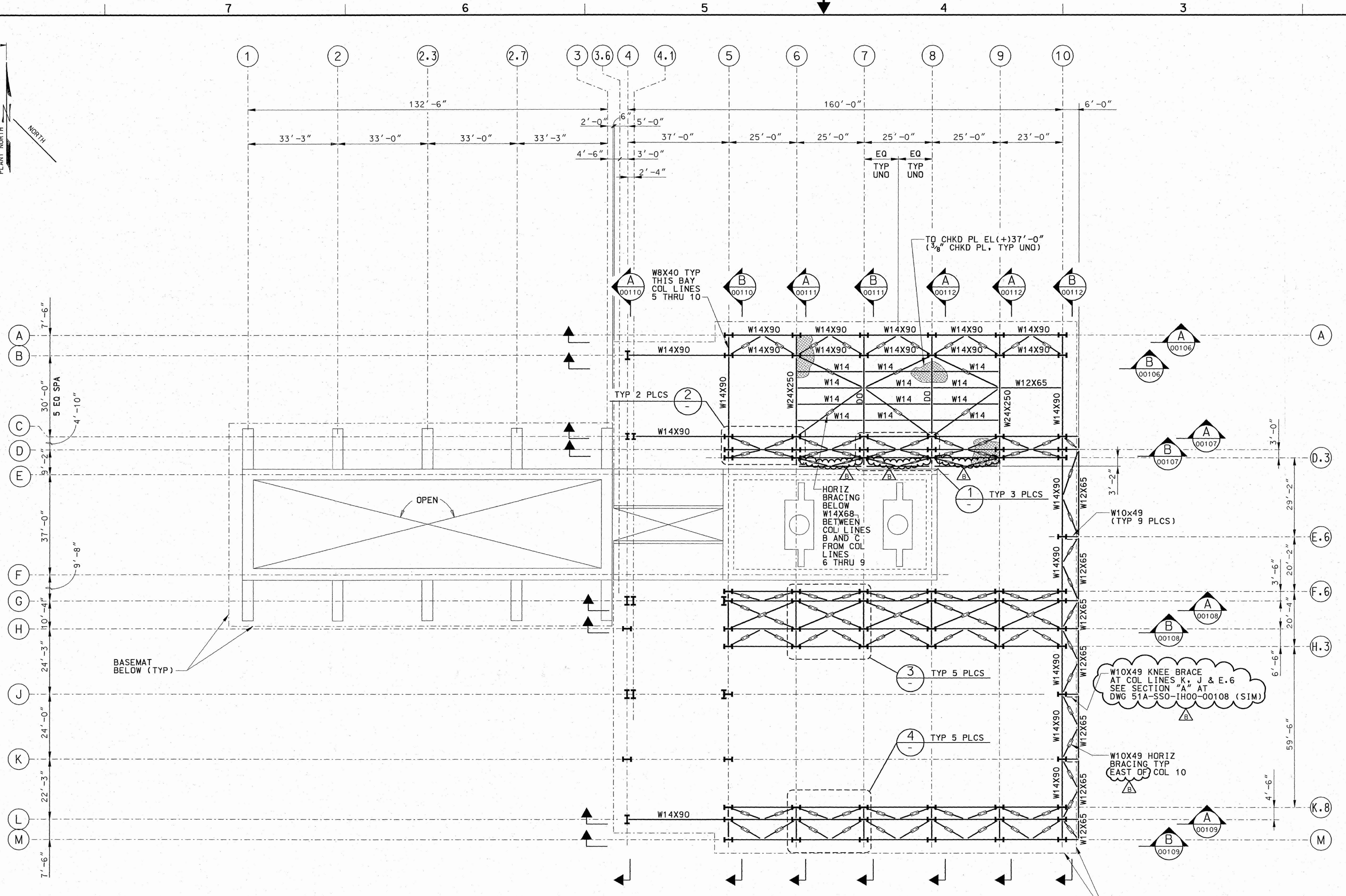


THIS DRAWING KEY PLAN FOR REFERENCE ONLY

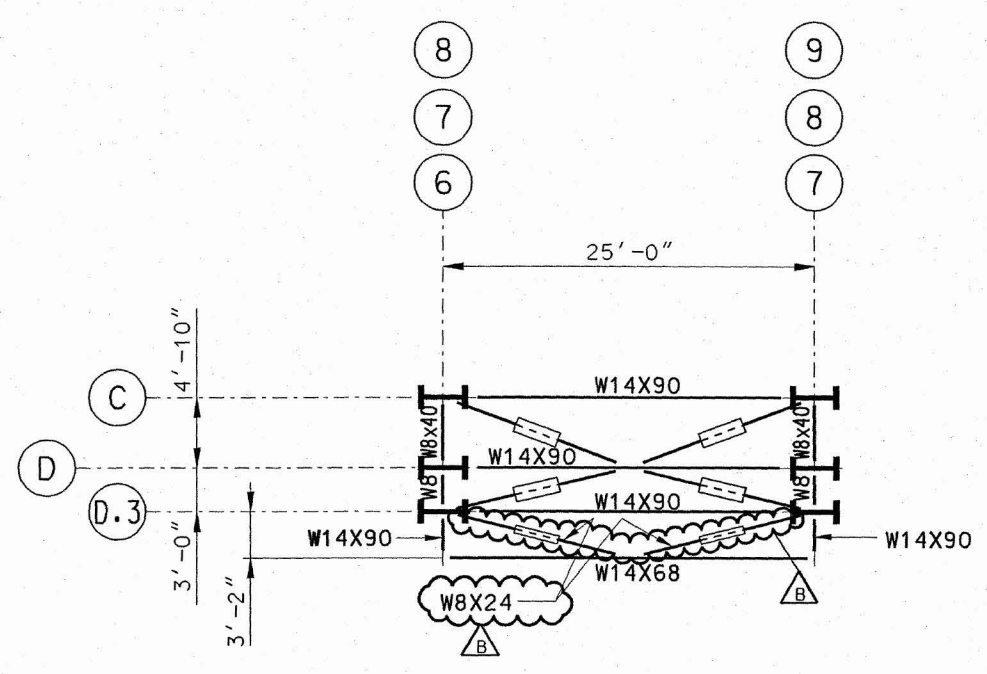
NOTES:

- 1. FOR NOTES AND REFERENCE DRAWINGS, SEE DWG 51A-SSO-1H00-00101-000.

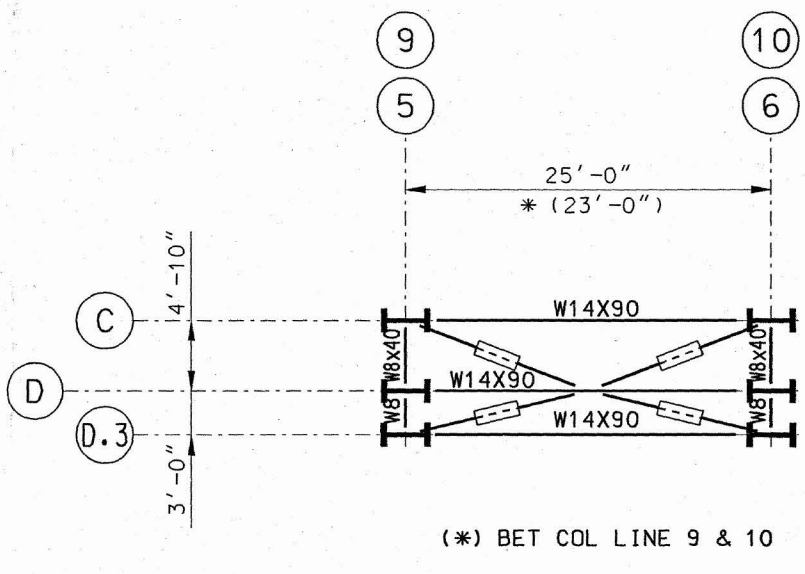


FRAMING PLAN AT TOS EL (+)36'-11 5/8"

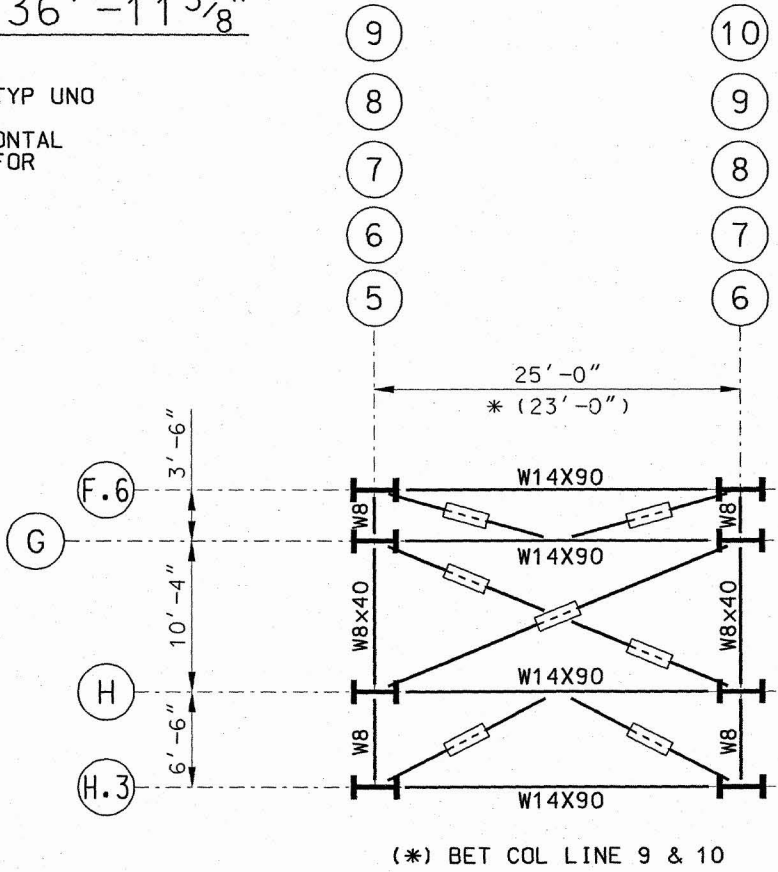
SCALE: 1/16"=1'-0"  
 NOTE: • ALL HORIZONTAL BRACING ARE W12X65 TYP UNO  
 • WHERE PARTIAL DESIGNATORS OF HORIZONTAL MEMBERS ARE INDICATED, SEE LEGEND FOR COMPLETE INFORMATION.



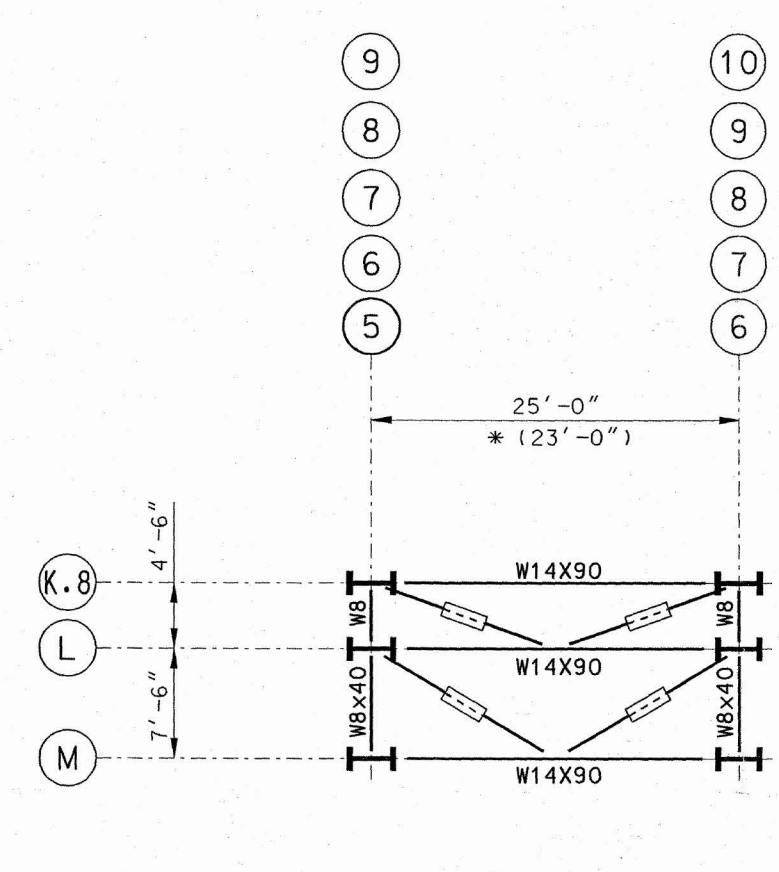
DETAIL 1 SCALE: 1/8"=1'-0"



DETAIL 2 SCALE: 1/8"=1'-0"



DETAIL 3 SCALE: 1/8"=1'-0"



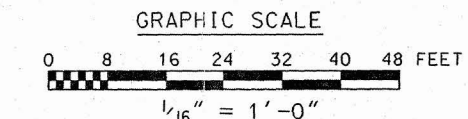
DETAIL 4 SCALE: 1/8"=1'-0"

LEGEND:

(THIS DWG ONLY)

- W14 = W14X68
- W8 = W8X40

THIS DRAWING IS PRELIMINARY AND NOT INTENDED FOR CONSTRUCTION, PROCUREMENT OR FABRICATION.



REVISION HISTORY									
NO.	DESCRIPTION	DATE	DRG	CHK	ESS	FE	DEK	N/A	OK
B	REVISED TO RESOLVE CR # 11735 AND RE-ISSUED FOR LA	2/25/08	W	W	W	W	N/A	N/A	PB
A	ISSUED FOR LA	11/27/07	ML	SM	TF	DWT	N/A	N/A	PB
REV									

APPROVALS		INITIALS	DATE
DESIGNER	M. LAYCO	ML	11/15/07
CHECKER	S. MACIAS	SM	11/15/07
ENGINEERING GROUP SUPERVISOR	T. FRANKERT	TF	11/15/07
PROJECT ENGINEER	D. TOOKER	DT	11/21/07
SENIOR ENGINEERING MANAGER	P. BUENVIAJE	PB	11/15/07
N/A	N/A	N/A	N/A
N/A	N/A	N/A	N/A
SCALE	AS NOTED		
DATE	11/15/07		

U.S. DEPARTMENT OF ENERGY			
Office of Civilian Radioactive Waste Management			
Management and Operation of the Office of			
SAC/CM/EL/EL Civilian Radioactive Waste Management Program			
NUCLEAR FACILITIES BUILDINGS			
INITIAL HANDLING FACILITY			
FRAMING PLAN AT			
TOS EL 36'-11 5/8"			
SAFETY CLASSIFICATION	ITS	DOCUMENT IDENTIFIER	51A-SSO-1H00-00102-000
REVISION	E	SCALE	51A-SSO-1H00-00102.dgn
SIZE	E	DATE	11/15/07
FILE NUMBER	005	SCALE CODES	N/A