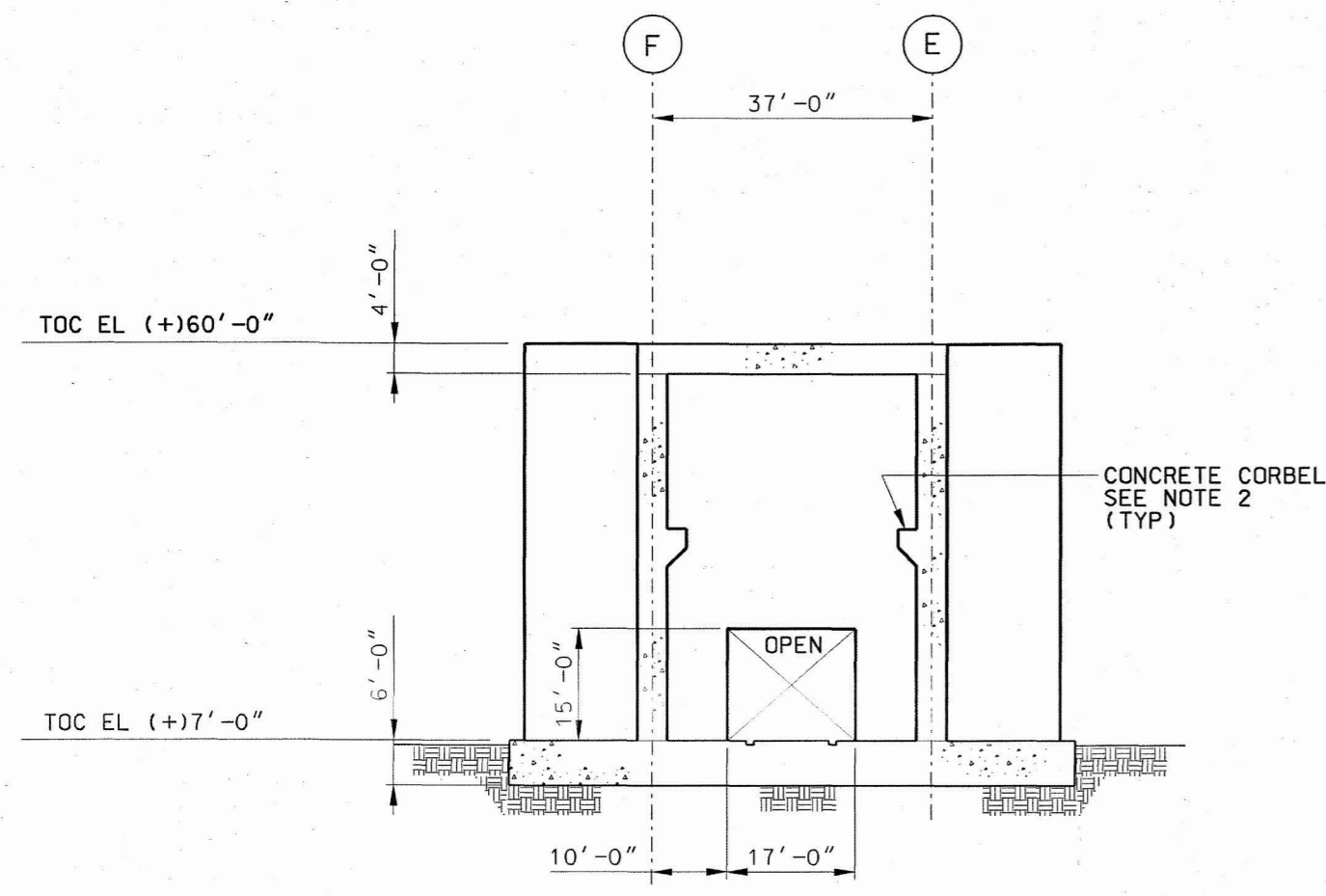
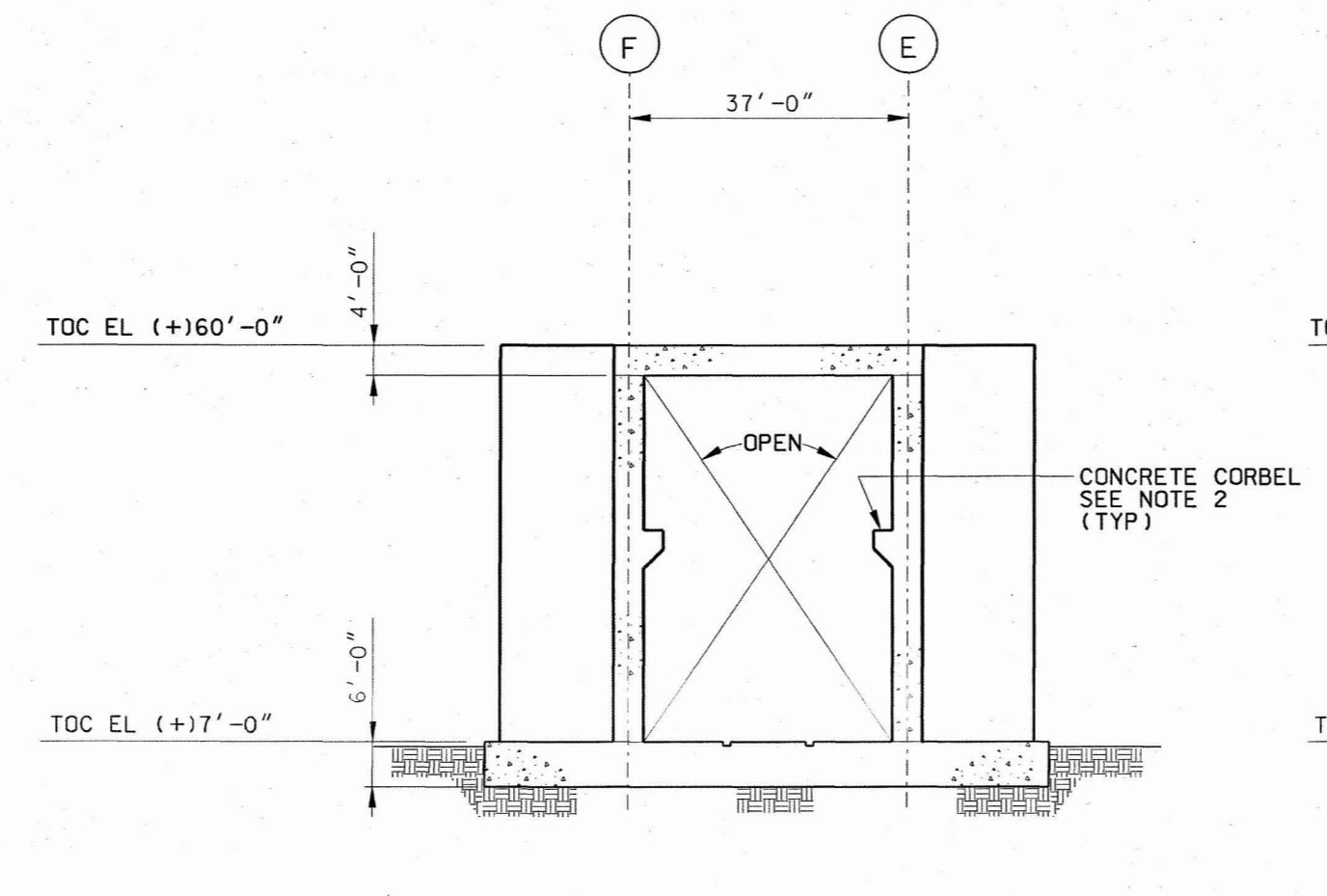


NOTES:

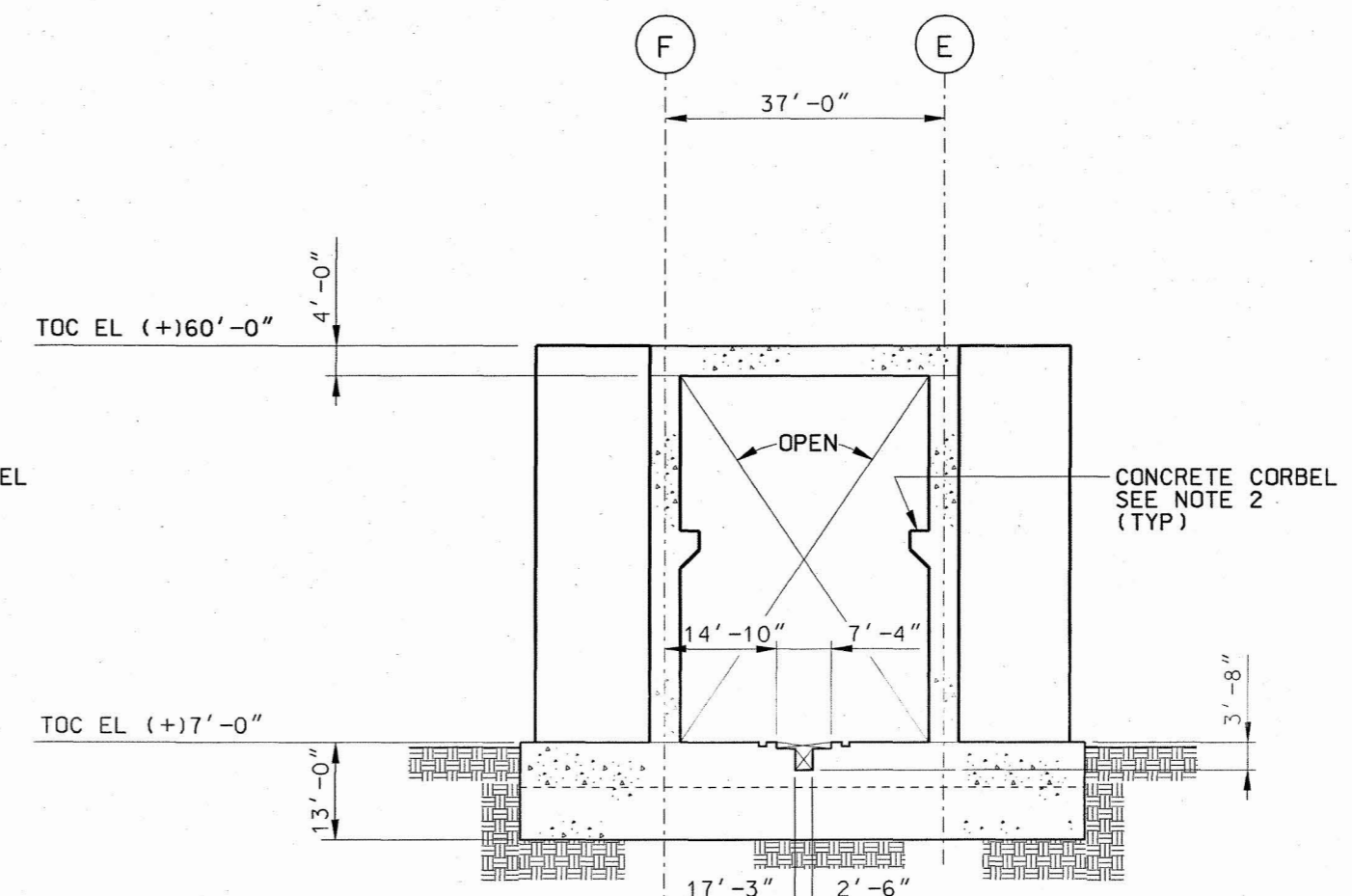
- 1. FOR NOTES AND REFERENCE DRAWINGS, SEE DWG 51A-DB0-IH00-00101-000.
- 2. CONCRETE CORBEL HAS BEEN SHOWN FOR ILLUSTRATIVE PURPOSES ONLY.



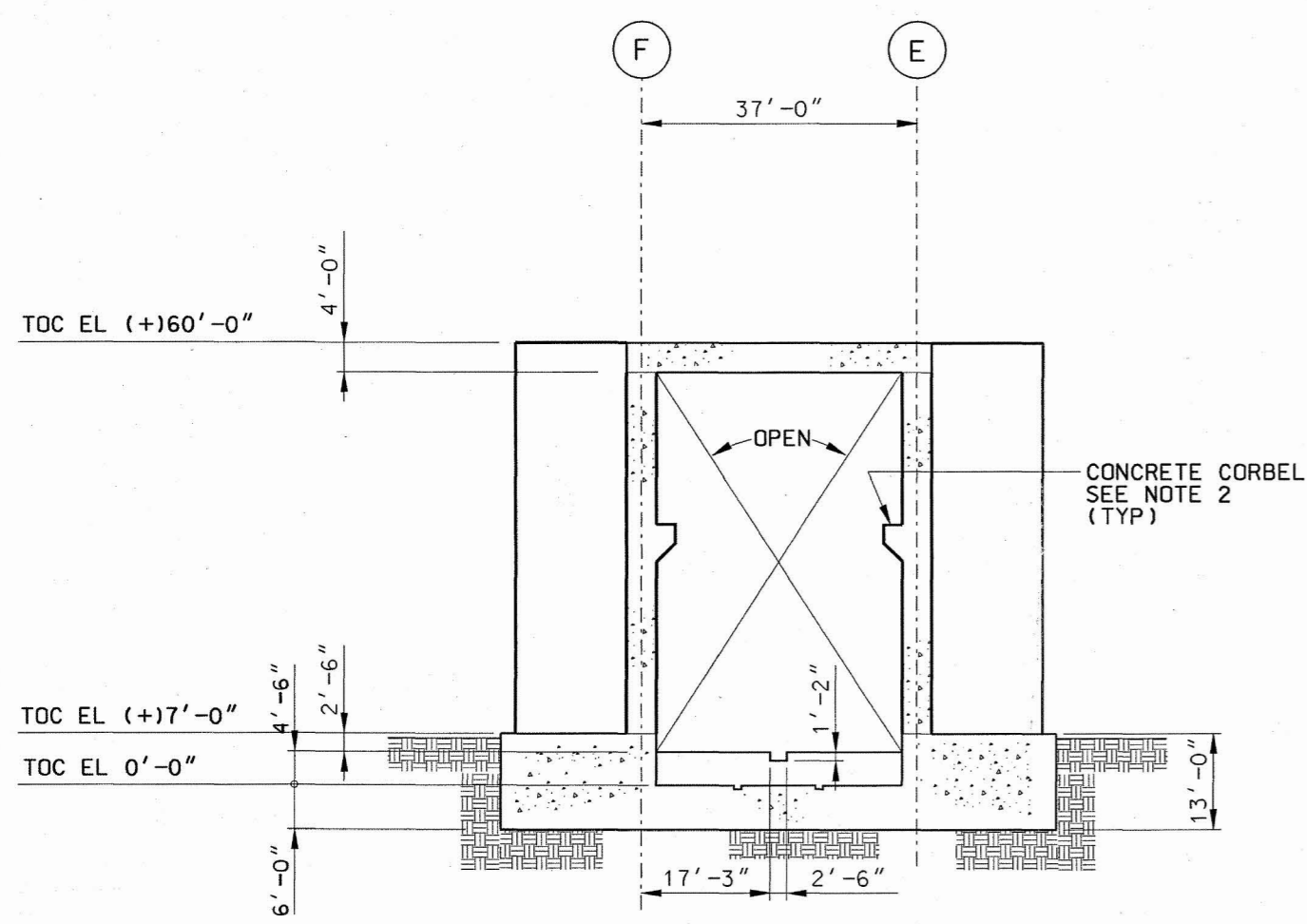
ELEVATION ALONG COL "1"  
(LOOKING WEST)  
SECTION A  
DB0-IH00-00101, 00102, 00103



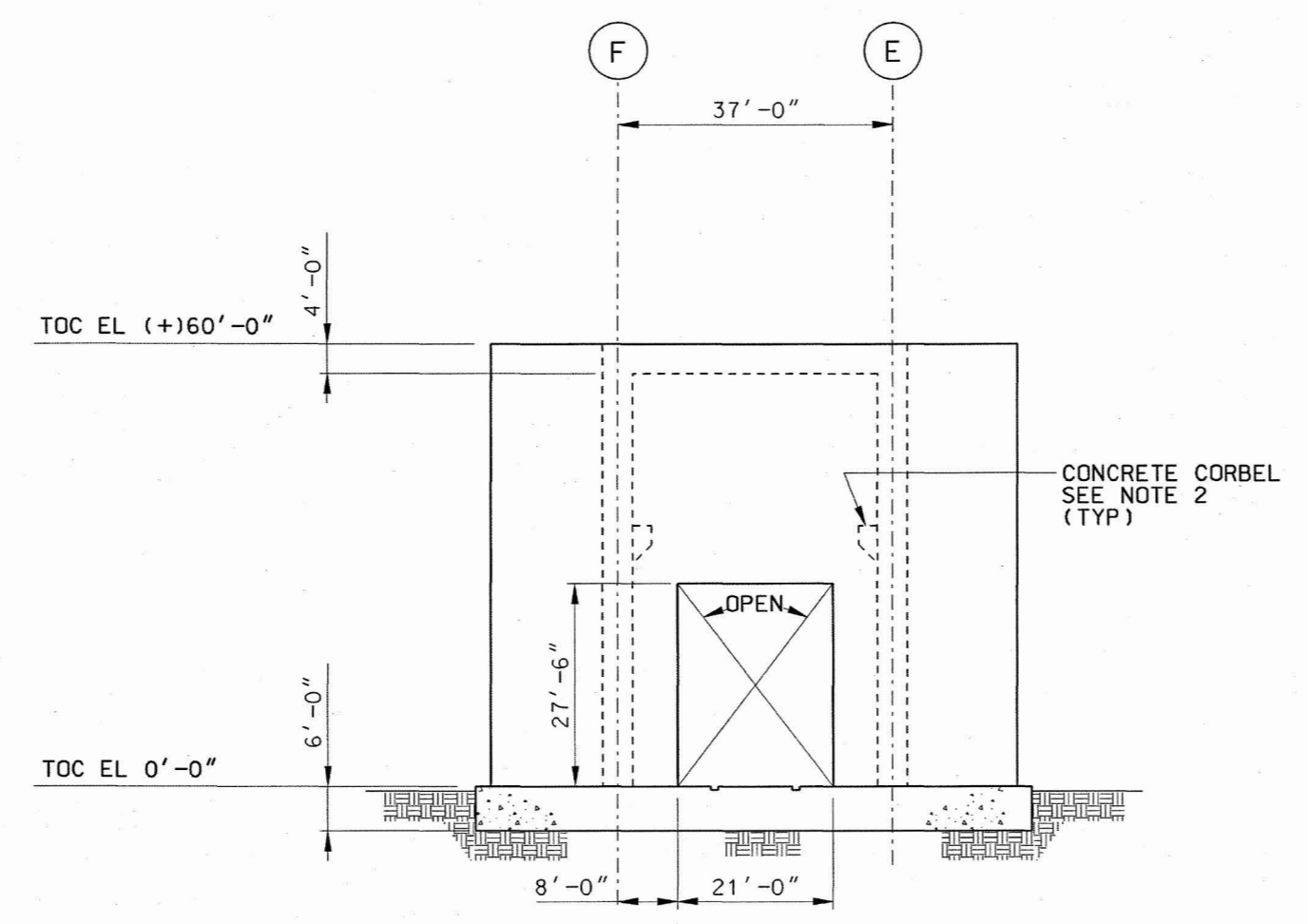
ELEVATION ALONG COL "2"  
(LOOKING WEST)  
SECTION B  
DB0-IH00-00101, 00102, 00103



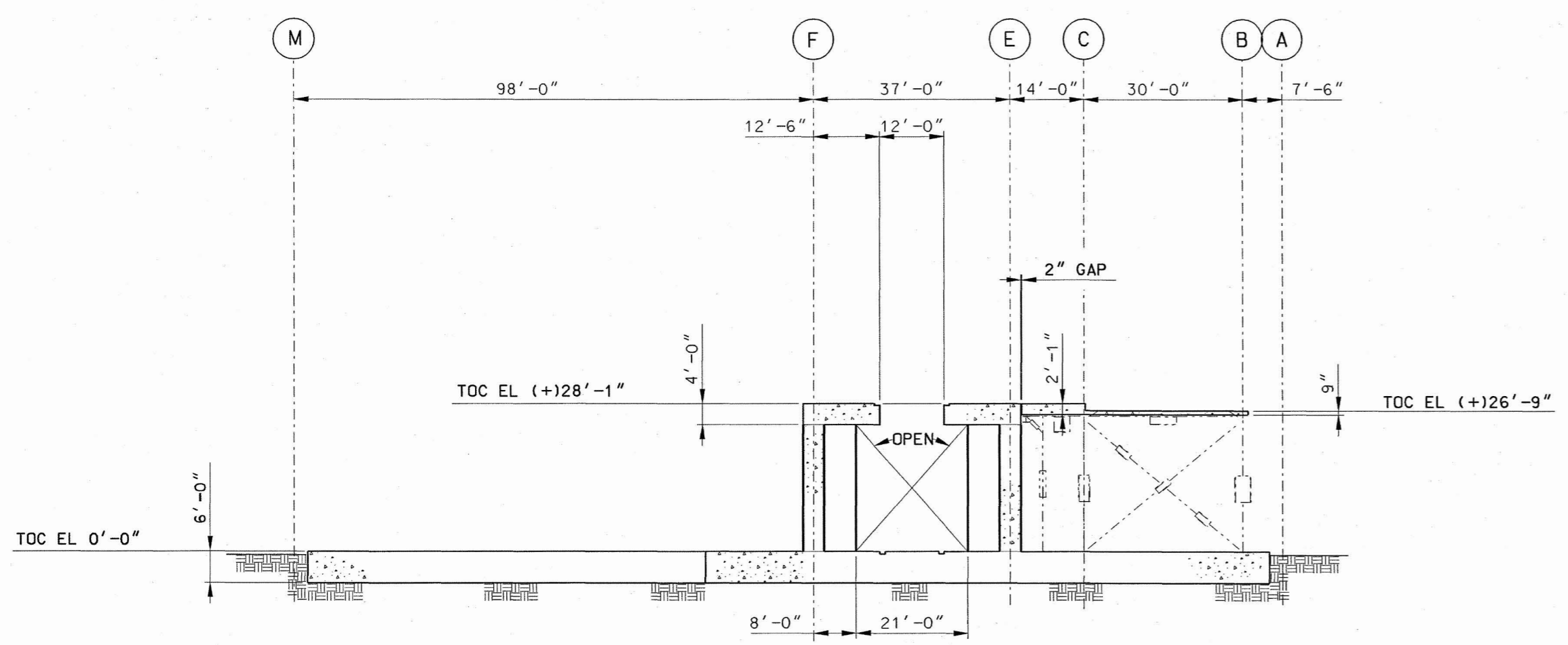
ELEVATION ALONG COL "2.3"  
(LOOKING WEST)  
SECTION C  
DB0-IH00-00101, 00102, 00103



ELEVATION ALONG COL "2.7"  
(LOOKING WEST)  
SECTION D  
DB0-IH00-00101, 00102, 00103

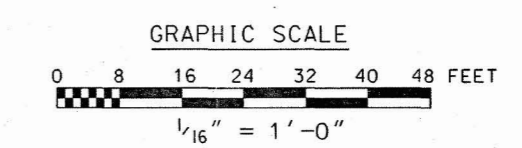


ELEVATION ALONG COL "3"  
(LOOKING WEST)  
SECTION E  
DB0-IH00-00101, 00102, 00103



ELEVATION ALONG COL "4"  
(LOOKING WEST)  
SECTION F  
DB0-IH00-00101, 00102, 00103

THIS DRAWING IS PRELIMINARY AND NOT INTENDED FOR CONSTRUCTION, PROCUREMENT OR FABRICATION.



REVISION HISTORY	
NO.	DESCRIPTION
A	ISSUED FOR LA

APPROVALS	INITIALS	DATE	DESIGNATION
DESIGNER	NAC	12/19/07	DR
FORUM	SAC	12/19/07	DR
ENGINEERING GROUP SUPERVISOR	TJ	12/19/07	DR
PROJECT ENGINEER	D	12/23/07	DR
REGISTERED ENGINEERING NUMBER	N/A		
N/A	N/A		
DE CONFORMANCE	N/A		
P. BUENVIAJE			

U.S. DEPARTMENT OF ENERGY	
Office of Civilian Radioactive Waste Management	
BECHTEL Management and Operation of the Office of	
SAIC Contract Civilian Radioactive Waste Management Program	
NUCLEAR FACILITIES BUILDINGS	
INITIAL HANDLING FACILITY	
ELEVATION AT COL LINES	
1, 2, 2.3, 2.7, 3, AND 4	
SAFETY CLASSIFICATION	DOCUMENT IDENTIFIER
ITS	51A-DB0-IH00-00104-000
SIZE	SCALE
E	1/8" = 1'-0"
CAD FILENAME	REV
51adb01h0000104.dgn	00A
CAGE CODE	N/A
ANSI E-34"x44"	