

8

7

6

5

4

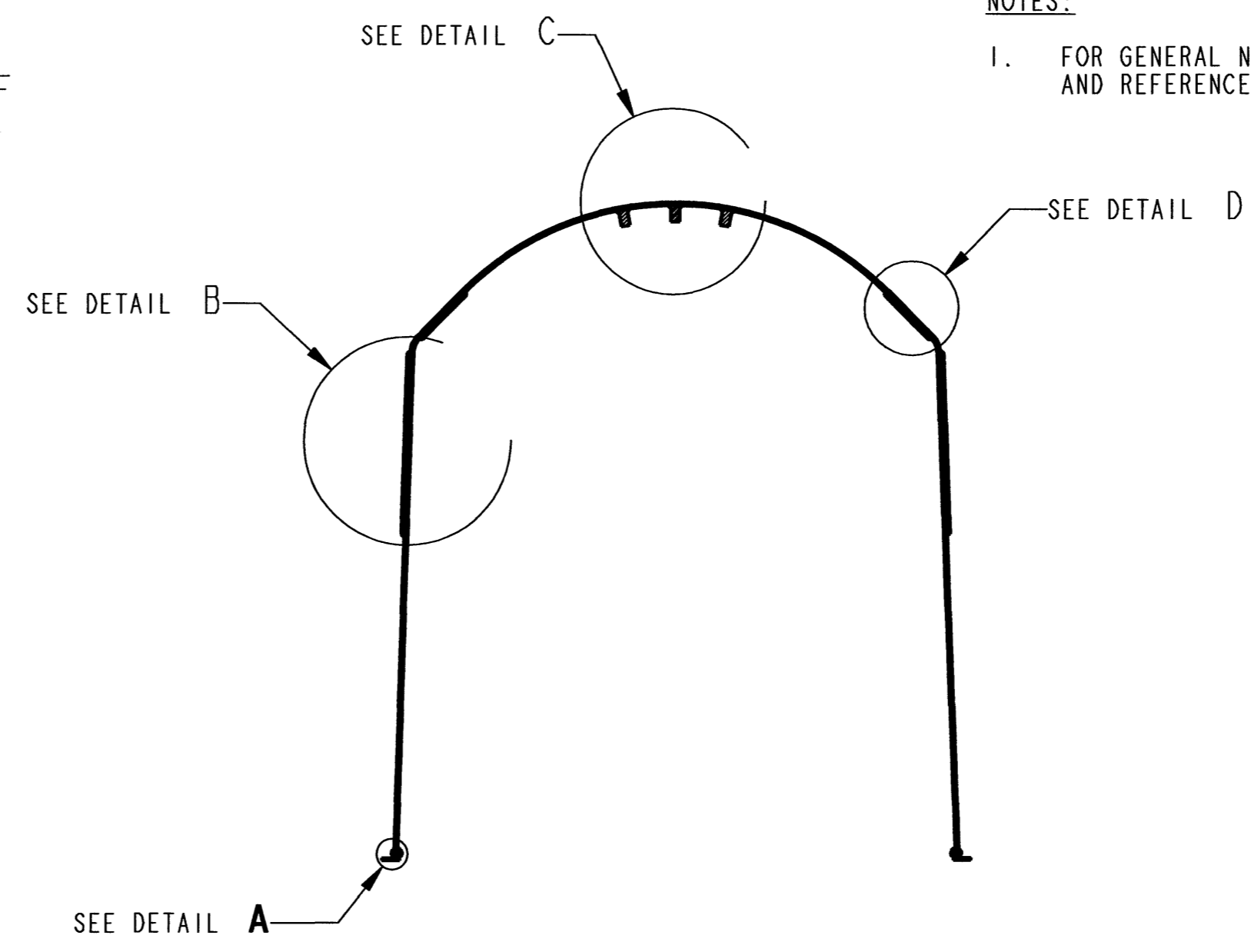
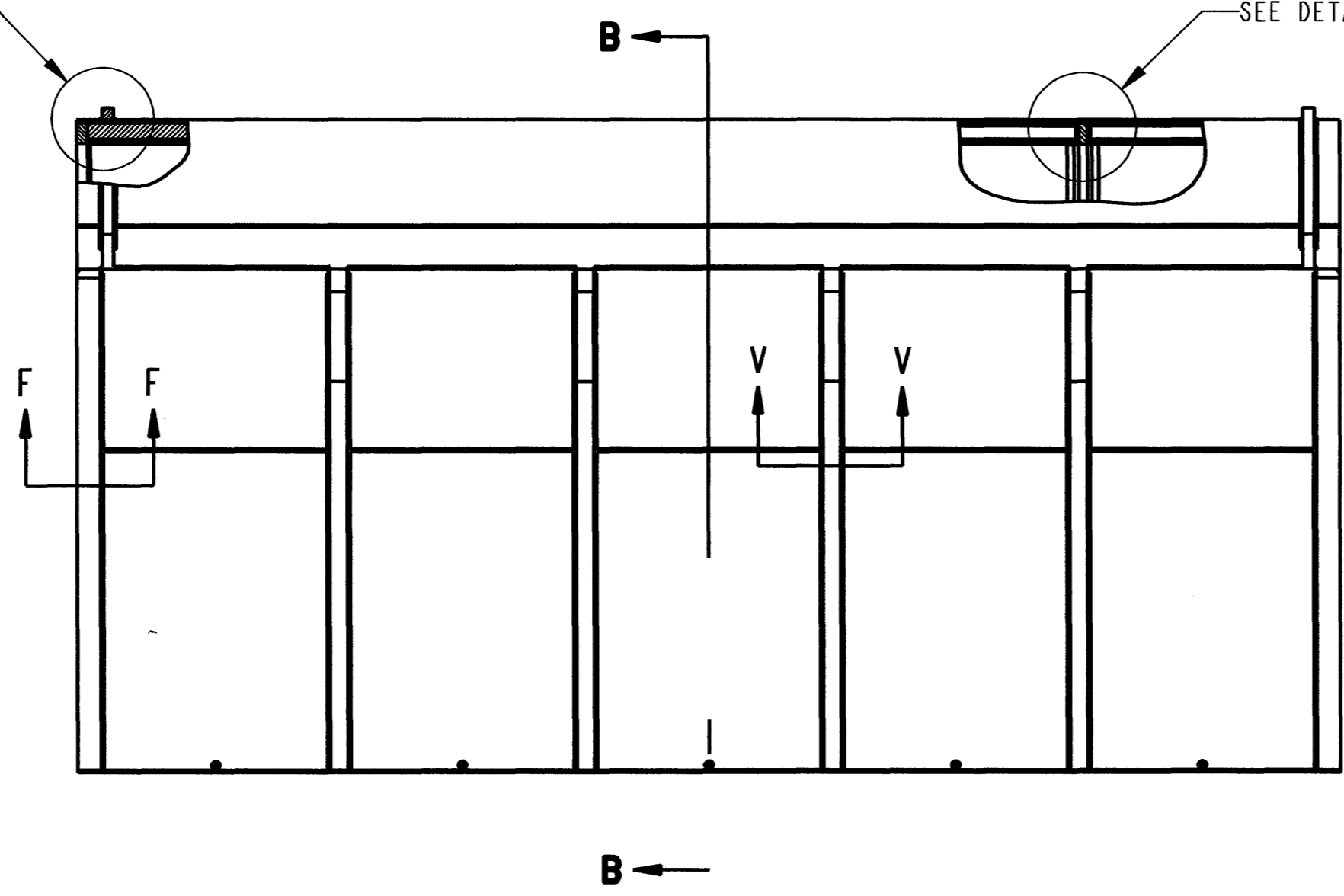
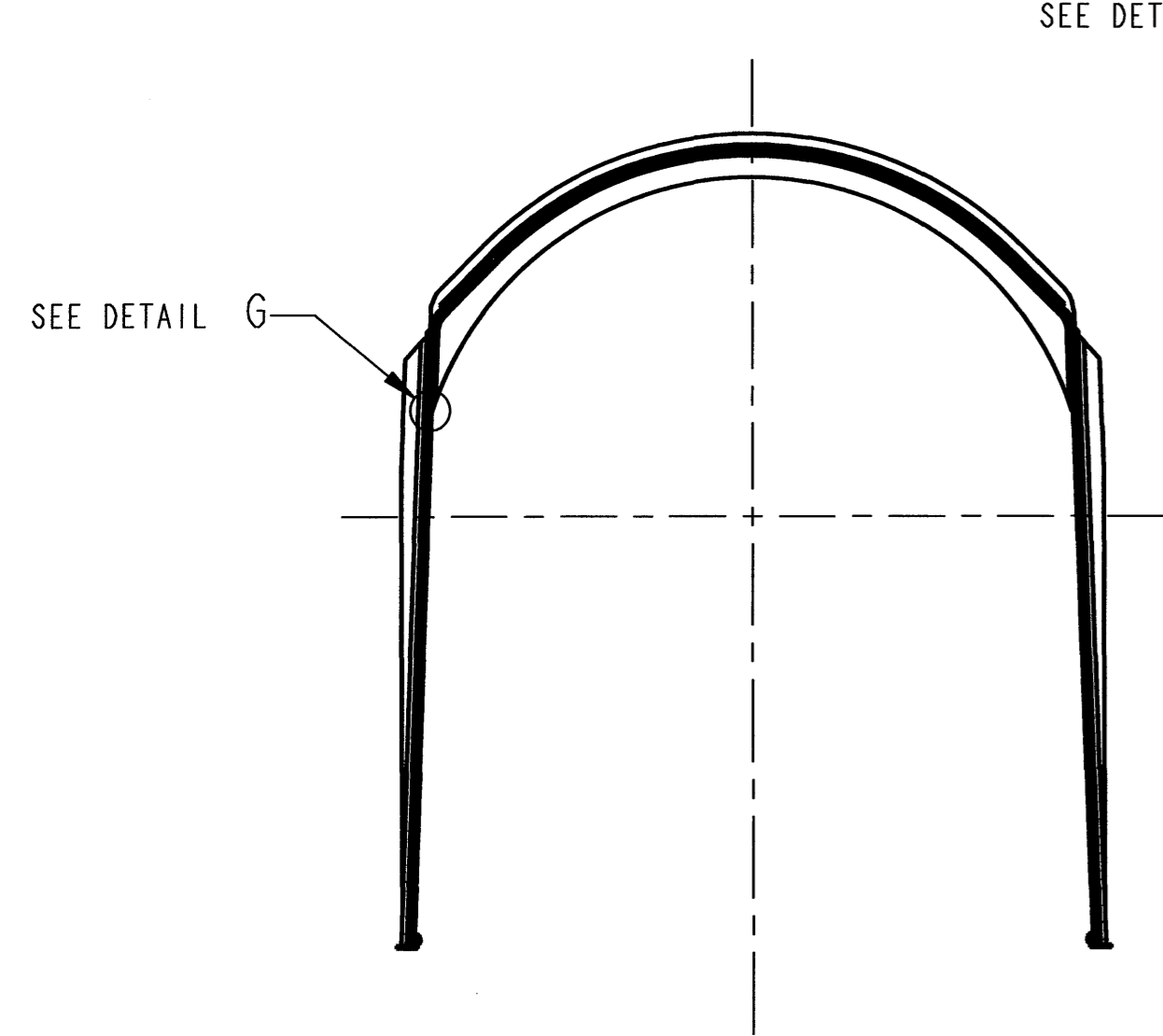
3

2

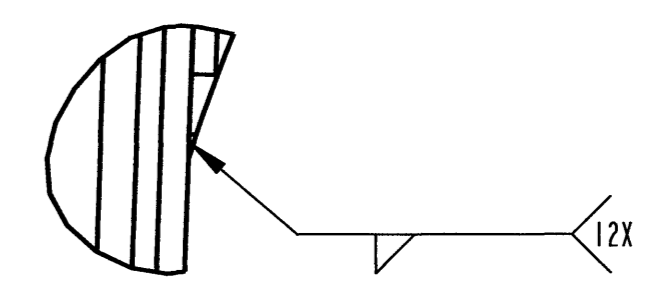
ENG. 20070426.0003

NOTES:

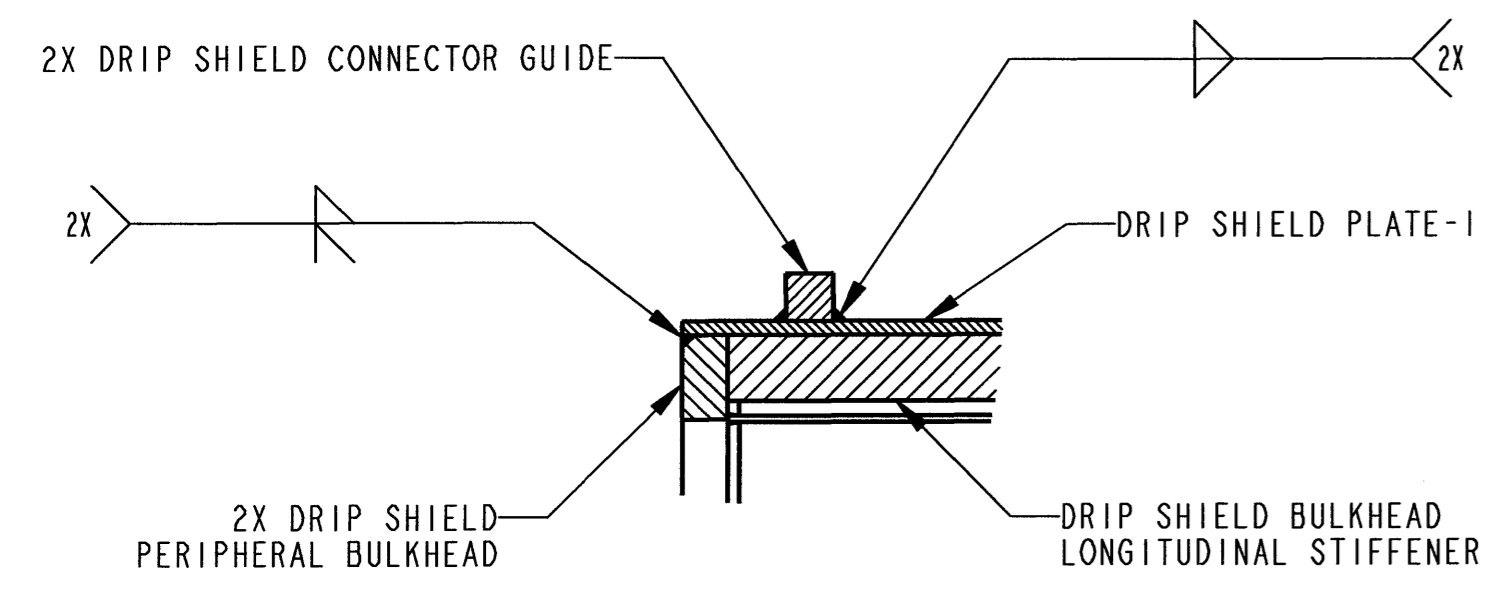
1. FOR GENERAL NOTES, DESIGN INPUT REFERENCE LIST, DRAWING INDEX, AND REFERENCE DRAWINGS, REFER TO DRAWING 000-M00-SSE0-00501-000.



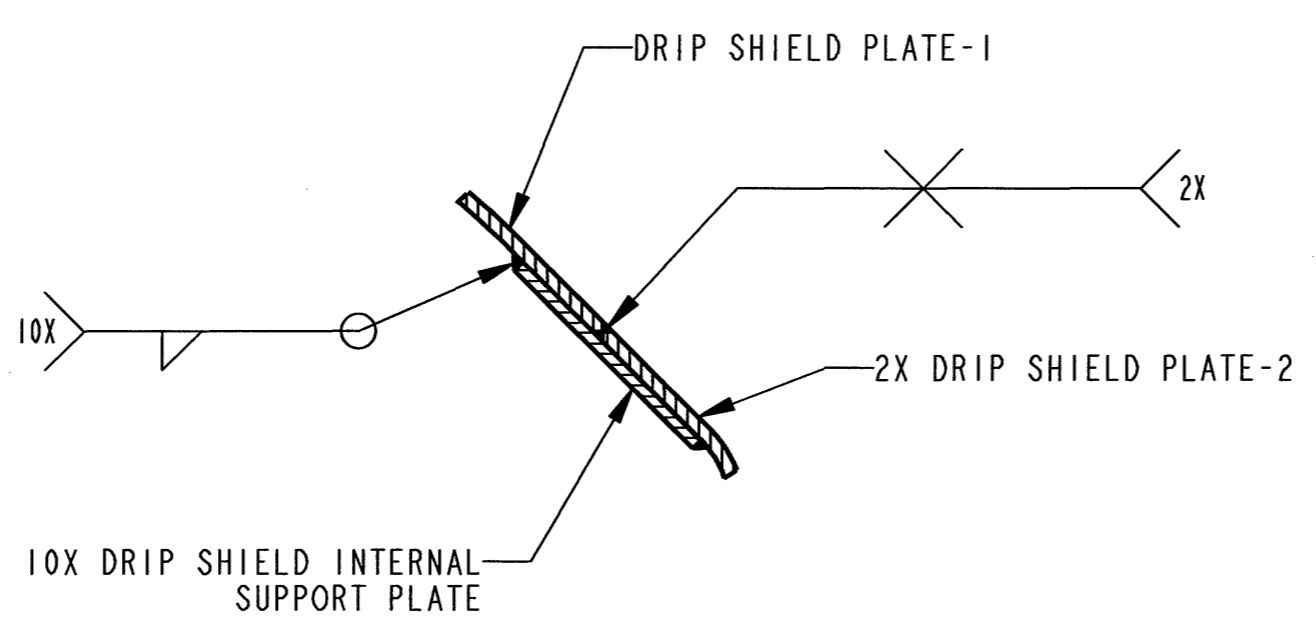
SECTION B-B



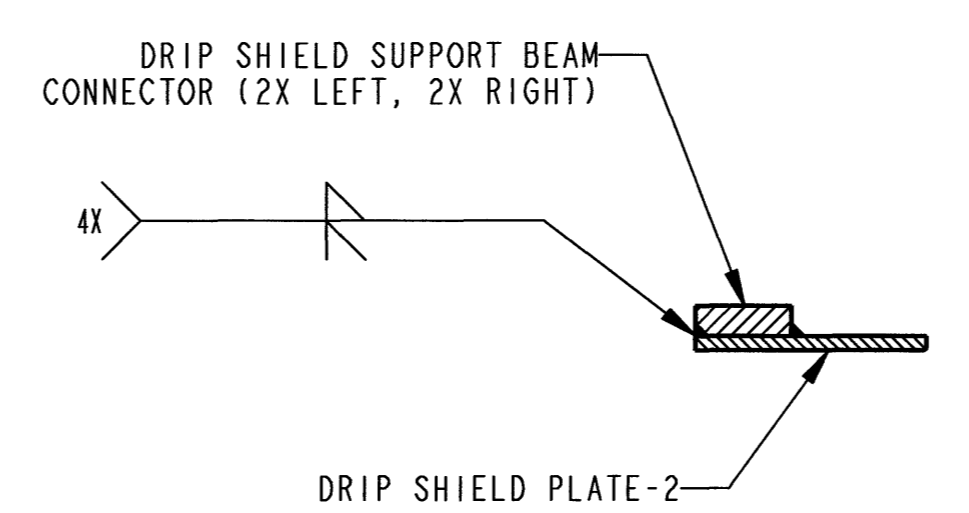
DETAIL G



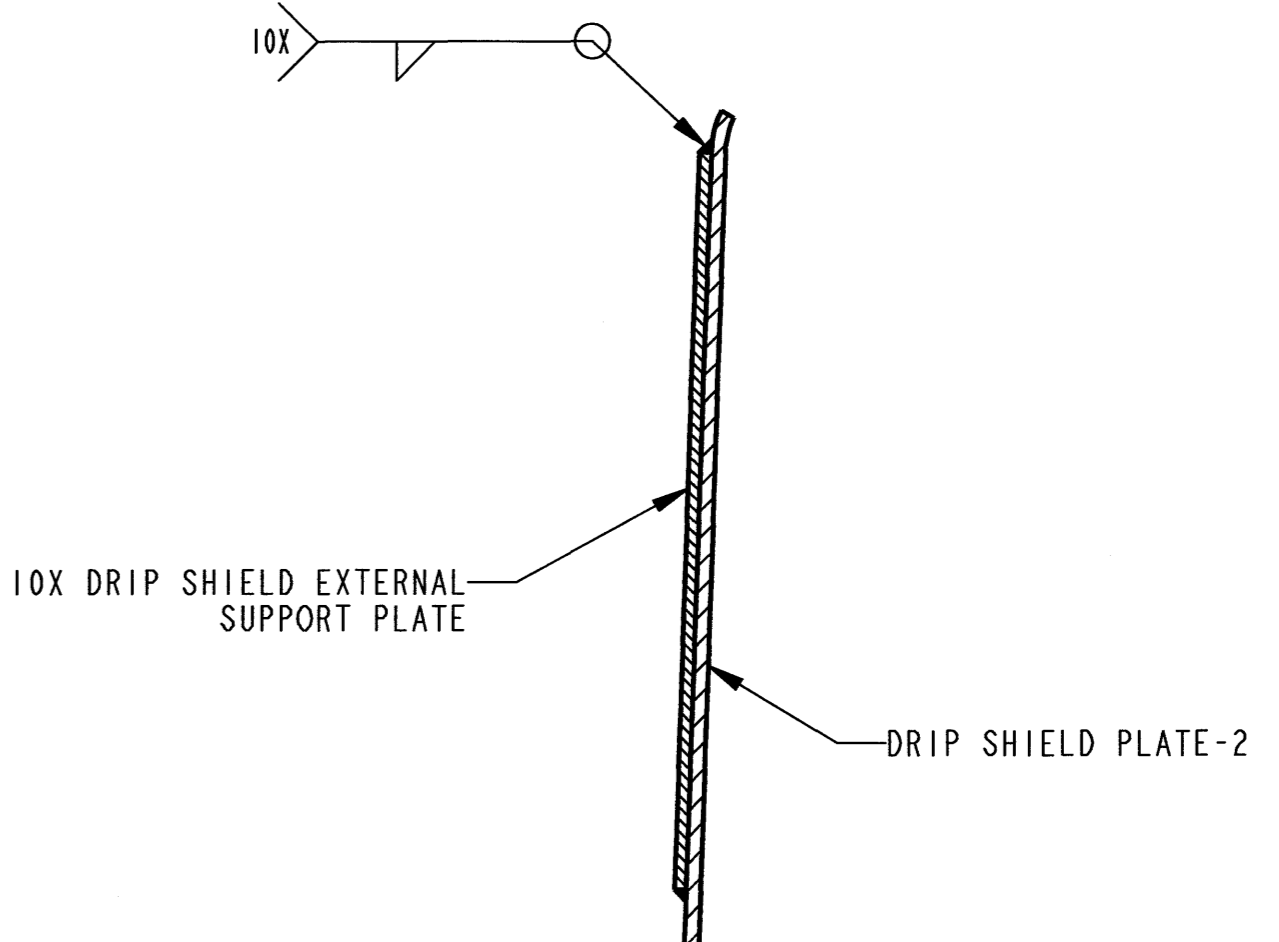
DETAIL E



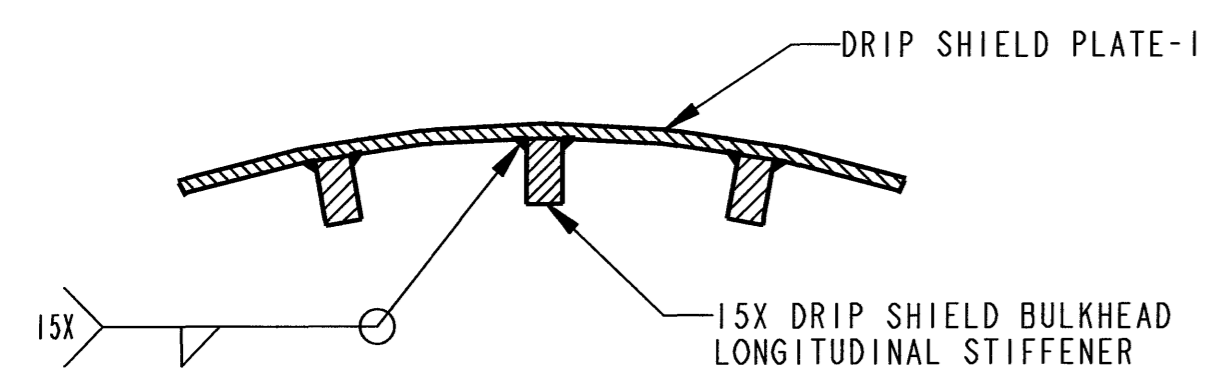
DETAIL D



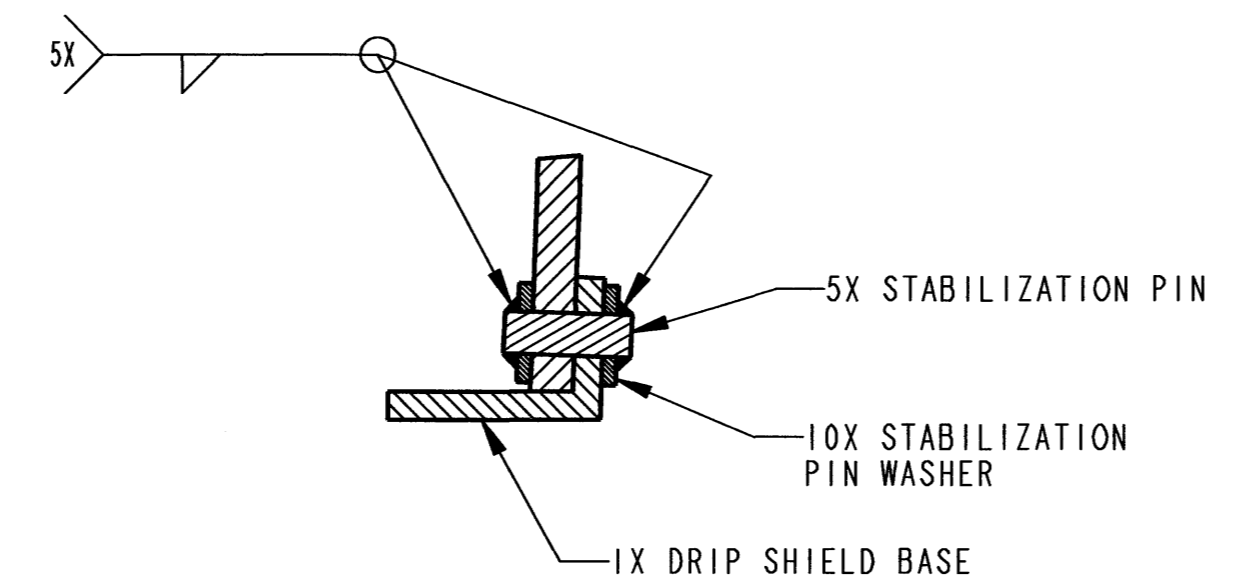
SECTION F-F



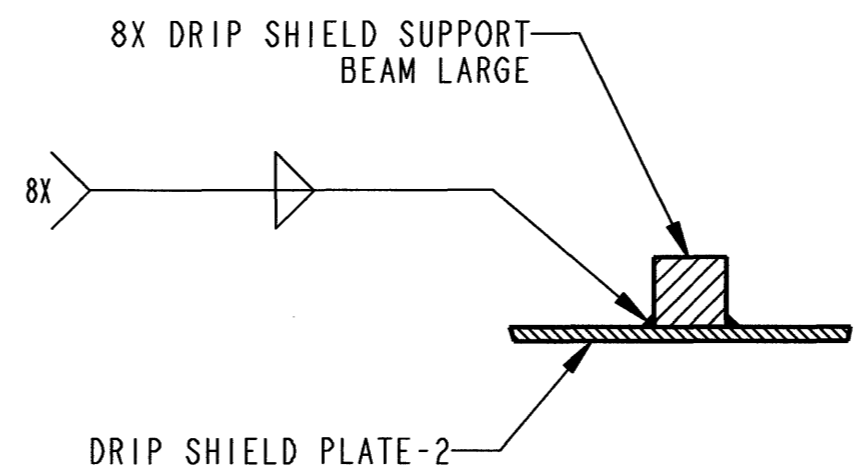
DETAIL B



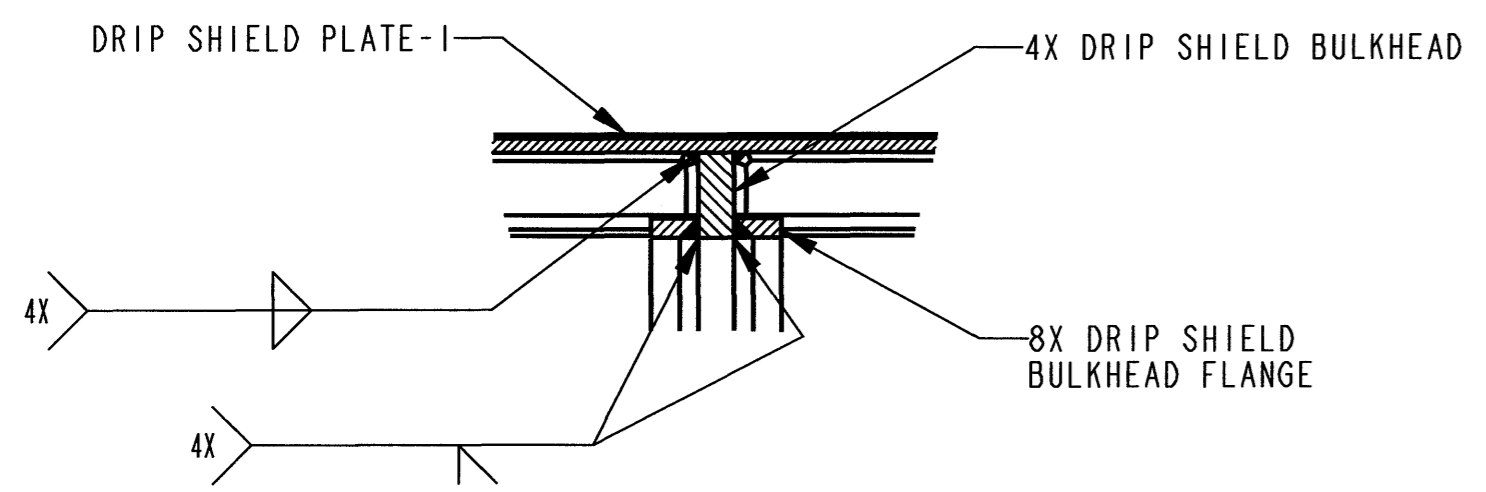
DETAIL C



DETAIL A BOTH SIDES



SECTION V-V



DETAIL F

THIS DRAWING IS PRELIMINARY AND NOT INTENDED FOR CONSTRUCTION, PROCUREMENT OR FABRICATION.

REV	DESCRIPTION	DATE	ORG	CHK	EGS	PE	DEN	OE
00B	EXTENSIVE REVISION TO SHOW FABRICATION WELDS. REMOVED NOTE 3. ADDED DRAWING INDEX. ADDED DESIGN INPUT REFERENCE LIST. ADDED REFERENCE DRAWINGS. UPDATED DRAWING FORMAT.	4/23/07						
00A	INITIAL ISSUE	3/3/04	ZC	DM	AS	CC	N/A	JH

APPROVALS	INITIAL/DATE
ORIGINATOR Z. CEYLAN	ZC 3/3/04
CHECKER D. MCKENZIE	DM 3/3/04
ENGINEERING GROUP SUPERVISOR A. SCHEIDER	AS 3/3/04
PROJECT ENGINEER C. CHAGNON	CC 3/3/04
DISCIPLINE ENGINEERING MANAGER N/A	N/A

SAFETY CLASSIFICATION		DOCUMENT IDENTIFIER:	
AS NOTED		000-M00-SSE0-00502-000	
SIZE D	SCALE NONE	CAD FILE 000-M00-SSE0-00500-000.DRW	REV 00B

U.S. DEPARTMENT OF ENERGY
 Office of Civilian Radioactive Waste Management
 Management and Operation of the Office of
 SAIC CIVILIAN RADIOACTIVE WASTE MANAGEMENT PROGRAM

DRIP SHIELD
 SUB-ASSEMBLY

RECORD DESIGNATOR QA:QA