

NOTES:

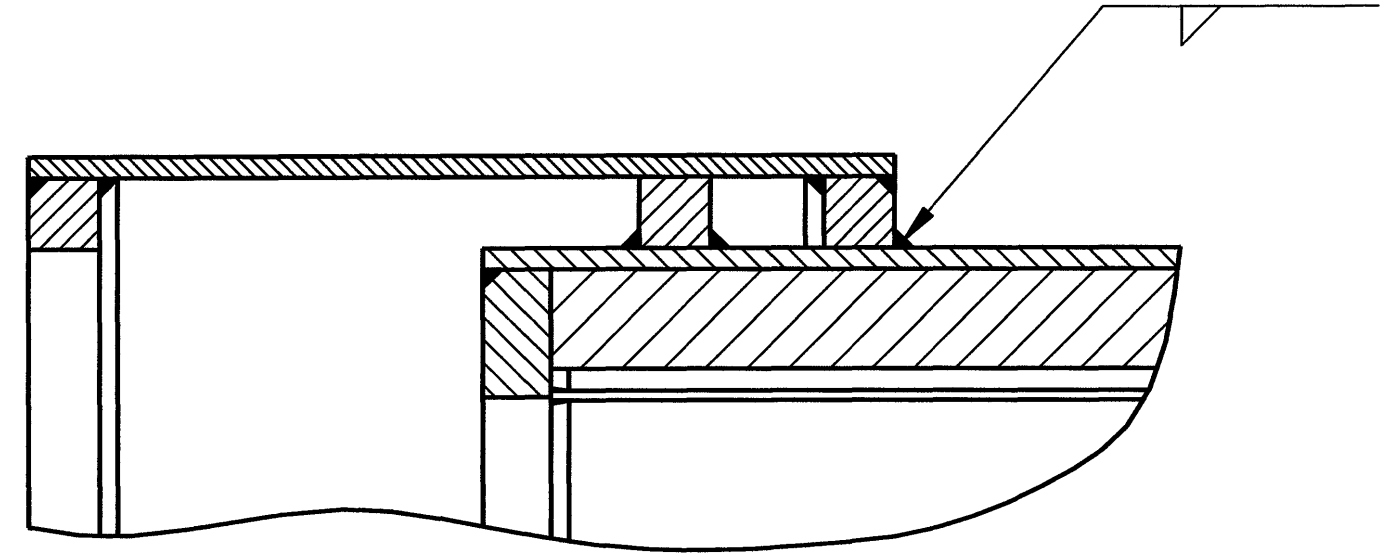
- DO NOT SCALE FROM DRAWING.
- THE DRIP SHIELD IS CLASSIFIED AS IMPORTANT TO WASTE ISOLATION (ITWI).

DESIGN INPUT REFERENCE LIST

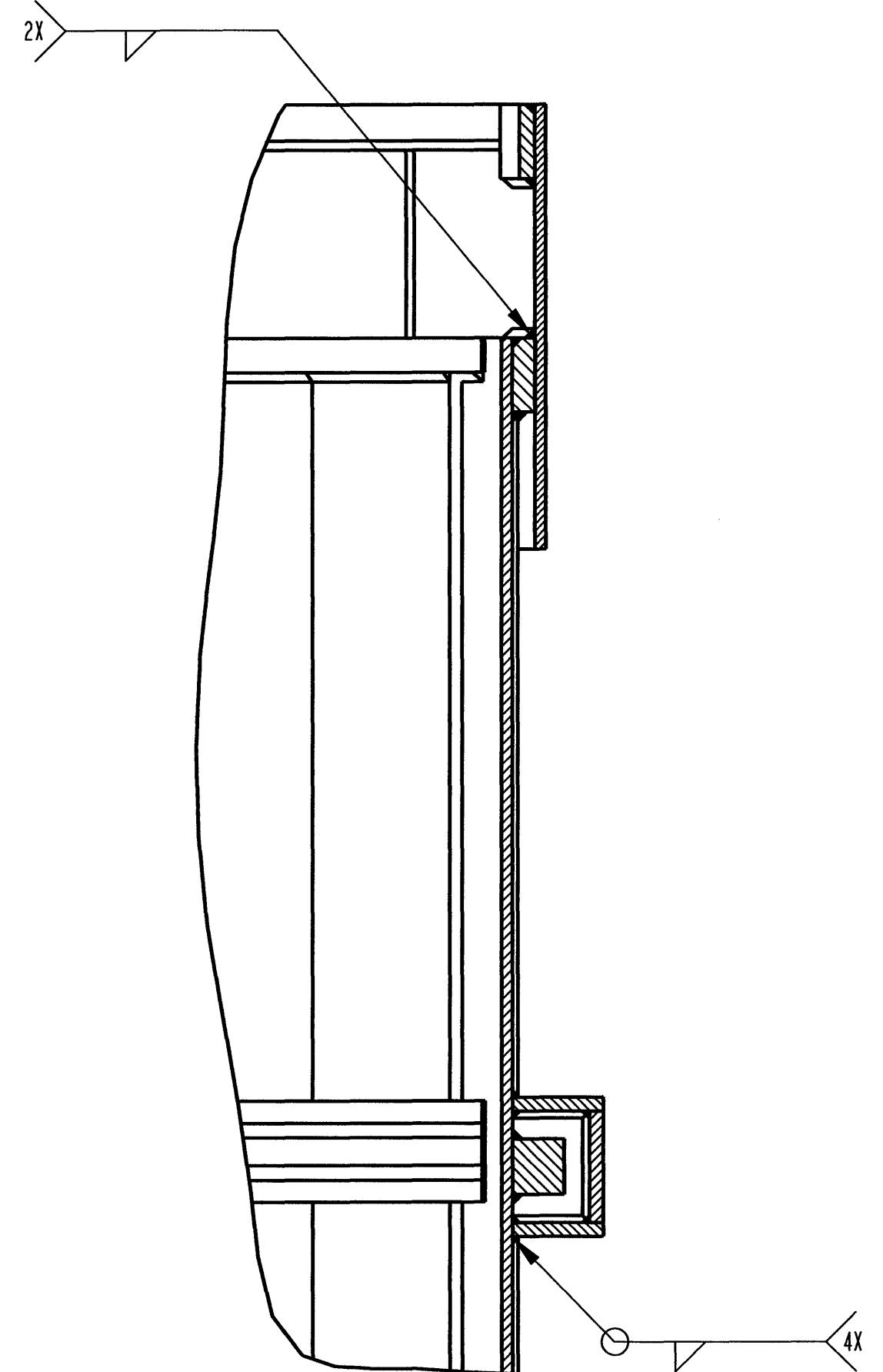
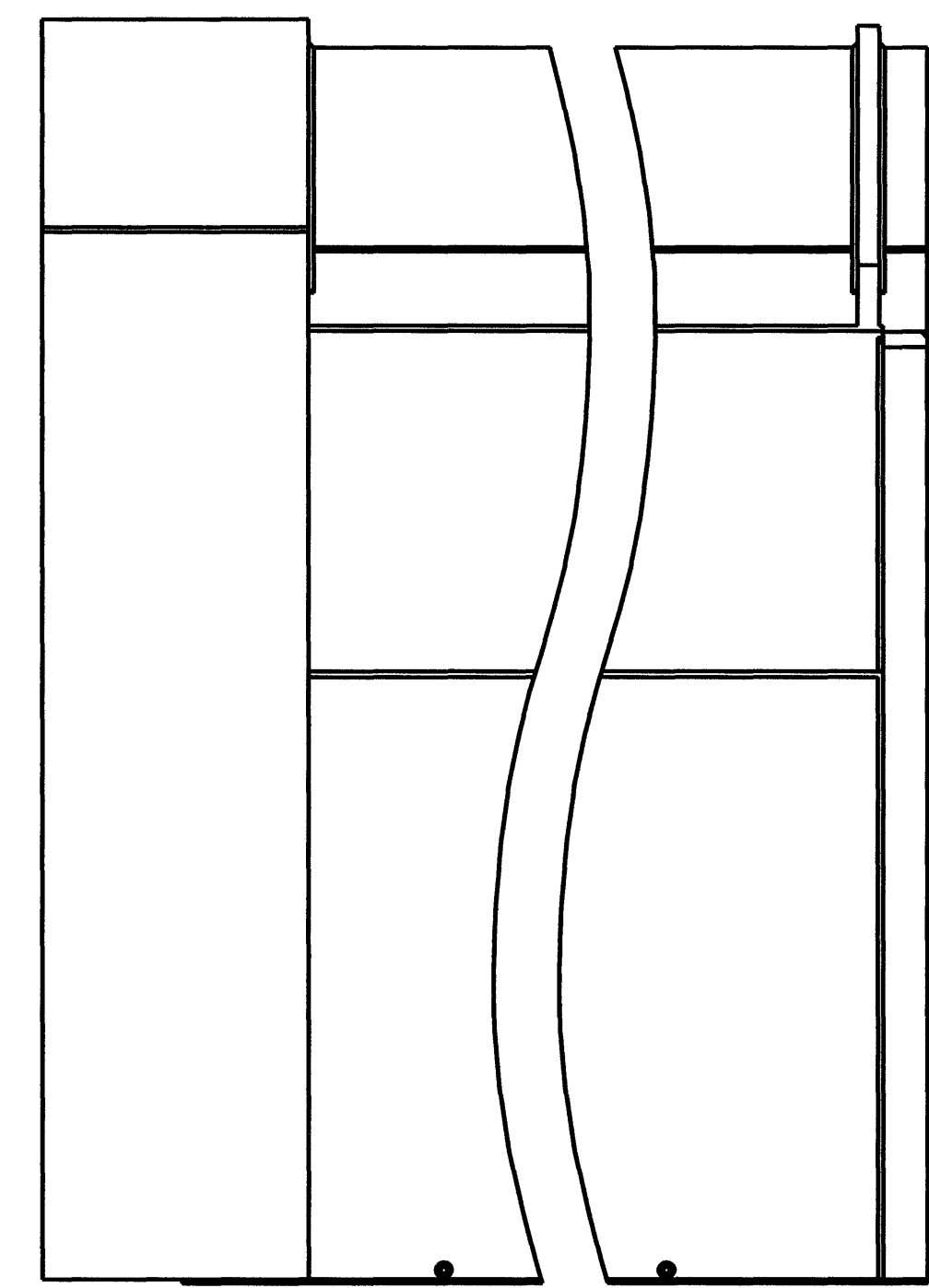
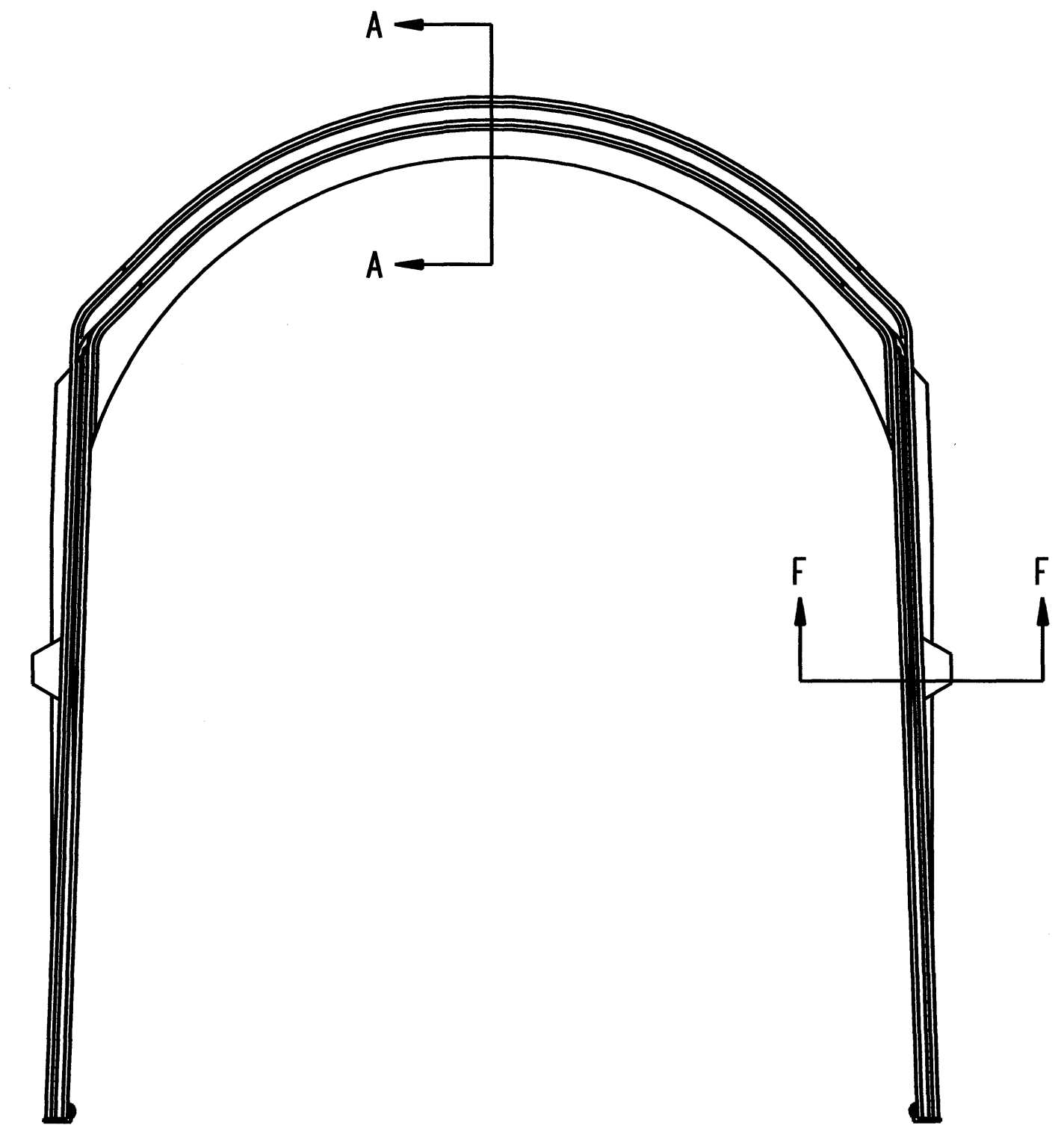
BASIS OF DESIGN FOR THE TAD CANISTER-BASED REPOSITORY
DESIGN CONCEPT 000-3DR-MGRO-00300-000-000.

REFERENCE DRAWINGS

- 000-M00-SSE0-00101-000 INTERLOCKING DRIP SHIELD CONFIGURATION
- 000-M00-SSE0-00102-000 INTERLOCKING DRIP SHIELD CONFIGURATION
- 000-M00-SSE0-00103-000 INTERLOCKING DRIP SHIELD CONFIGURATION



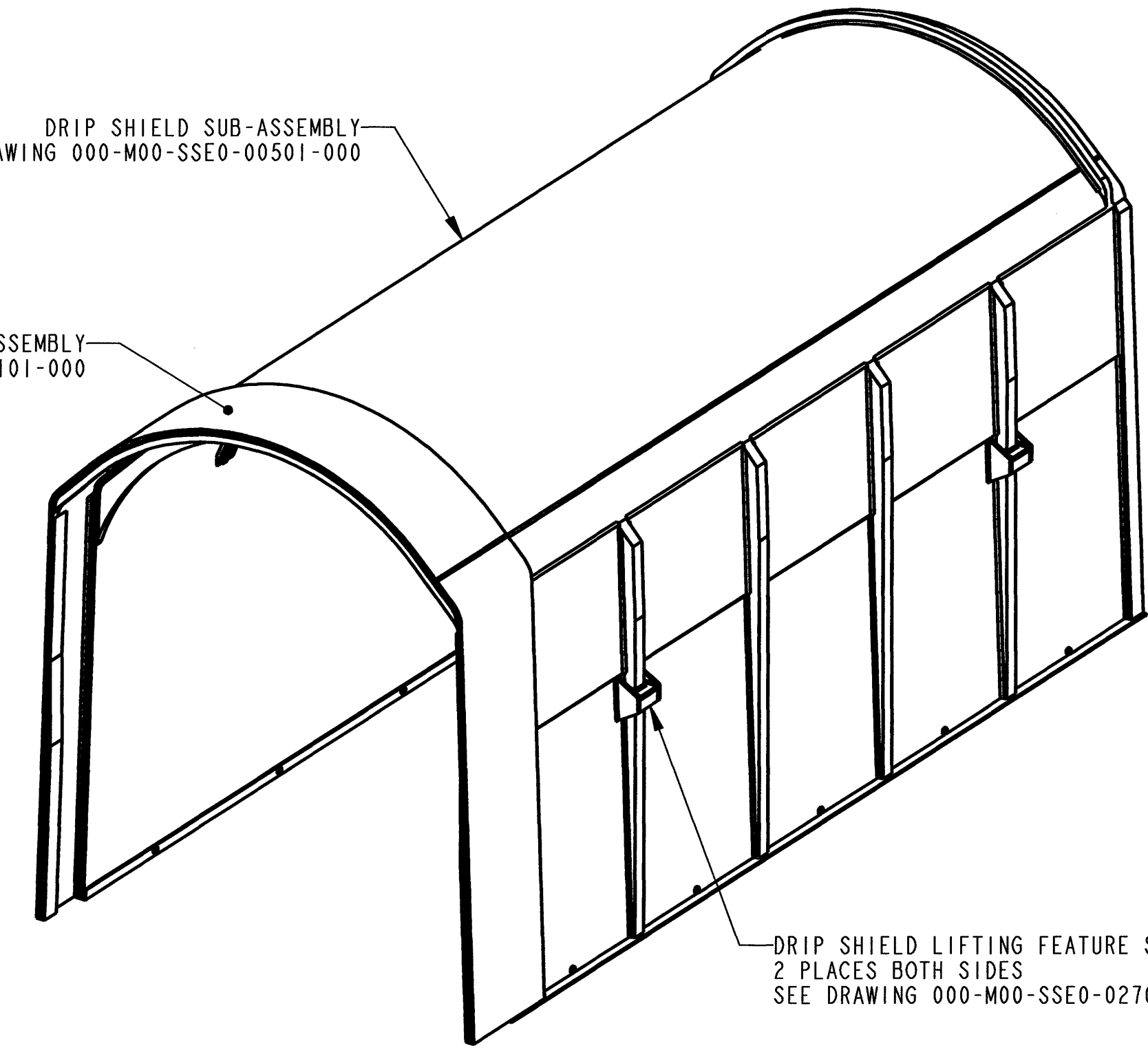
SECTION A-A



SECTION F-F

DRIP SHIELD SUB-ASSEMBLY
SEE DRAWING 000-M00-SSE0-00501-000

DRIP SHIELD CONNECTOR (DSC) SUB-ASSEMBLY
SEE DRAWING 000-M00-SSE0-02101-000



ISO VIEW

THIS DRAWING IS PRELIMINARY AND NOT INTENDED FOR CONSTRUCTION, PROCUREMENT OR FABRICATION.

00B	EXTENSIVE REVISION TO SHOW FABRICATION WELDS. REMOVED EXPLODED VIEW. REMOVED NOTE 3. UPDATED VIEWS TO REFLECT CHANGES ON DRIP SHIELD CONNECTOR SUPPORT BEAMS. ADDED DESIGN INPUT REFERENCE LIST. ADDED REFERENCE DRAWINGS. UPDATED DRAWING FORMAT.	4/03/07	ZC	DM	AS	CC	N/A	JH
00A	INITIAL ISSUE	3/3/04	ZC	DM	AS	CC	N/A	JH
REV	DESCRIPTION	DATE	ORG	CHK	EGS	PE	DEM	QC
REVISION HISTORY								
ORIGINATOR	Z. CEYLAN	INITIAL/DATE	ZC	3/3/04	U.S. DEPARTMENT OF ENERGY Office of Civilian Radioactive Waste Management Management and Operation of the Office of Civilian Radioactive Waste Management Program			
CHECKER	D. MCKENZIE	DM	3/3/04	BECHTEL SAIC				
ENGINEERING GROUP SUPERVISOR	A. SCHEIDER	AS	3/3/04	INTERLOCKING DRIP SHIELD MAIN ASSEMBLY				
PROJECT ENGINEER	C. CHAGNON	CC	3/3/04					
DISCIPLINE ENGINEERING MANAGER	N/A	N/A						
SAFETY CLASSIFICATION	AS NOTED	DOCUMENT IDENTIFIER:	000-M00-SSE0-00401-000					
SIZE	D	SCALE	NONE	CAD FILE	000-M00-SSE0-00401-000.DRW			
QC CONCURRENCE	J. HEANEY	JH	3/3/04	REV	00B			