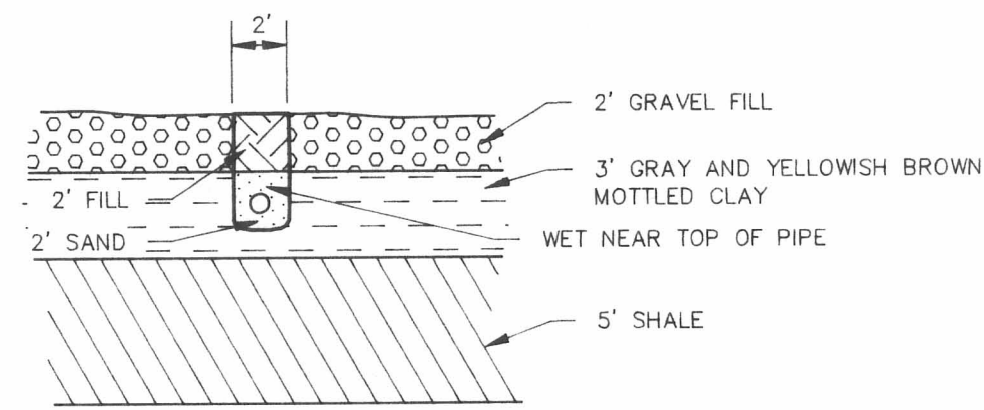
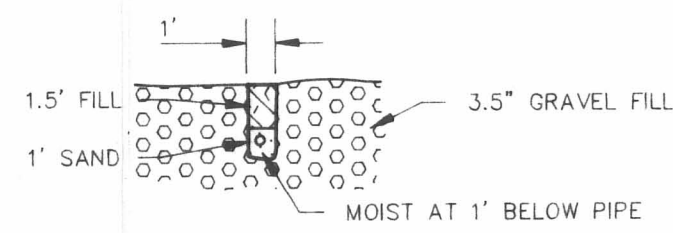


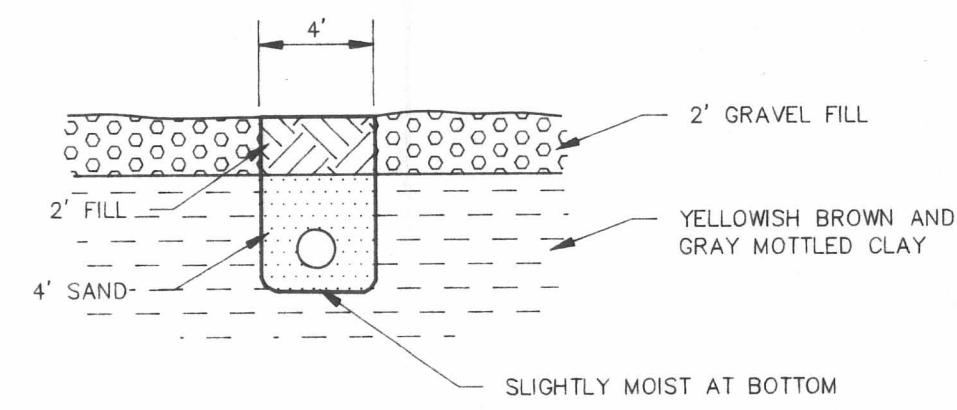
EXCAVATION SITE #1



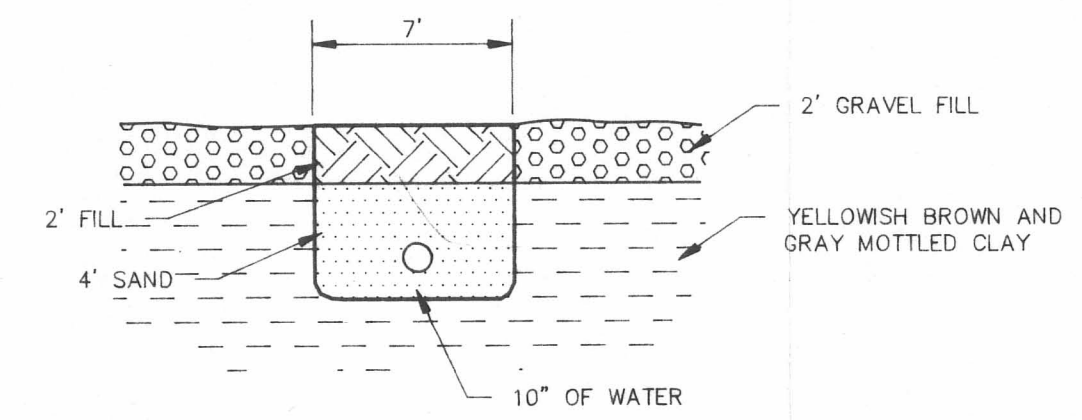
EXCAVATION SITE #2



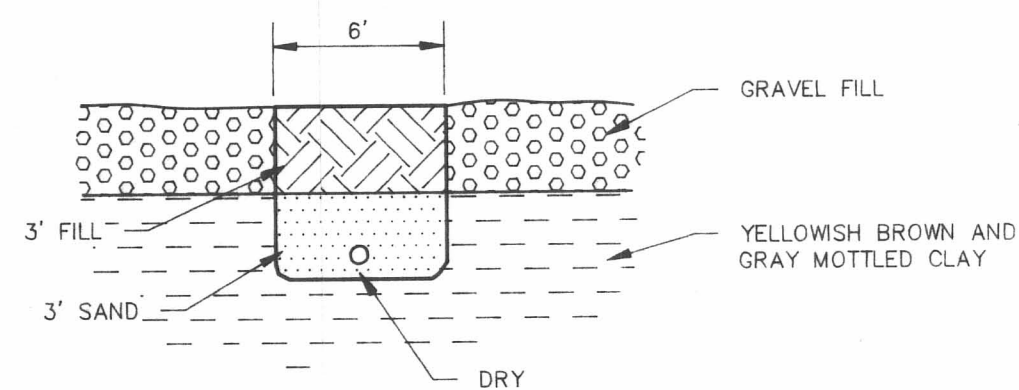
EXCAVATION SITE #3



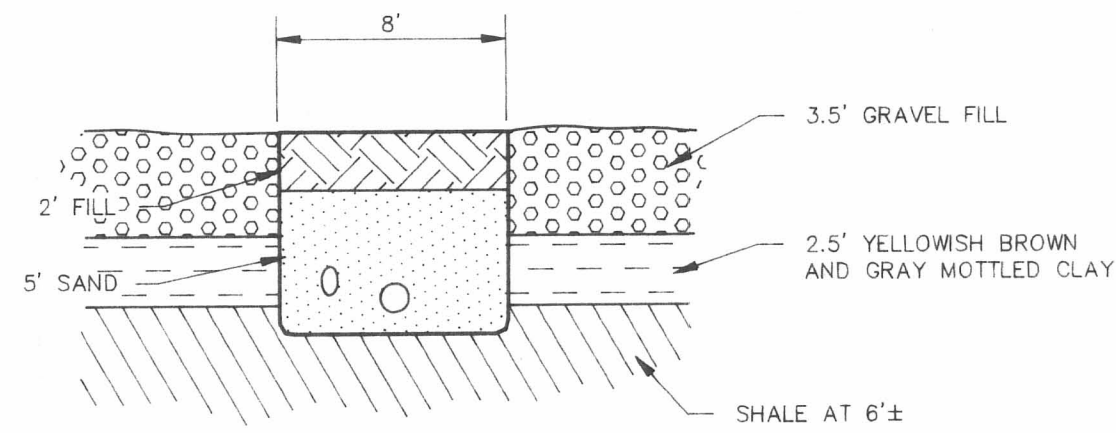
EXCAVATION SITE #4



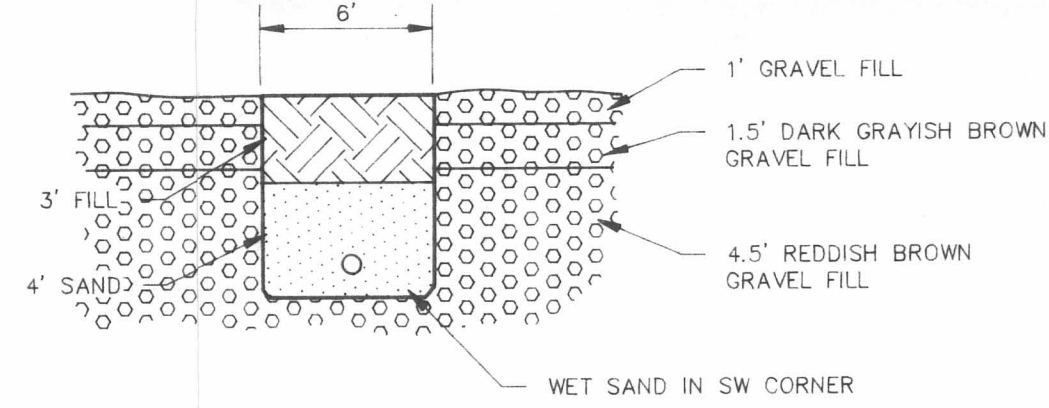
EXCAVATION SITE #5



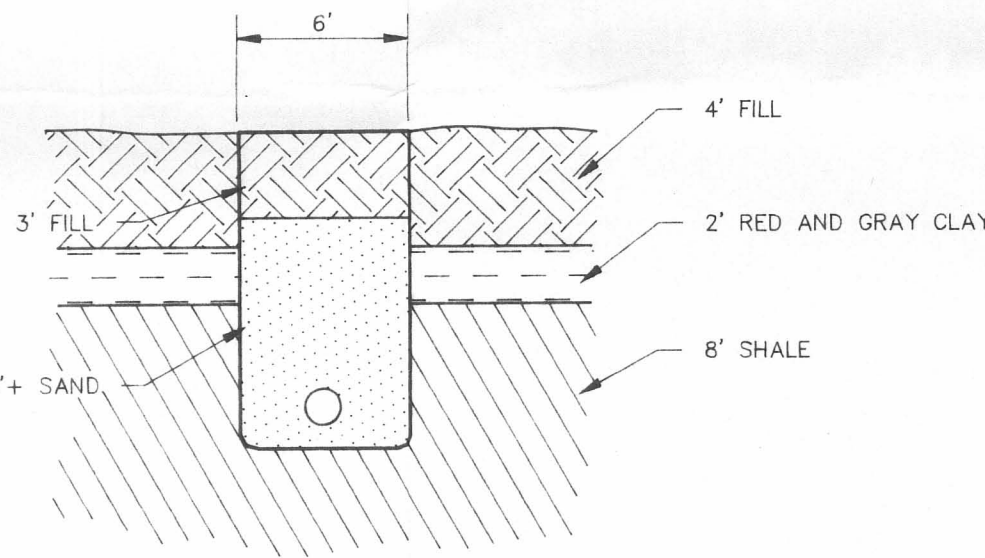
EXCAVATION SITE #6



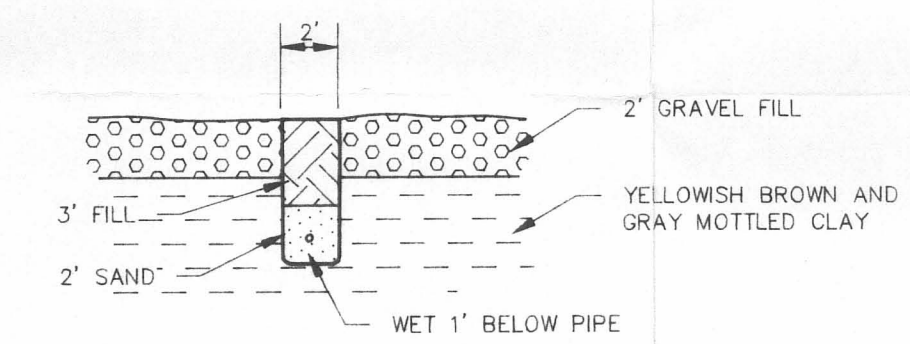
EXCAVATION SITE #7



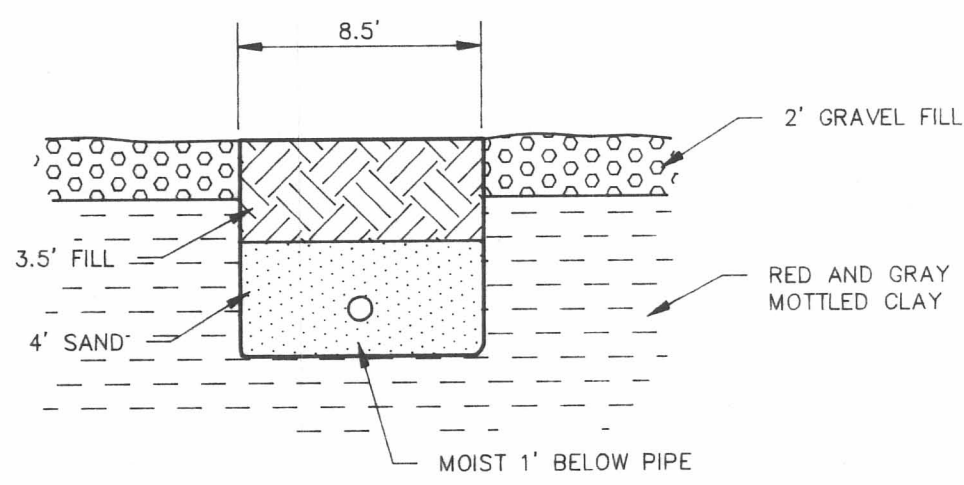
EXCAVATION SITE #8



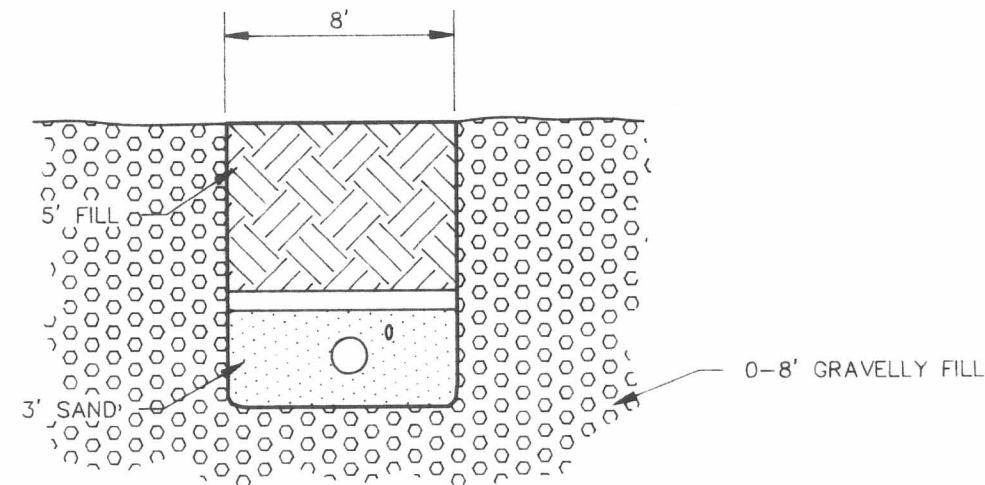
EXCAVATION SITE #9



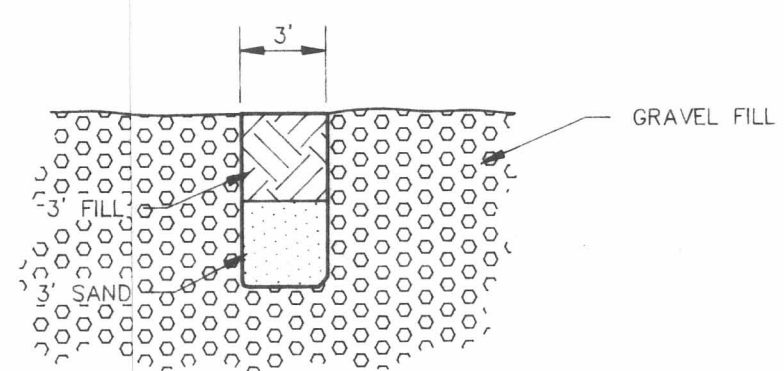
EXCAVATION SITE #10



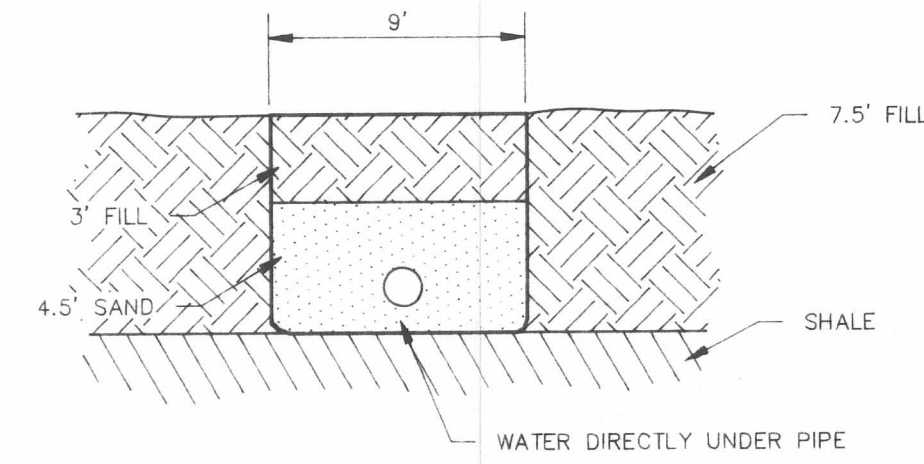
EXCAVATION SITE #11



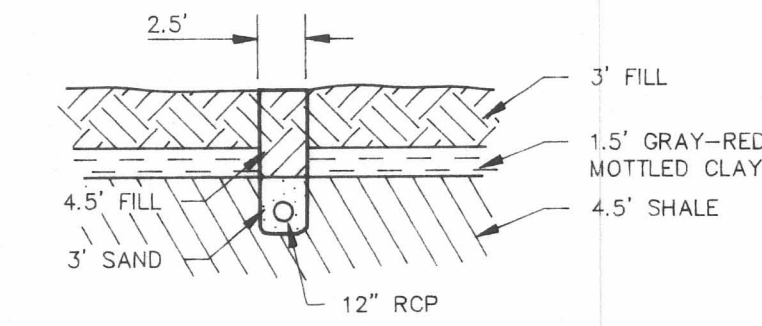
EXCAVATION SITE #12



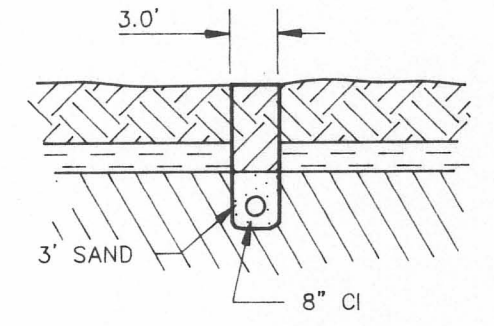
EXCAVATION SITE #13



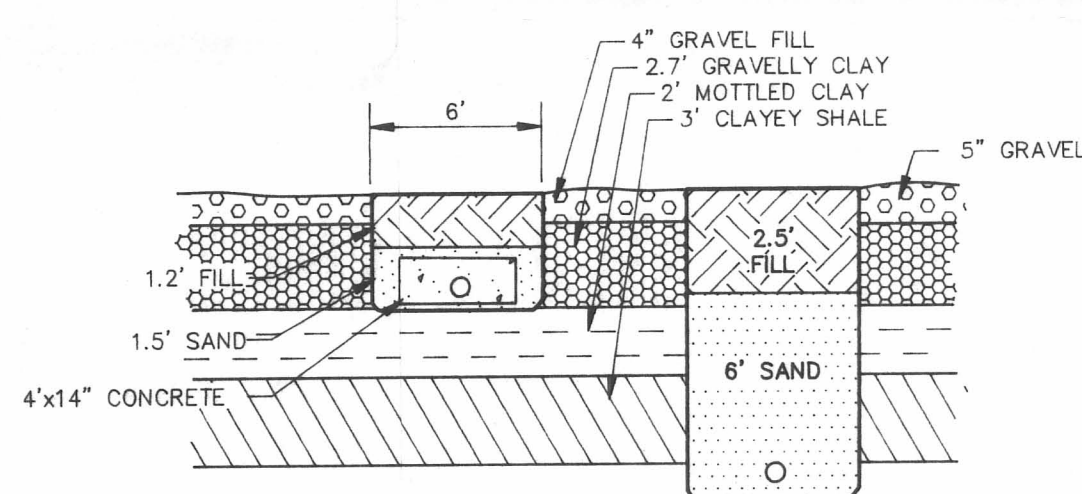
EXCAVATION SITE #14



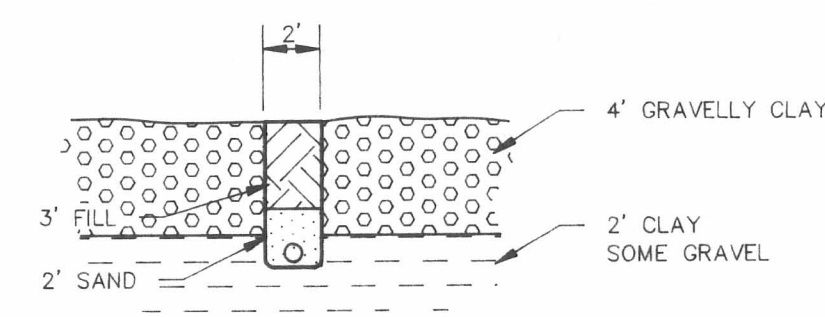
EXCAVATION SITE #15



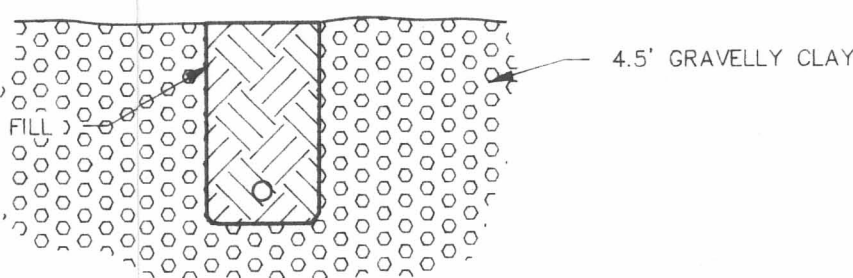
EXCAVATION SITE #15A



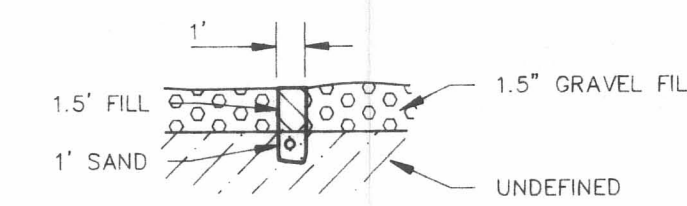
EXCAVATION SITE #16



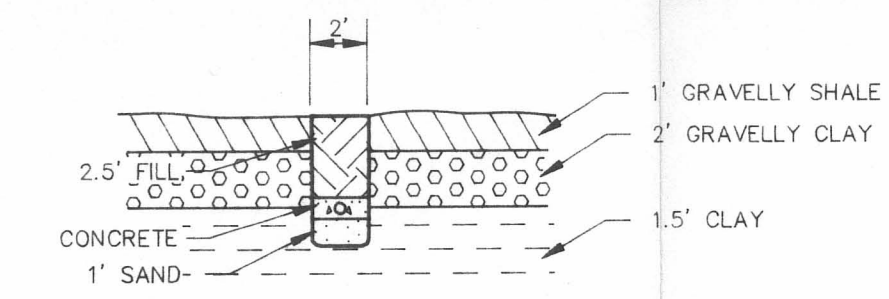
EXCAVATION SITE #17



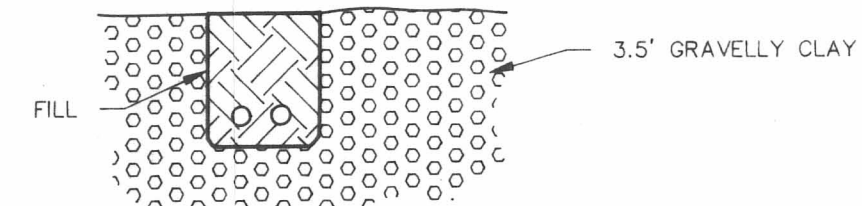
EXCAVATION SITE #18



EXCAVATION SITE #19



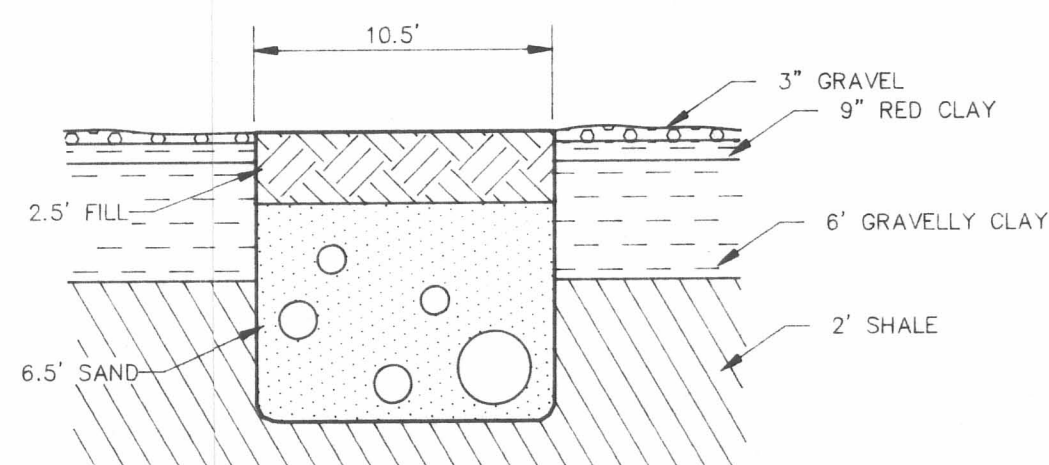
EXCAVATION SITE #20



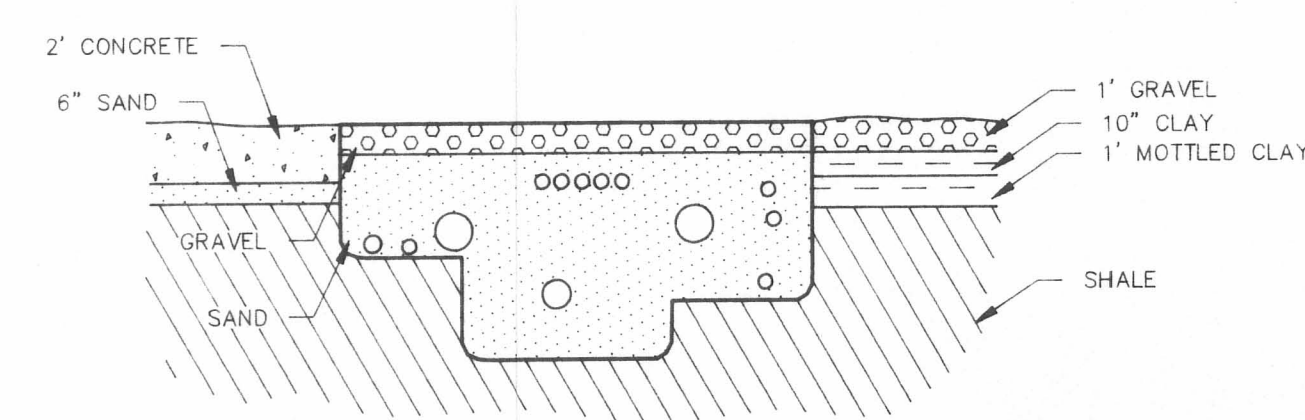
EXCAVATION SITE #21

NO CROSS-SECTION AVAILABLE AT THIS TIME

EXCAVATION SITE #22



EXCAVATION SITE #23



EXCAVATION SITE #24

NOTE: ALL CROSS-SECTIONS WERE PREPARED FROM SEQUOYAH FUELS, CORP. FIELD NOTES.

D13

DRAWING NO.: UTILITY TRENCH CROSS-SECTIONS	Client: SEQUOYAH FUELS CORPORATION
Document Title: FEI FINAL FINDINGS REPORT	Location: GORE, OKLAHOMA
ROBERTS/SCHORNICK & ASSOCIATES, INC. Environmental Consultants 3700 West Robinson, Suite 200 Norman, Oklahoma 73072 (405) 321-3800	
DATE: 6/13/91	PREPARED BY: B.J.S.
SCALE: N.T.S.	CHECKED BY: H.M.S.
PROJECT NO: 90067 M11	DRAFTED BY: RML
	DRAWING NO.: 13