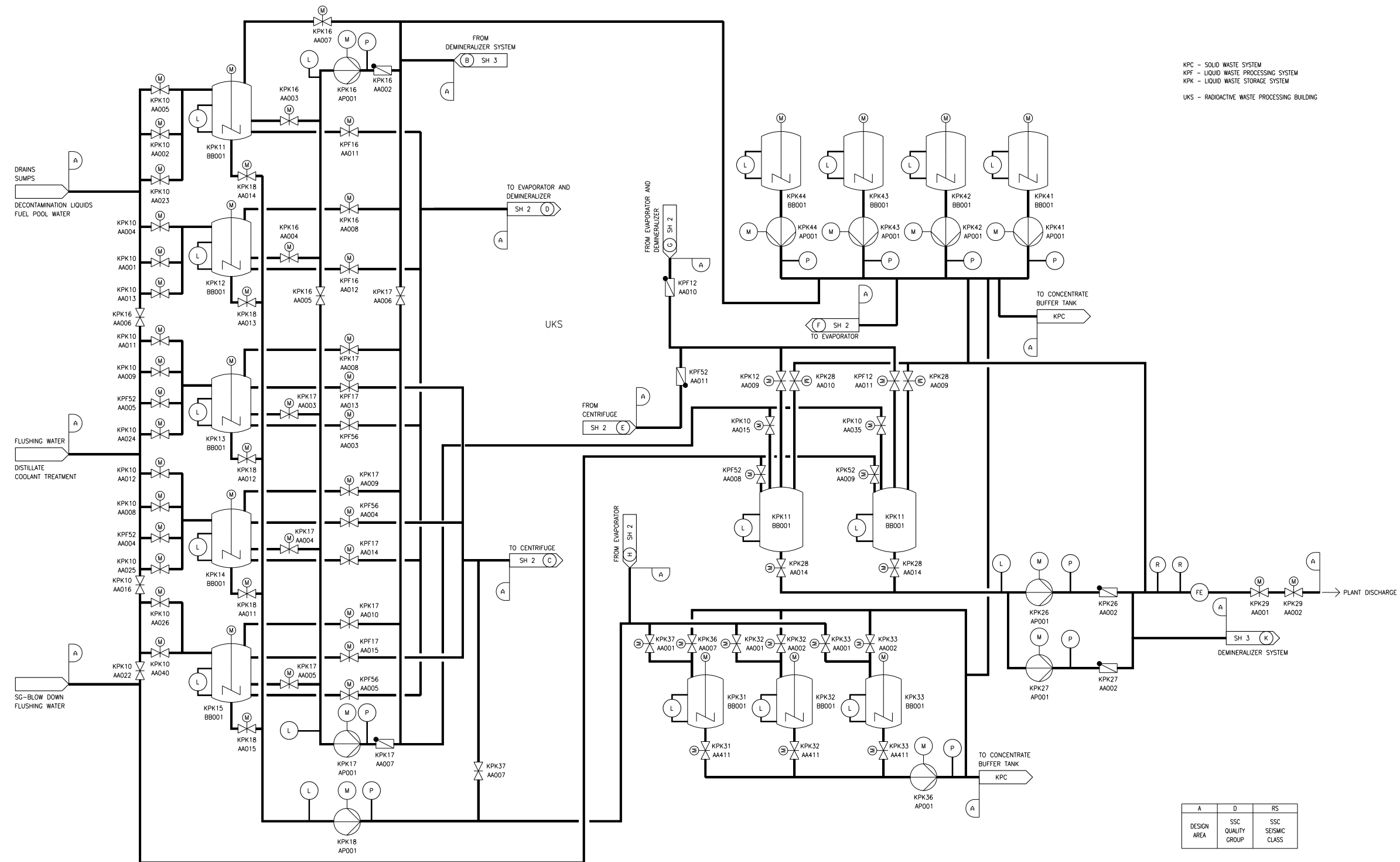
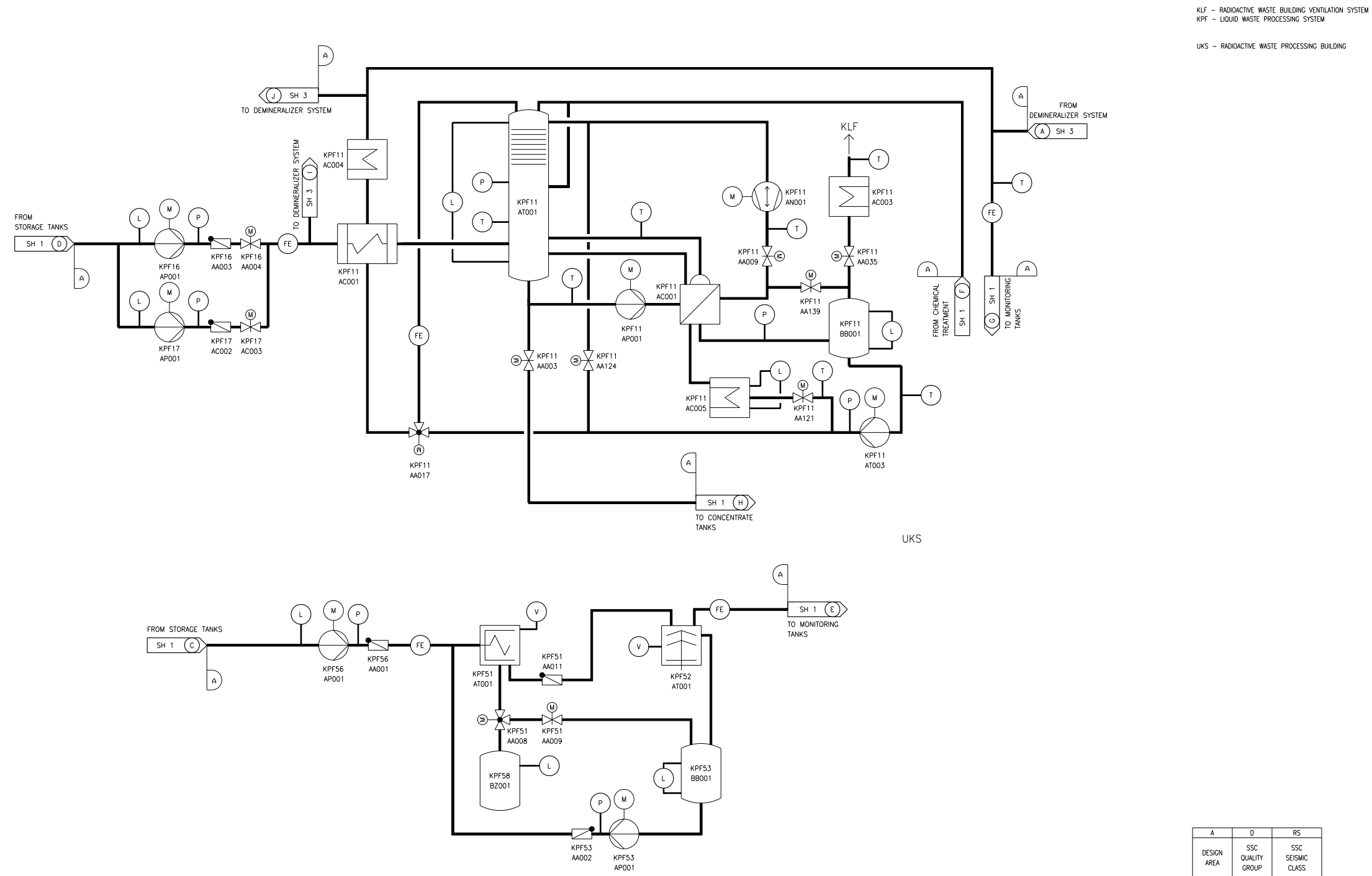


Figure 11.2-1—Liquid Waste Storage System



REV 001
KPF01T2

Figure 11.2-2—Liquid Waste Processing System, Evaporator System



REV 001
 KPF02T2

