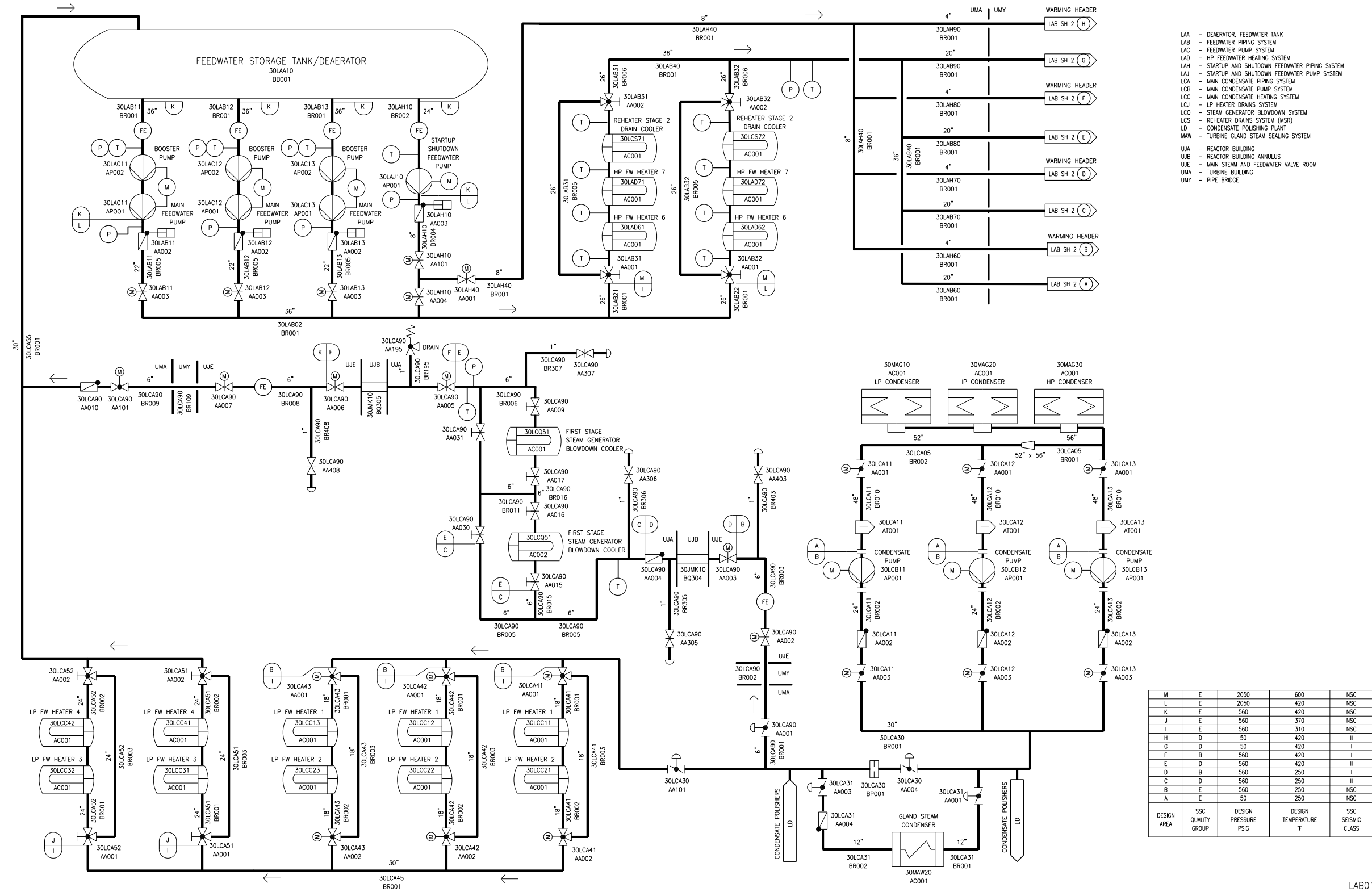
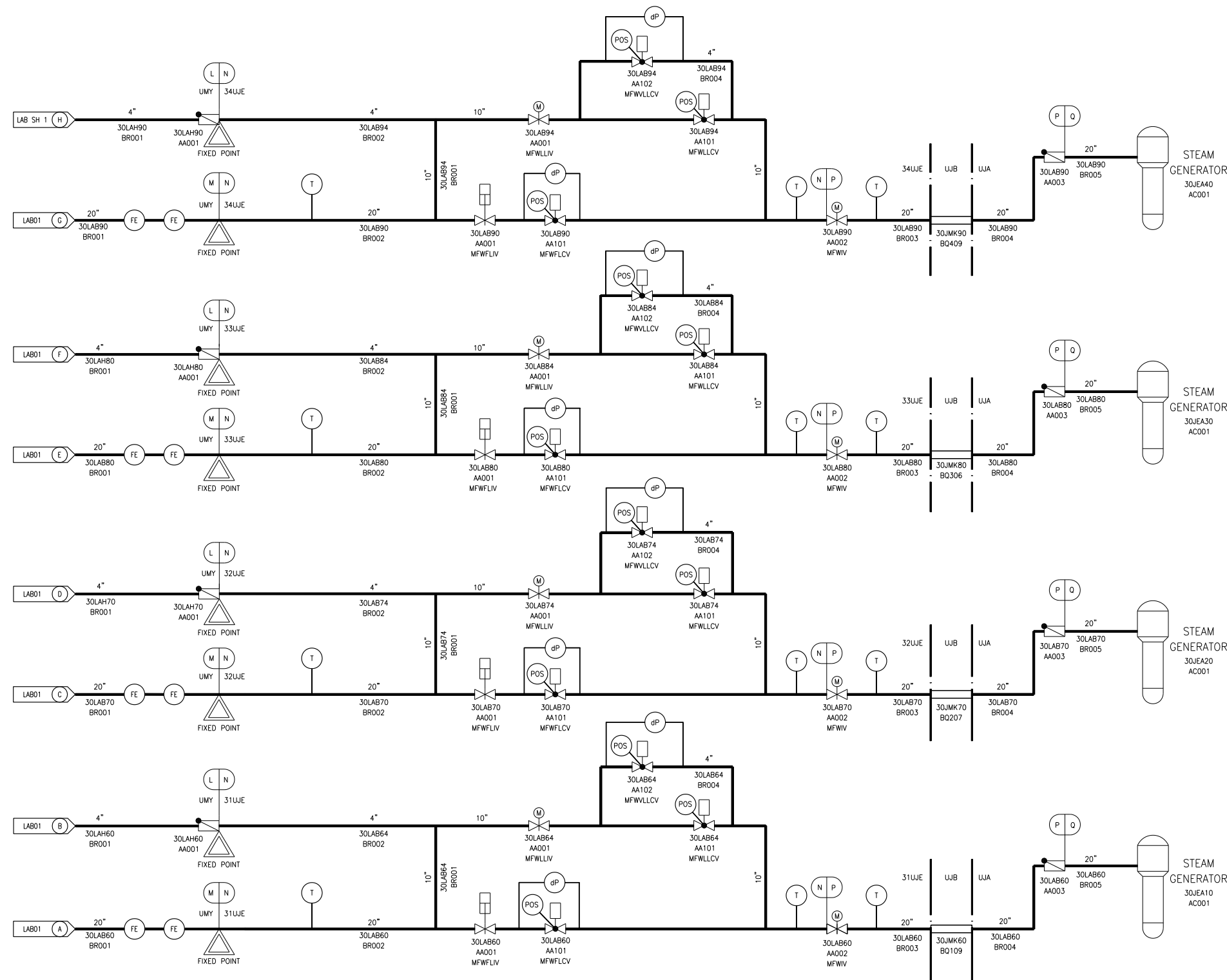


Figure 10.4.7-1—Condensate and Feedwater System  
Sheet 1 of 2



LAB0112

Figure 10.4.7-1—Condensate and Feedwater System  
Sheet 2 of 2



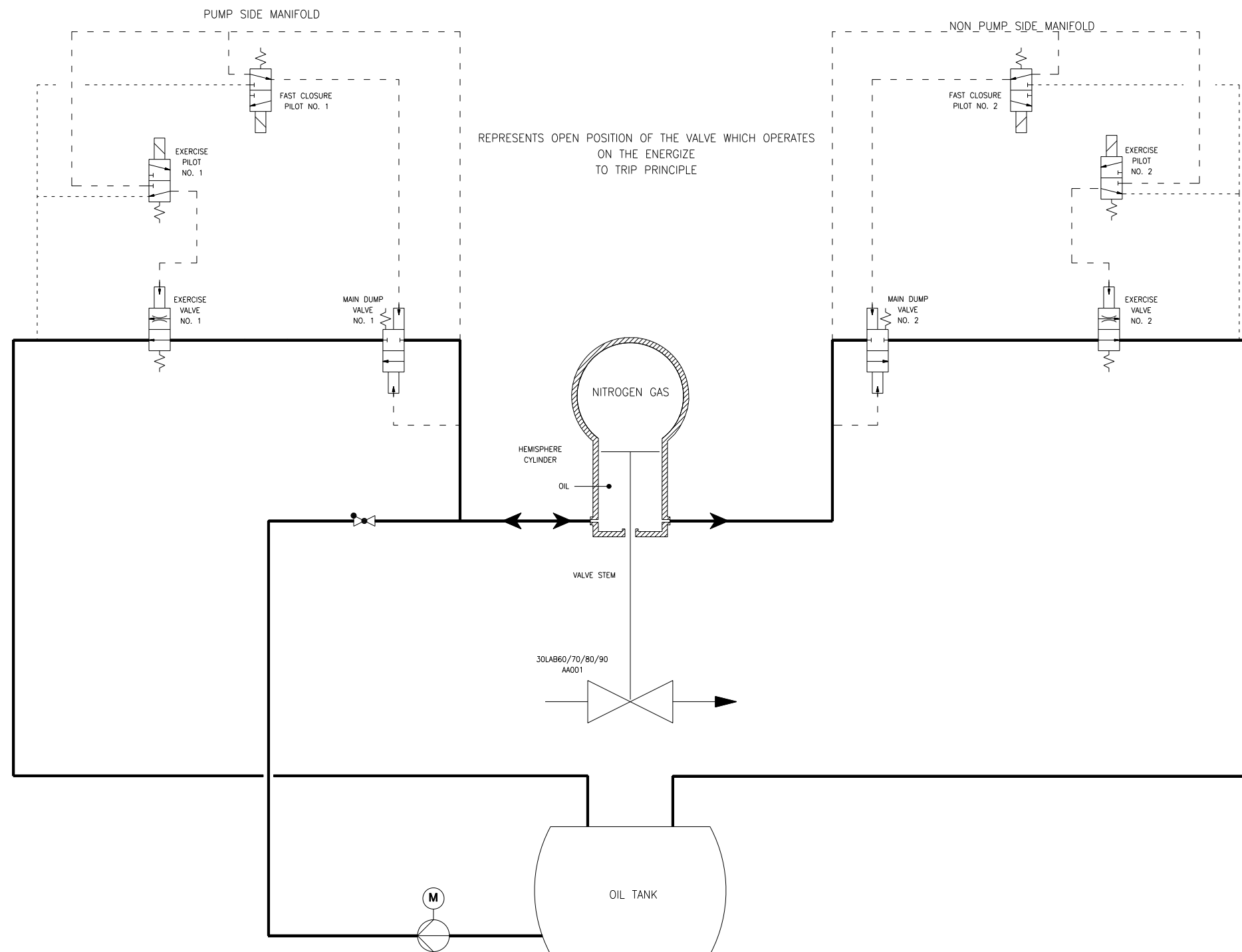
JEA - STEAM GENERATOR  
LAB - FEEDWATER PIPING SYSTEM  
LAH - STARTUP AND SHUTDOWN FEEDWATER PIPING SYSTEM  
UJA - REACTOR BUILDING  
UJB - REACTOR BUILDING ANNULUS  
31UJE - MAIN STEAM AND FEEDWATER VALVE ROOM, DIVISION 1  
32UJE - MAIN STEAM AND FEEDWATER VALVE ROOM, DIVISION 2  
33UJE - MAIN STEAM AND FEEDWATER VALVE ROOM, DIVISION 3  
34UJE - MAIN STEAM AND FEEDWATER VALVE ROOM, DIVISION 4  
UMY - PIPE BRIDGE

MFWFLCV - MAIN FEEDWATER FULL LOAD CONTROL VALVE  
MFWFLV - MAIN FEEDWATER FULL LOAD ISOLATION VALVE  
MFWLLCV - MAIN FEEDWATER LOW LOAD CONTROL VALVE  
MFWLLV - MAIN FEEDWATER LOW LOAD ISOLATION VALVE  
MFWV - MAIN FEEDWATER VERY LOW LOAD CONTROL VALVE  
MFWIV - MAIN FEEDWATER ISOLATION VALVE

Q	B	1435	600	I
P	B	2050	600	I
N	C	2050	600	I
M	E	2050	600	NSC
L	E	2050	420	NSC
DESIGN AREA	SSC QUALITY GROUP	DESIGN PRESSURE PSIG	DESIGN TEMPERATURE °F	SSC SEISMIC CLASS

REV 001  
LAB02T2

Figure 10.4.7-2—Feedwater Full Load Isolation Valve Hydraulic Actuators



LAB001 T2