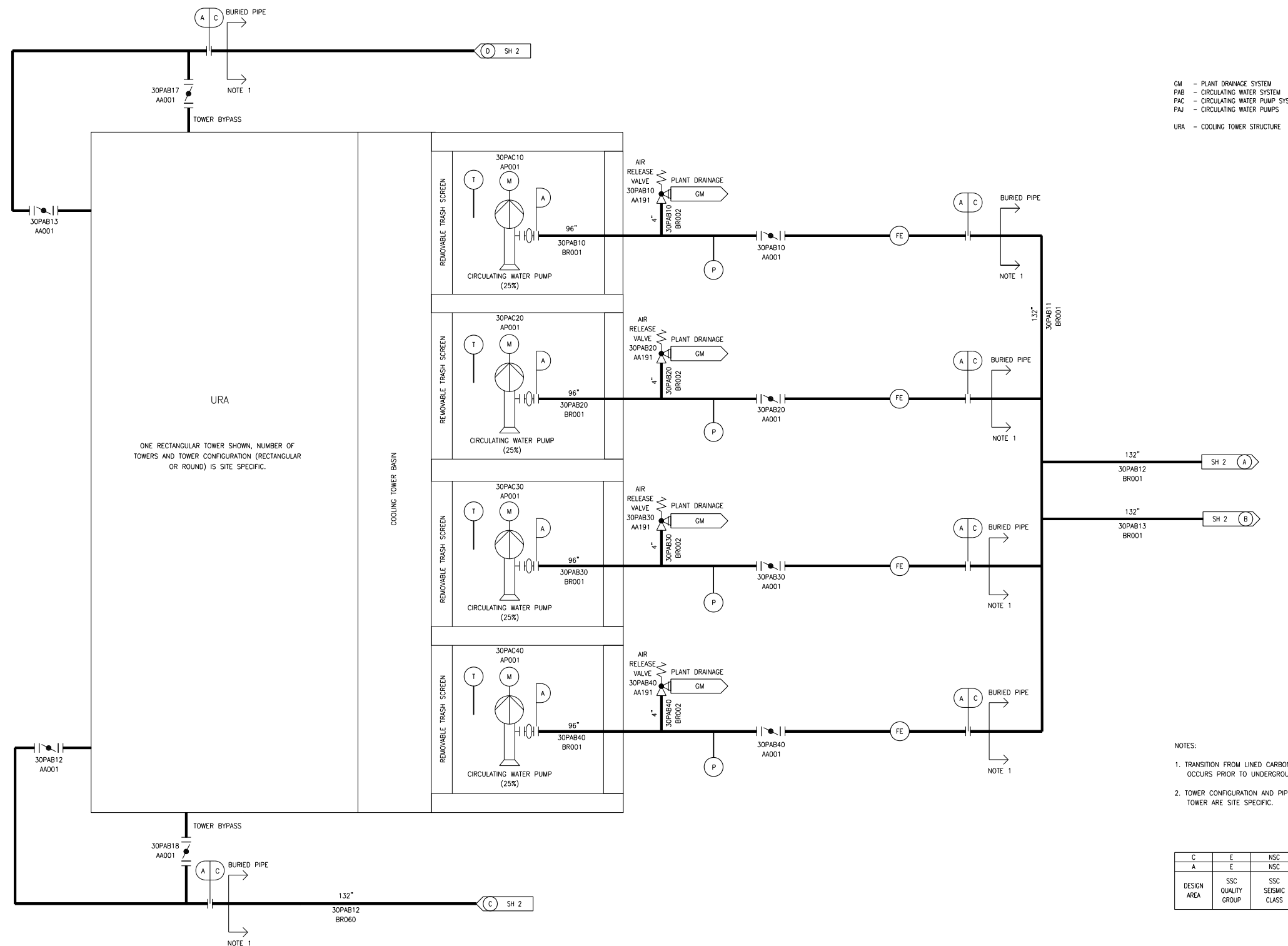
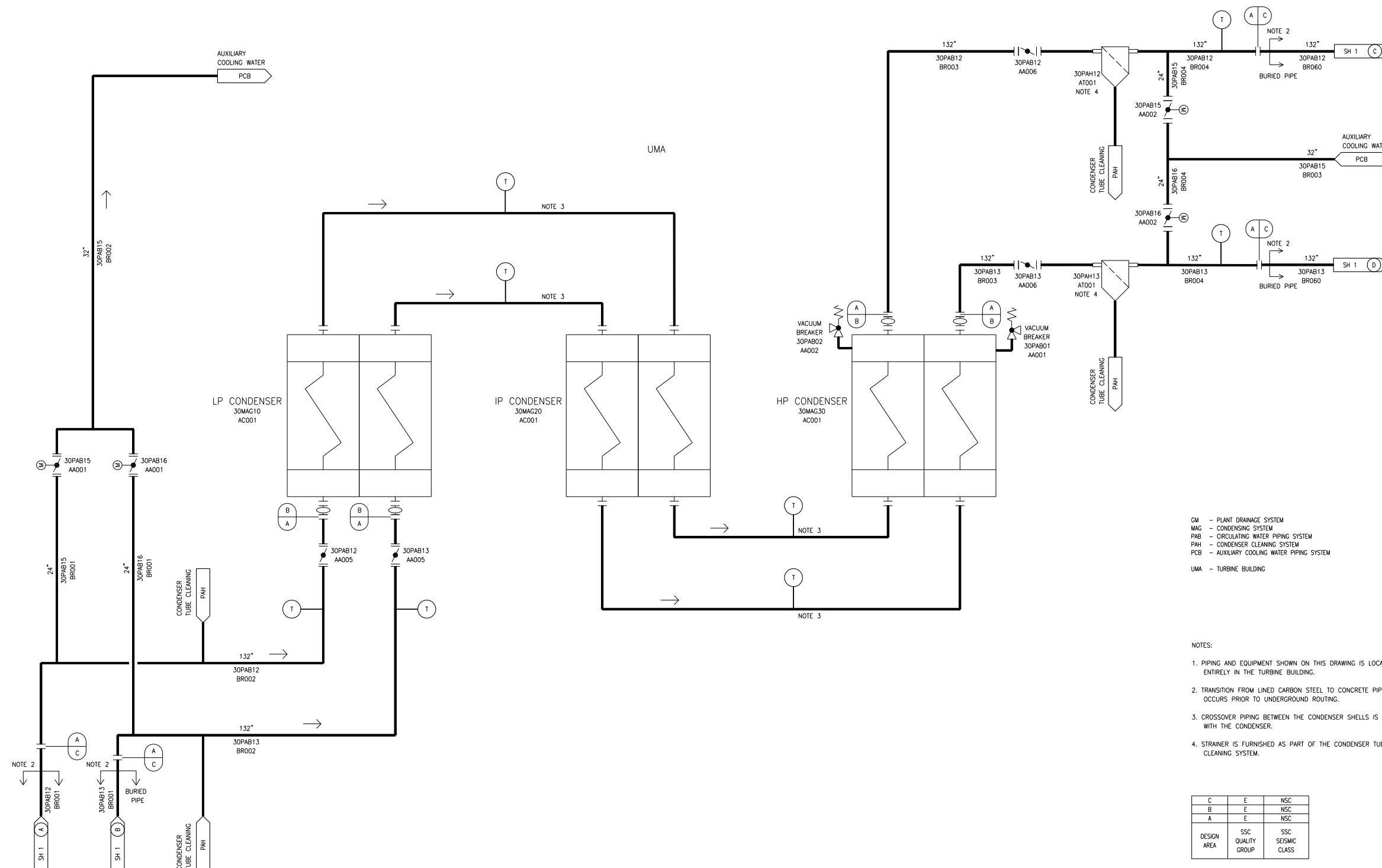


Figure 10.4.5-1—Circulating Water System Flow Diagram
Sheet 1 of 2



PAB01T2

Figure 10.4.5-1—Circulating Water System Flow Diagram
Sheet 2 of 2



GM - PLANT DRAINAGE SYSTEM
MAG - CONDENSING SYSTEM
PAB - CIRCULATING WATER PIPING SYSTEM
PAH - CONDENSER CLEANING SYSTEM
PCB - AUXILIARY COOLING WATER PIPING SYSTEM
UMA - TURBINE BUILDING

NOTES:

1. PIPING AND EQUIPMENT SHOWN ON THIS DRAWING IS LOCATED ENTIRELY IN THE TURBINE BUILDING.
2. TRANSITION FROM LINED CARBON STEEL TO CONCRETE PIPE OCCURS PRIOR TO UNDERGROUND ROUTING.
3. CROSSOVER PIPING BETWEEN THE CONDENSER SHELLS IS FURNISHED WITH THE CONDENSER.
4. STRAINER IS FURNISHED AS PART OF THE CONDENSER TUBE CLEANING SYSTEM.

C	E	NSC
B	E	NSC
A	E	NSC
DESIGN AREA	SSC QUALITY GROUP	SSC SEISMIC CLASS

PAB02T2