

Figure 10.4.2-1—Main Condenser Evacuation System

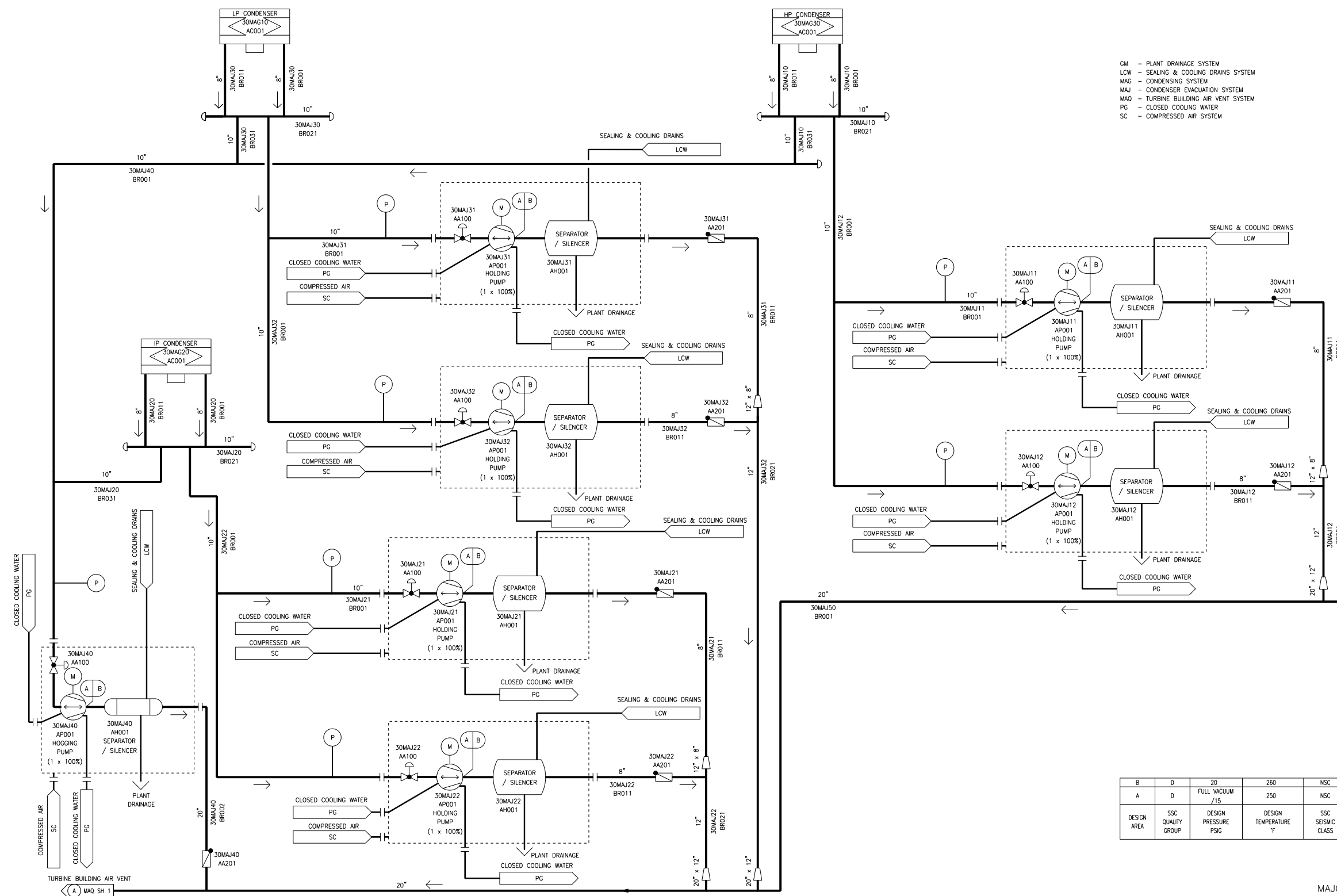
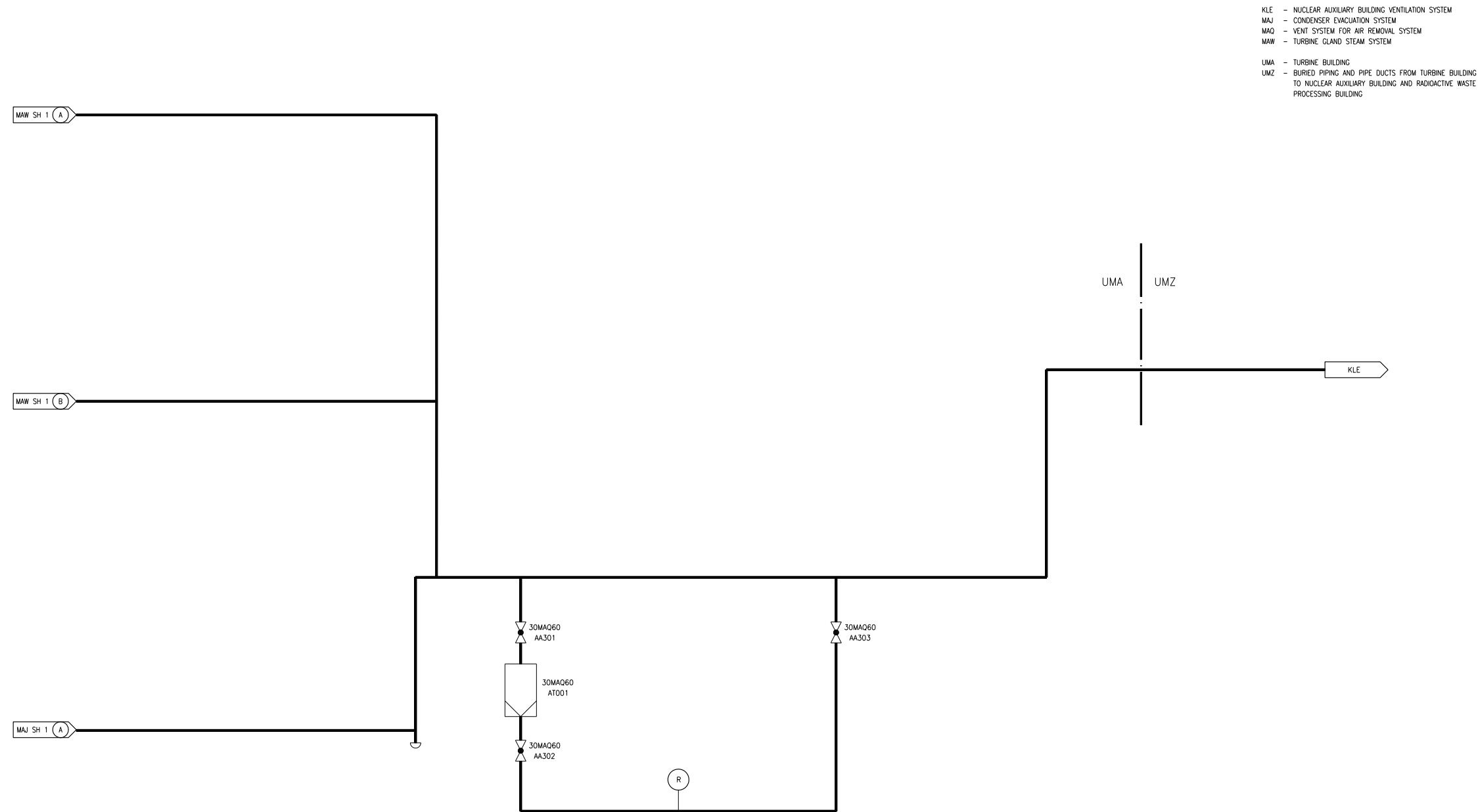


Figure 10.4.2-2—Vent System for Air Removal



KLE - NUCLEAR AUXILIARY BUILDING VENTILATION SYSTEM  
 MAJ - CONDENSER EVACUATION SYSTEM  
 MAQ - VENT SYSTEM FOR AIR REMOVAL SYSTEM  
 MAW - TURBINE GLAND STEAM SYSTEM  
  
 UMA - TURBINE BUILDING  
 UMZ - BURIED PIPING AND PIPE DUCTS FROM TURBINE BUILDING TO NUCLEAR AUXILIARY BUILDING AND RADIOACTIVE WASTE PROCESSING BUILDING

A	D	B	175	NSC
DESIGN AREA	SSC QUALITY GROUP	DESIGN PRESSURE PSIG	DESIGN TEMPERATURE °F	SSC SEISMIC CLASS

MAQ01T2