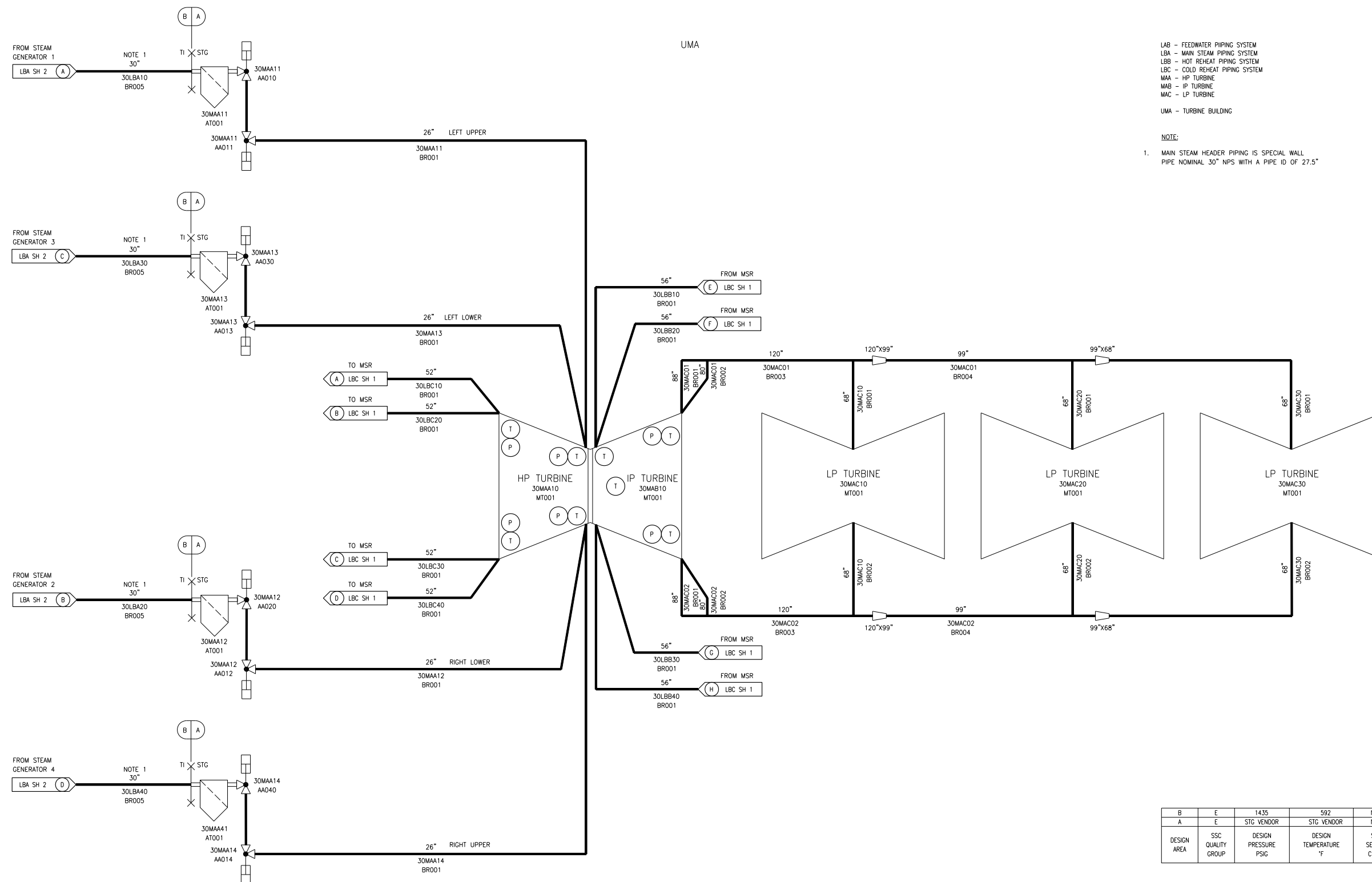
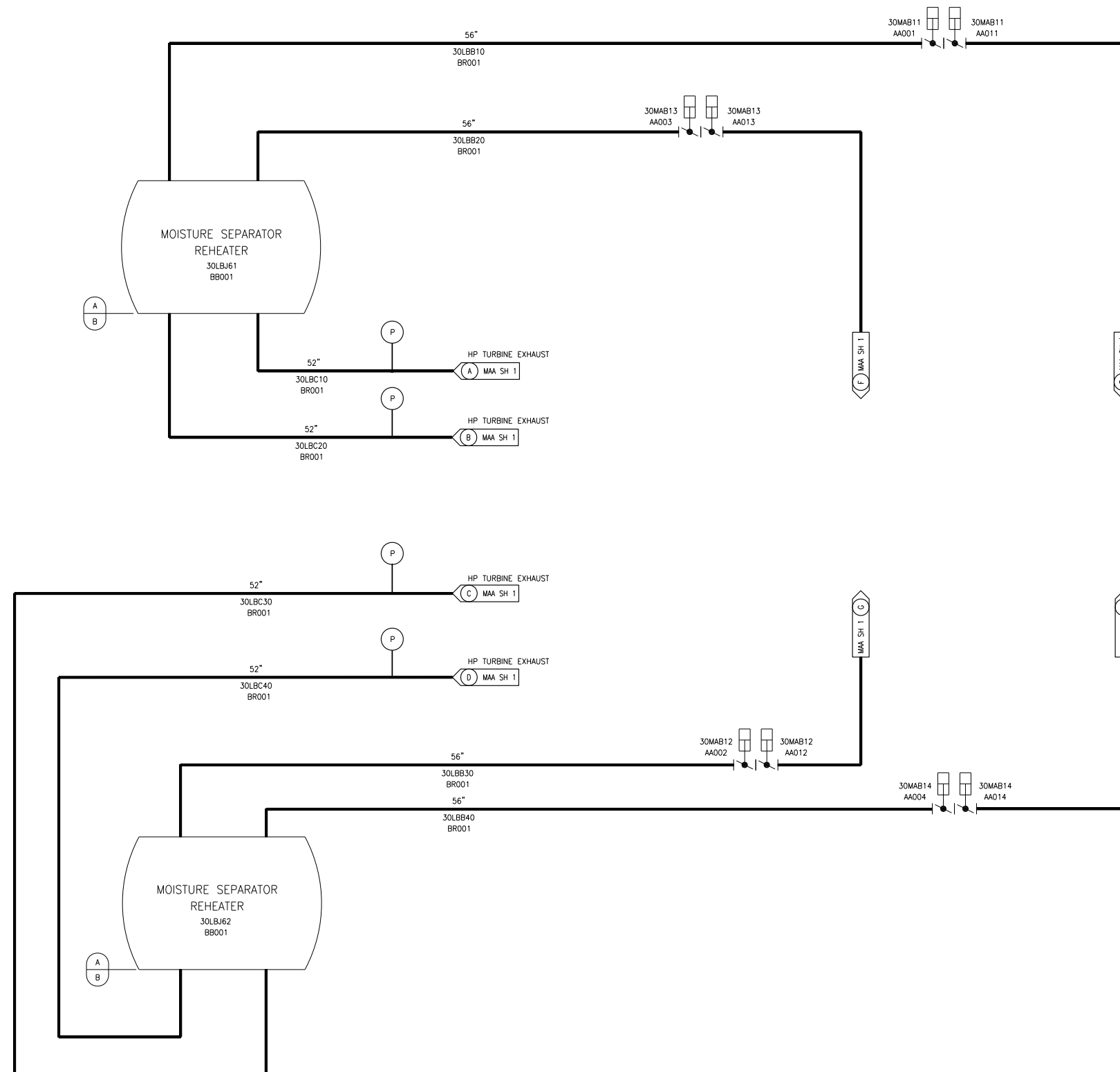


Figure 10.2-1—Turbine Generator System  
Sheet 1 of 2



MAA01T2

Figure 10.2-1—Turbine Generator System  
Sheet 2 of 2



LBB - HOT REHEAT PIPING SYSTEM  
LBC - COLD REHEAT PIPING SYSTEM  
LBJ - MOISTURE SEPARATOR REHEATER  
  
UMA - TURBINE BUILDING

B	E	STG VENDOR	STG VENDOR	NSC
A	E	STG VENDOR	STG VENDOR	NSC
DESIGN AREA	SSC QUALITY GROUP	DESIGN PRESSURE PSIG	DESIGN TEMPERATURE °F	SSC SEISMIC CLASS

LBC01T2