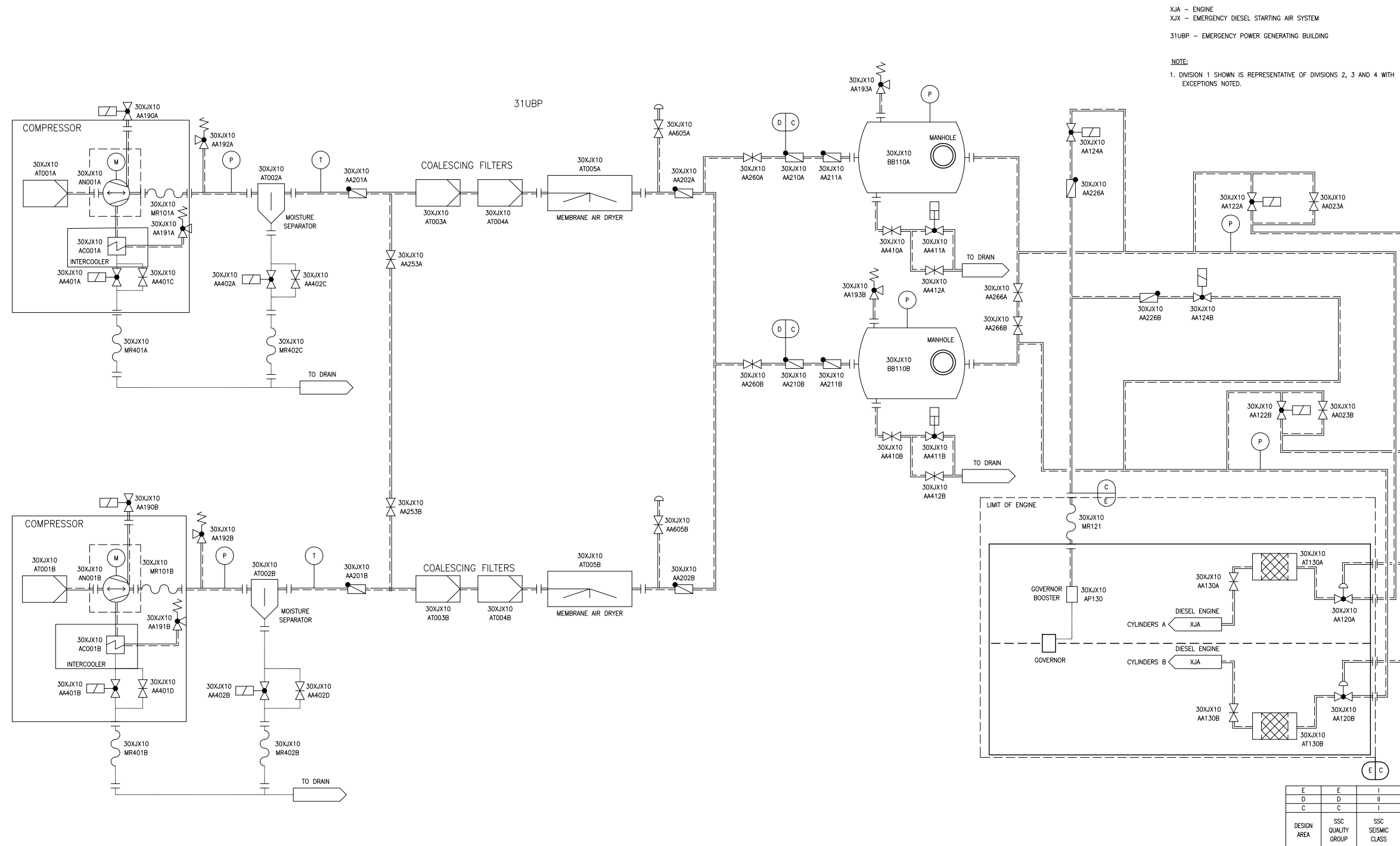


Figure 9.5.6-1—Emergency Diesel Generator Starting Air System



REV 001
XJX01T2