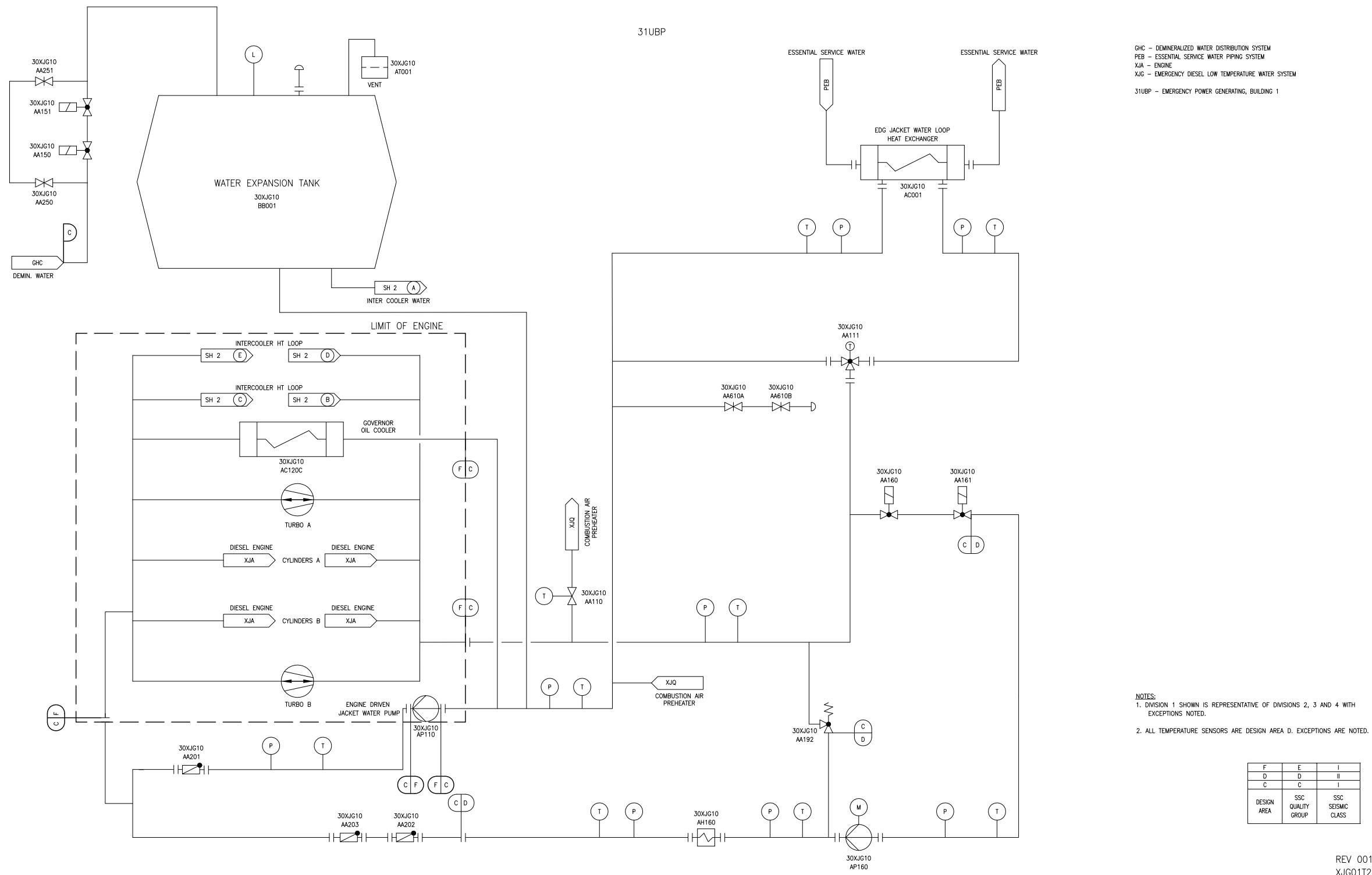


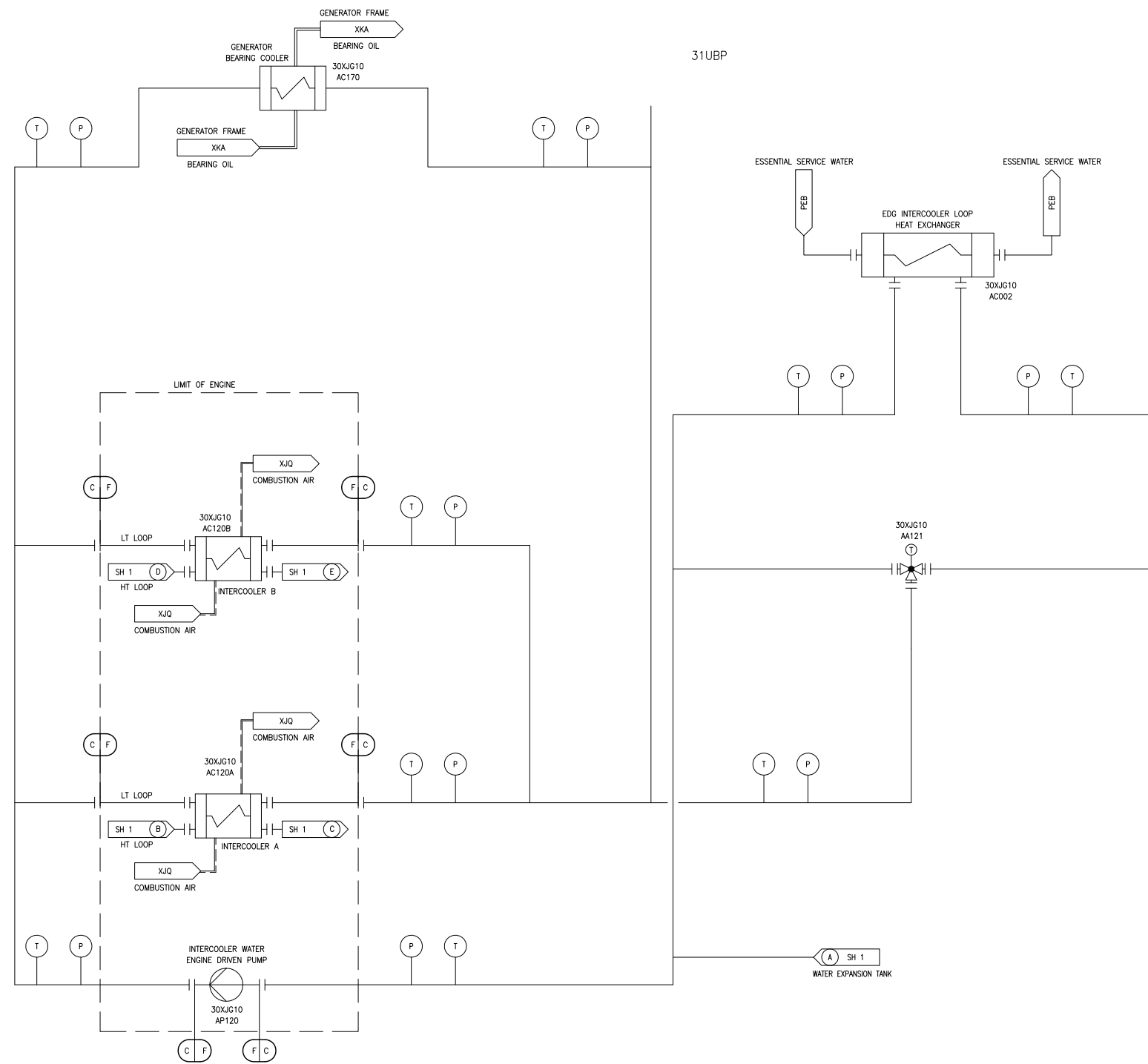
Figure 9.5.5-1—Emergency Diesel Generator Cooling Water System
Sheet 1 of 2



F	E	I
D	D	II
C	C	I
DESIGN AREA	SSC QUALITY GROUP	SSC SEISMIC CLASS

REV 001
XJG01T2

Figure 9.5.5-1—Emergency Diesel Generator Cooling Water System
Sheet 2 of 2



PEB – ESSENTIAL SERVICE WATER PIPING SYSTEM
 XJA – ENGINE
 XJG – EMERGENCY DIESEL LOW TEMPERATURE WATER SYSTEM
 XJQ – EMERGENCY DIESEL EXHAUST GAS AND AIR INTAKE SYSTEM
 XKA – GENERATOR FRAME
 31UBP – EMERGENCY POWER GENERATING BUILDING

- NOTES:
- DIVISION 1 SHOWN IS REPRESENTATIVE OF DIVISIONS 2, 3 AND 4 WITH EXCEPTIONS NOTED.
 - ONLY TEMPERATURE SENSORS ARE DESIGN AREA D. EXCEPTIONS ARE NOTED.

F	E	I
C	C	I
DESIGN AREA	SSC QUALITY GROUP	SSC SEISMIC CLASS

REV 001
XJG02T2