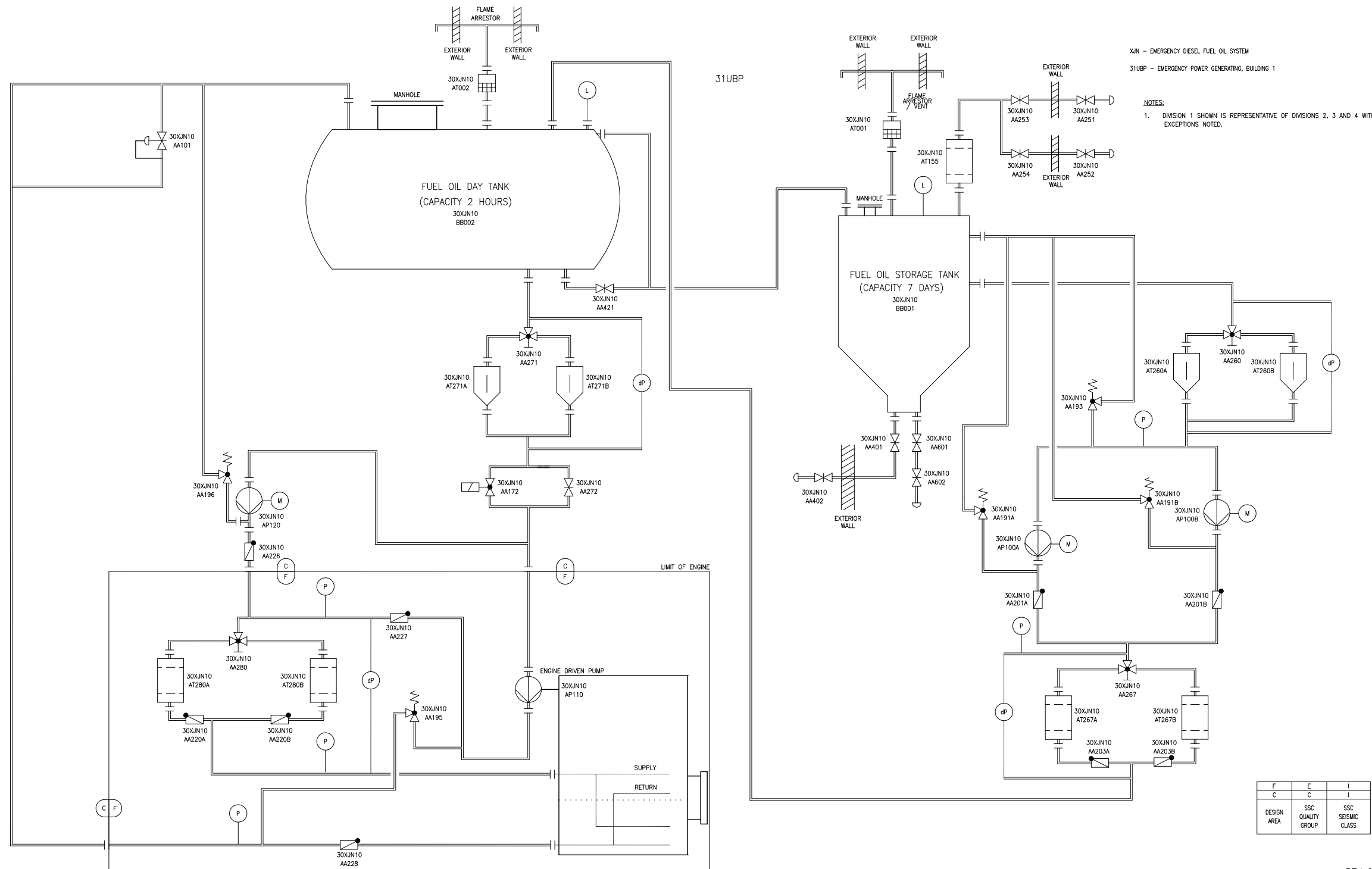


Figure 9.5.4-1—Emergency Diesel Generator Fuel Oil Storage and Transfer System



REV 001  
XJN01T2