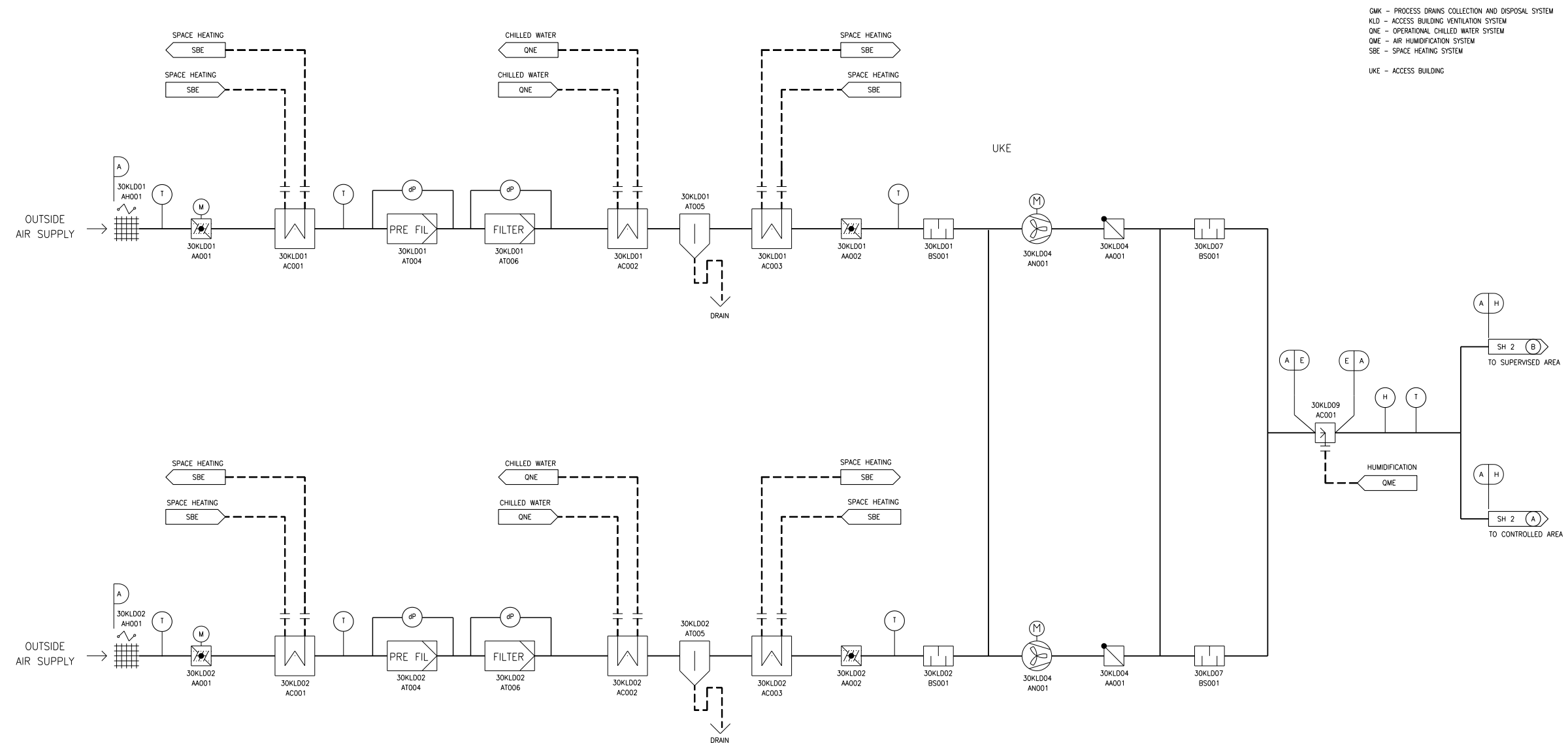


Figure 9.4.14-1—Access Building Ventilation System – Supply Air Subsystem

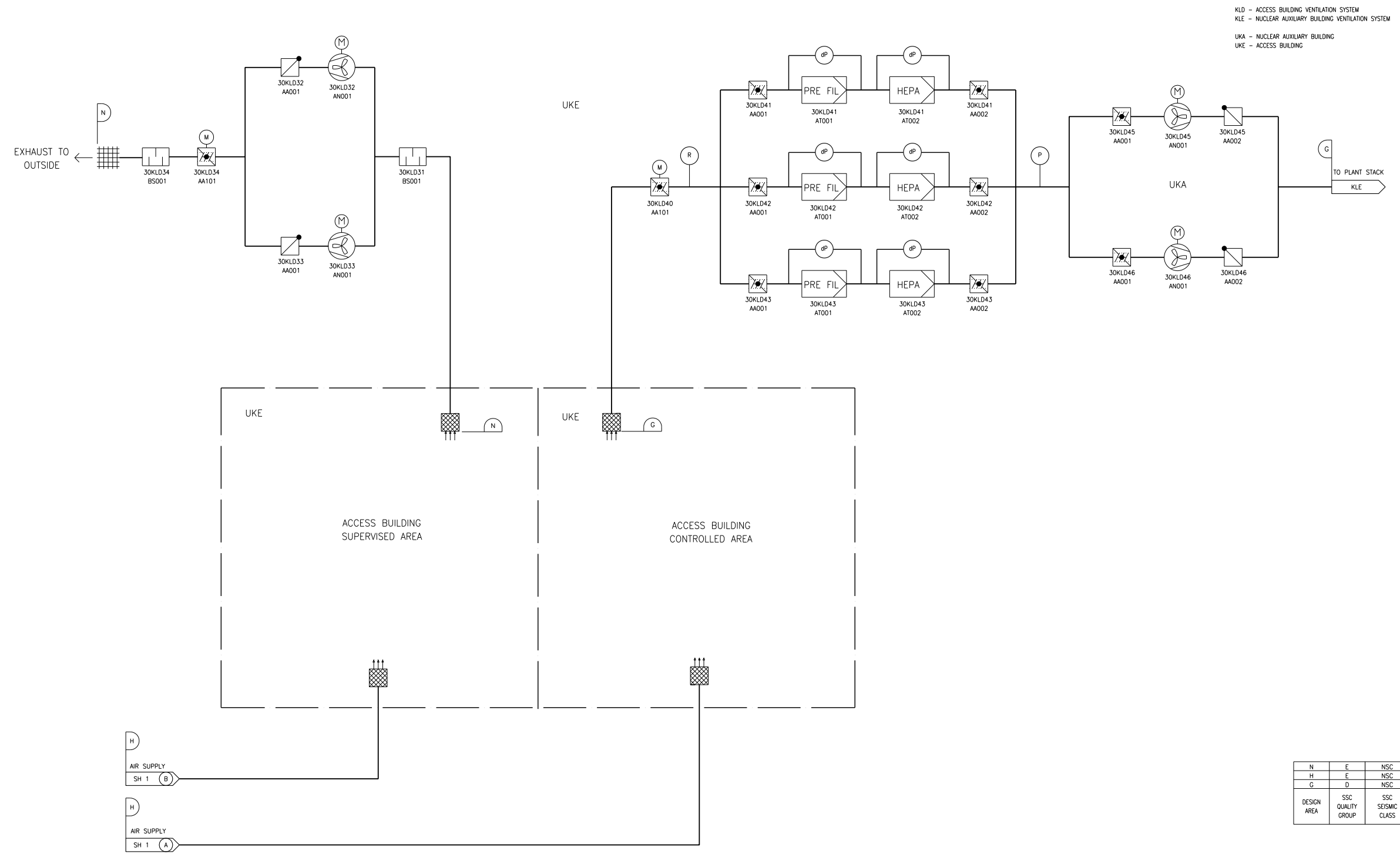


GMK - PROCESS DRAINS COLLECTION AND DISPOSAL SYSTEM
 KLD - ACCESS BUILDING VENTILATION SYSTEM
 ONE - OPERATIONAL CHILLED WATER SYSTEM
 QME - AIR HUMIDIFICATION SYSTEM
 SBE - SPACE HEATING SYSTEM
 UKE - ACCESS BUILDING

E	E	NSC
A	E	NSC
DESIGN AREA	SSC QUALITY GROUP	SSC SEISMIC CLASS

REV 001
 KLD01T2

Figure 9.4.14-2—Access Building Ventilation System – Supply and Exhaust Air Subsystem



N	E	NSC
H	E	NSC
G	D	NSC
DESIGN AREA	SSC QUALITY GROUP	SSC SEISMIC CLASS

KLD02T2