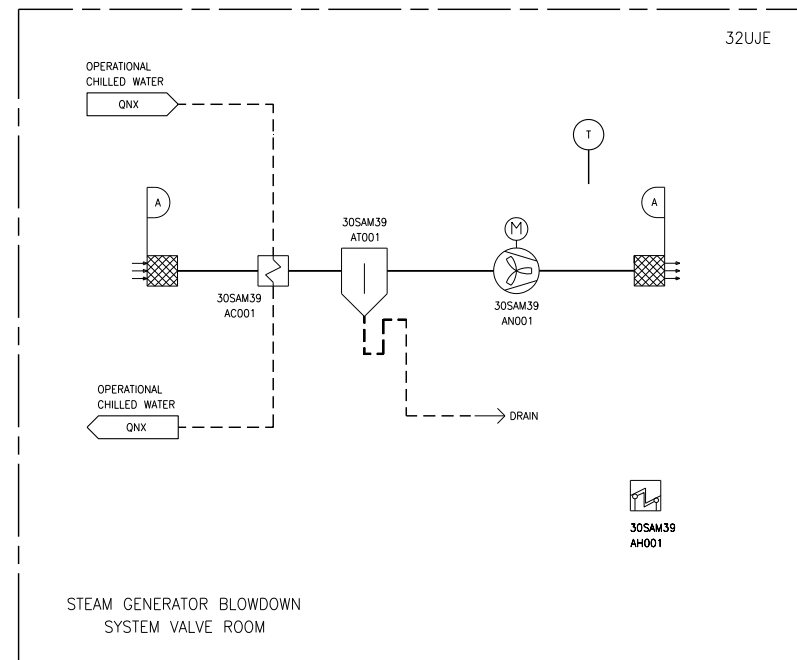
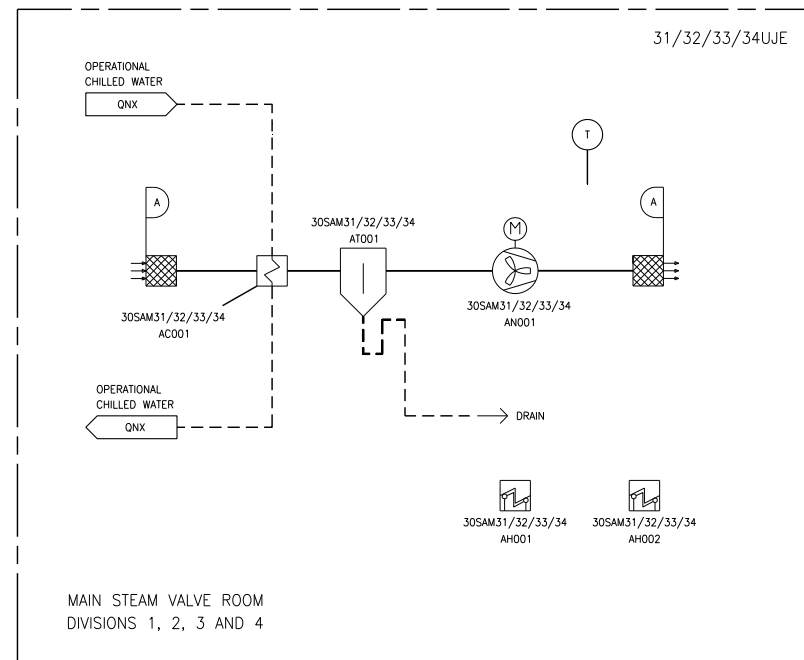
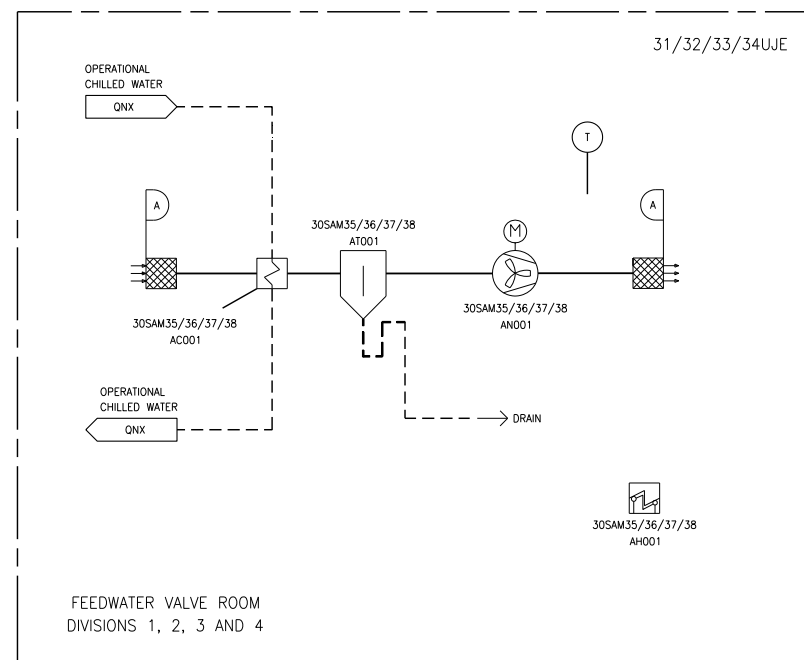


Figure 9.4.12-1—Main Steam and Feedwater Valve Room Ventilation System



KTE - NUCLEAR ISLAND DRAIN AND VENT SYSTEMS - FLOOR DRAINS 3
 QNX - OPERATIONAL CHILLED WATER SYSTEM
 SAM3 - MAIN STEAM AND MAIN FEEDWATER VALVE ROOM VENTILATION SYSTEM

31UJE - MAIN STEAM VALVE ROOM, DIVISION 1
 32UJE - MAIN STEAM VALVE ROOM, DIVISION 2
 33UJE - MAIN STEAM VALVE ROOM, DIVISION 3
 34UJE - MAIN STEAM VALVE ROOM, DIVISION 4



A	E	NSC
DESIGN AREA	SSC QUALITY GROUP	SSC SEISMIC CLASS

REV 001
 SAM301T2