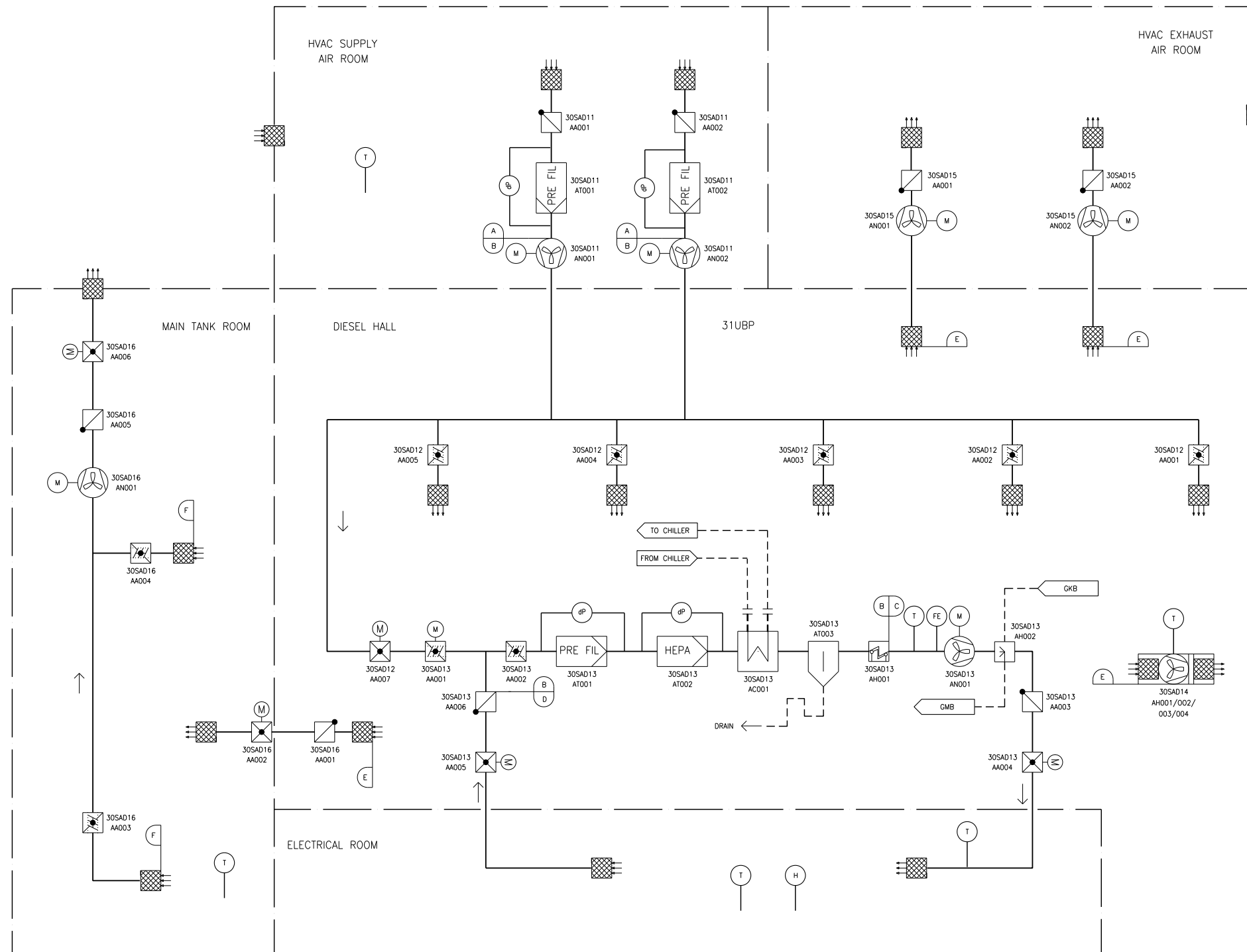


Figure 9.4.9-1—Emergency Power Generating Building Ventilation System



GKB - POTABLE AND SANITARY WATER DISTRIBUTION SYSTEM  
 GMB - PROCESS DRAINS COLLECTION AND DISPOSAL SYSTEM FOR EMERGENCY POWER GENERATING BUILDINGS  
 SAD - DIESEL BUILDING VENTILATION SYSTEM  
 31UBP - EMERGENCY POWER GENERATING, BUILDING 1

NOTE:  
 DIVISION 1 SHOWN, REPRESENTATIVE OF DIVISIONS 2, 3 AND 4.

F	C	I
E	C	I
D	C	I
C	C	I
B	C	I
A	C	I
DESIGN AREA	SSC QUALITY GROUP	SSC SEISMIC CLASS

SAD01T2