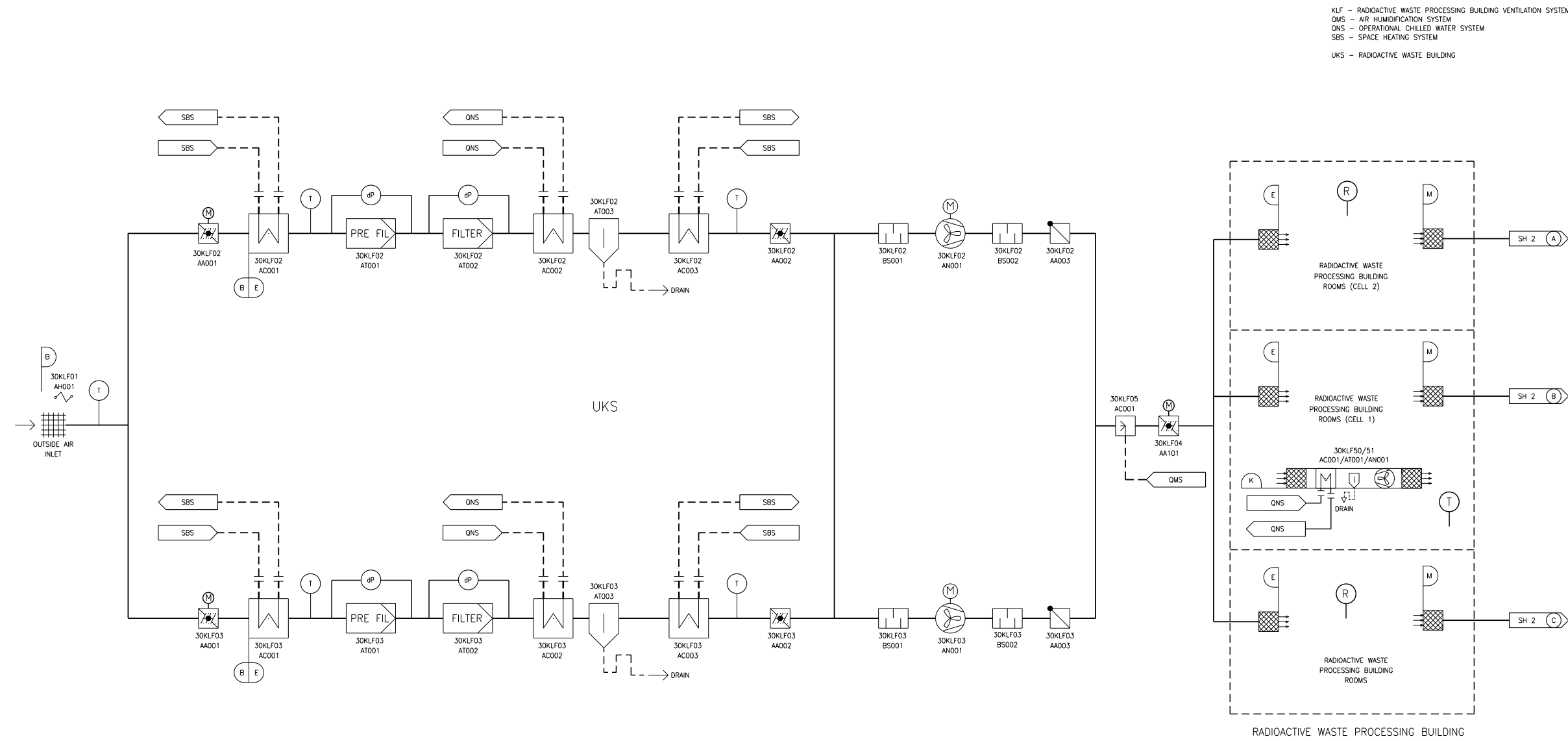


Figure 9.4.8-1—Radioactive Waste Building Ventilation System Air Supply

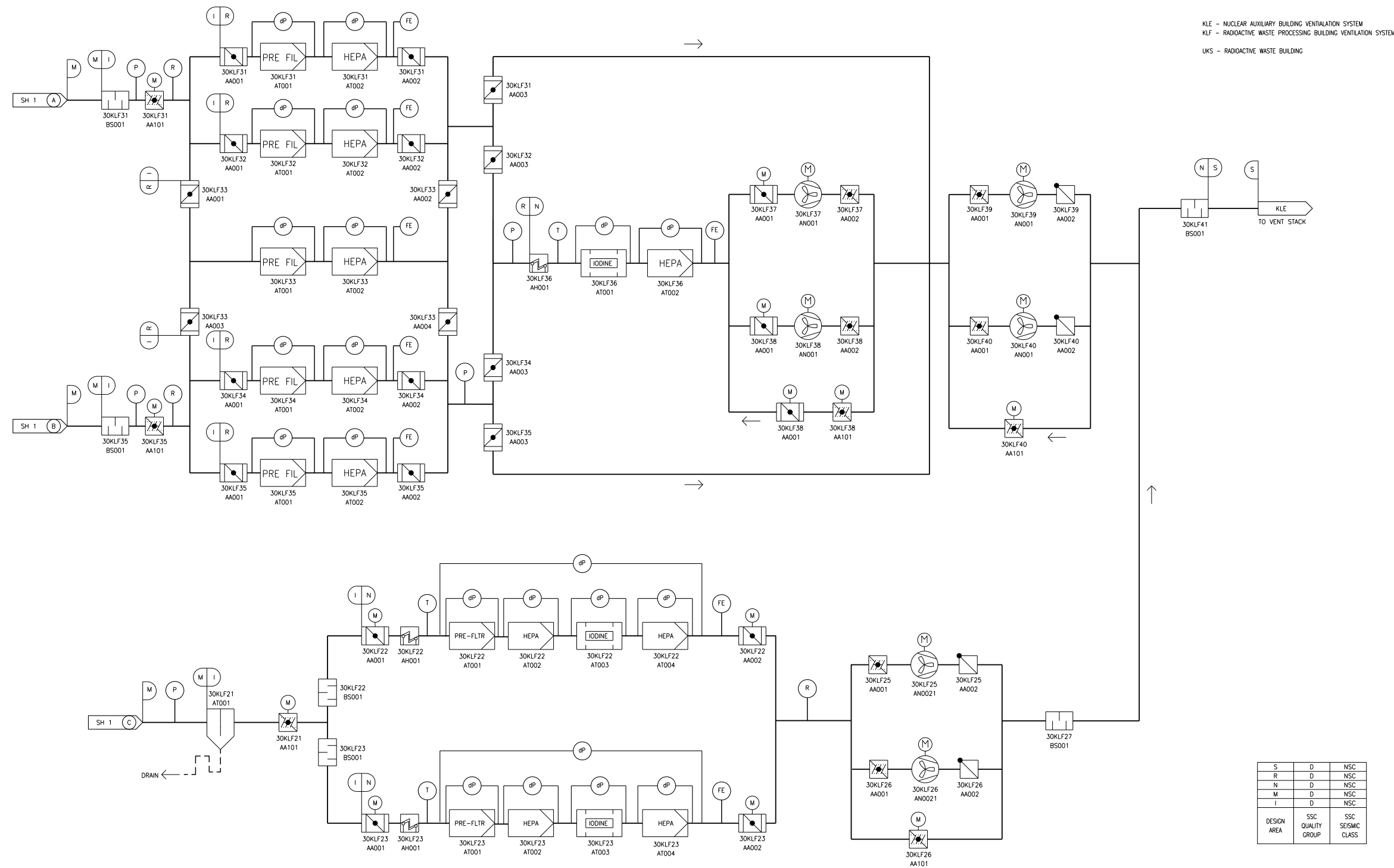


KLF - RADIOACTIVE WASTE PROCESSING BUILDING VENTILATION SYSTEM  
 QMS - AIR HUMIDIFICATION SYSTEM  
 QNS - OPERATIONAL CHILLED WATER SYSTEM  
 SBS - SPACE HEATING SYSTEM  
 UKS - RADIOACTIVE WASTE BUILDING

K	D	NSC
E	D	NSC
B	D	NSC
DESIGN AREA	SSC QUALITY GROUP	SSC SEISMIC CLASS

REV 001  
 KLF01T2

Figure 9.4.8-2—Radioactive Waste Building Ventilation System Exhaust Air Station



REV 001  
KLF02T2