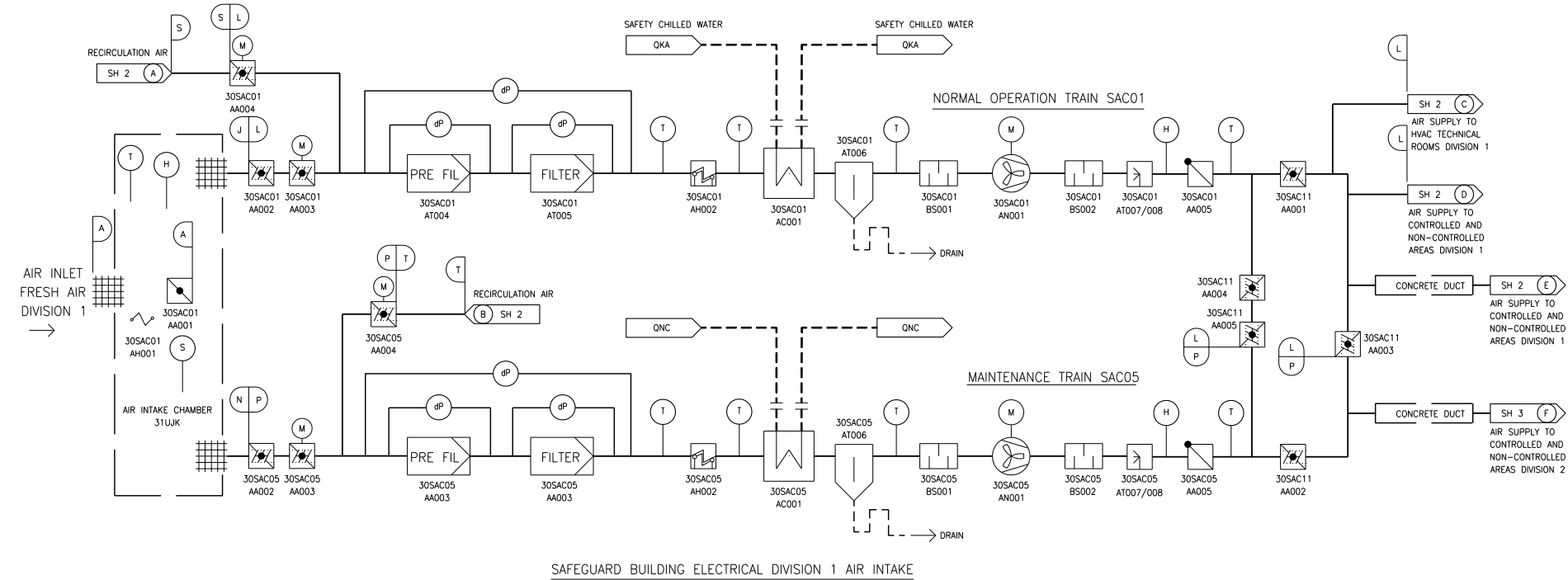
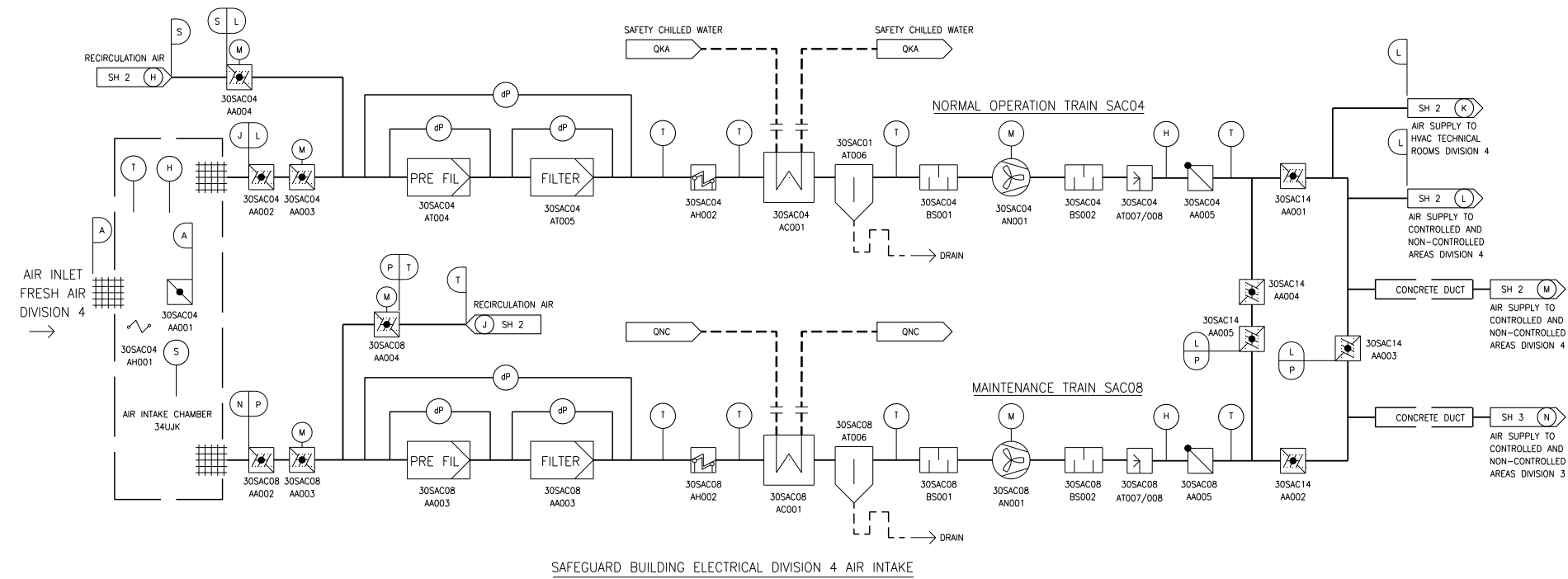


Figure 9.4.6-1—Safeguard Building Electrical Divisions 1 and 4 Air Intake



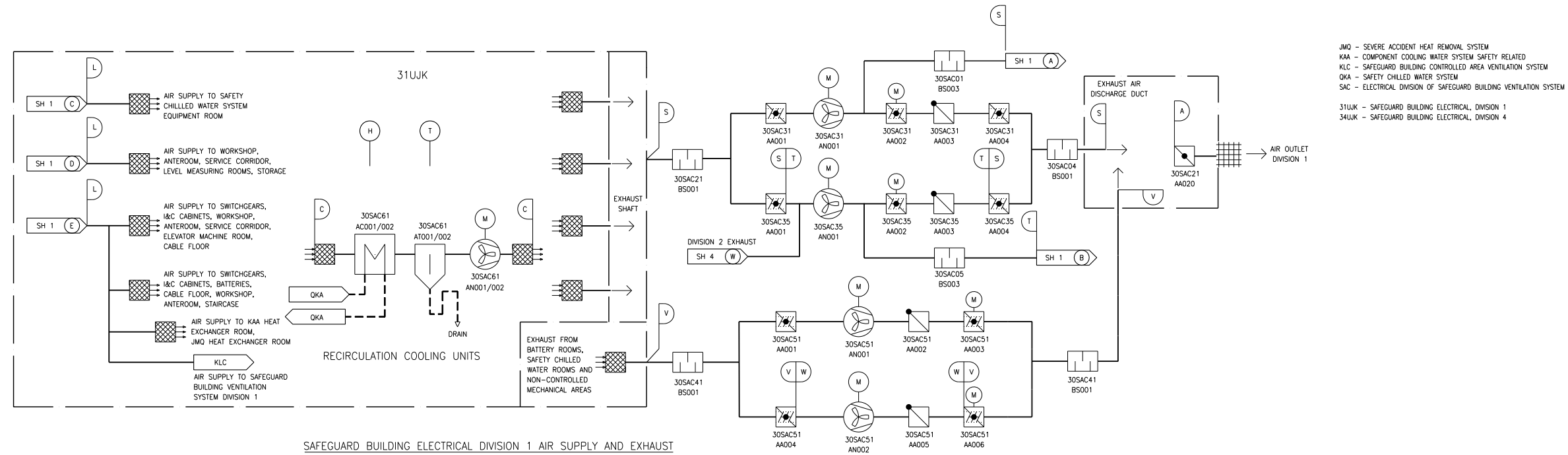
QKA - SAFETY CHILLED WATER SYSTEM  
 QNC - OPERATIONAL CHILLED WATER SYSTEM  
 SAC - ELECTRICAL DIVISION OF SAFEGUARD BUILDING VENTILATION SYSTEM  
 311UK - SAFEGUARD BUILDING ELECTRICAL, DIVISION 1  
 341UK - SAFEGUARD BUILDING ELECTRICAL, DIVISION 4



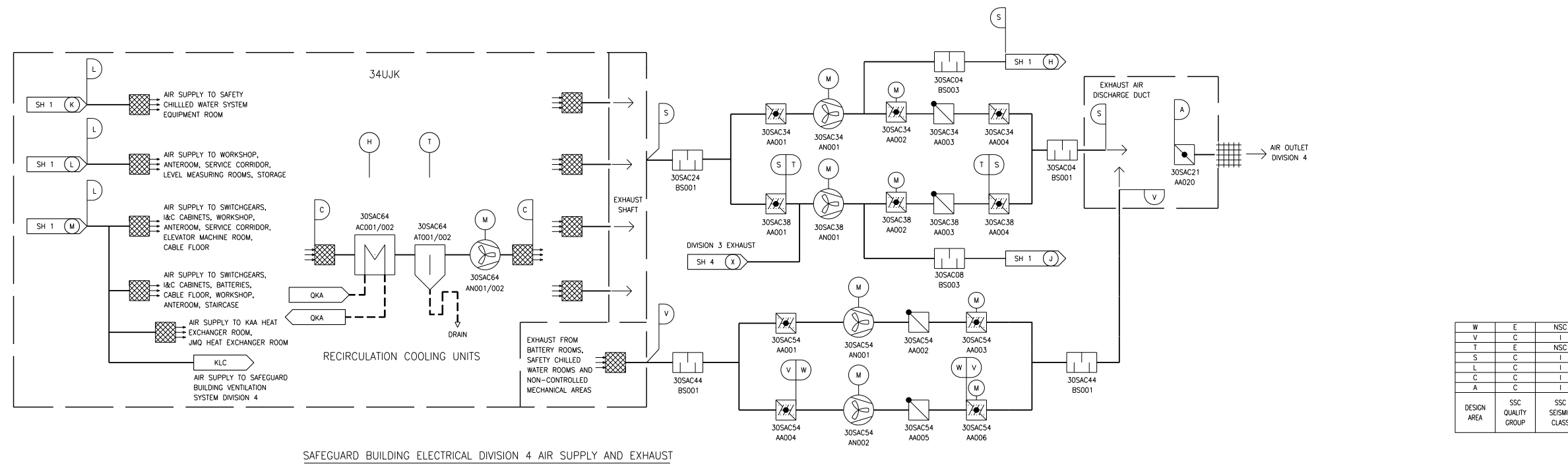
T	E	NSC
S	C	I
P	E	NSC
N	E	NSC
L	C	I
J	C	I
A	C	I
DESIGN AREA	SSC QUALITY GROUP	SSC SEISMIC CLASS

REV 001  
 SAC01T2

Figure 9.4.6-2—Safeguard Building Electrical Divisions 1 and 4 Air Supply and Exhaust



SAFEGUARD BUILDING ELECTRICAL DIVISION 1 AIR SUPPLY AND EXHAUST

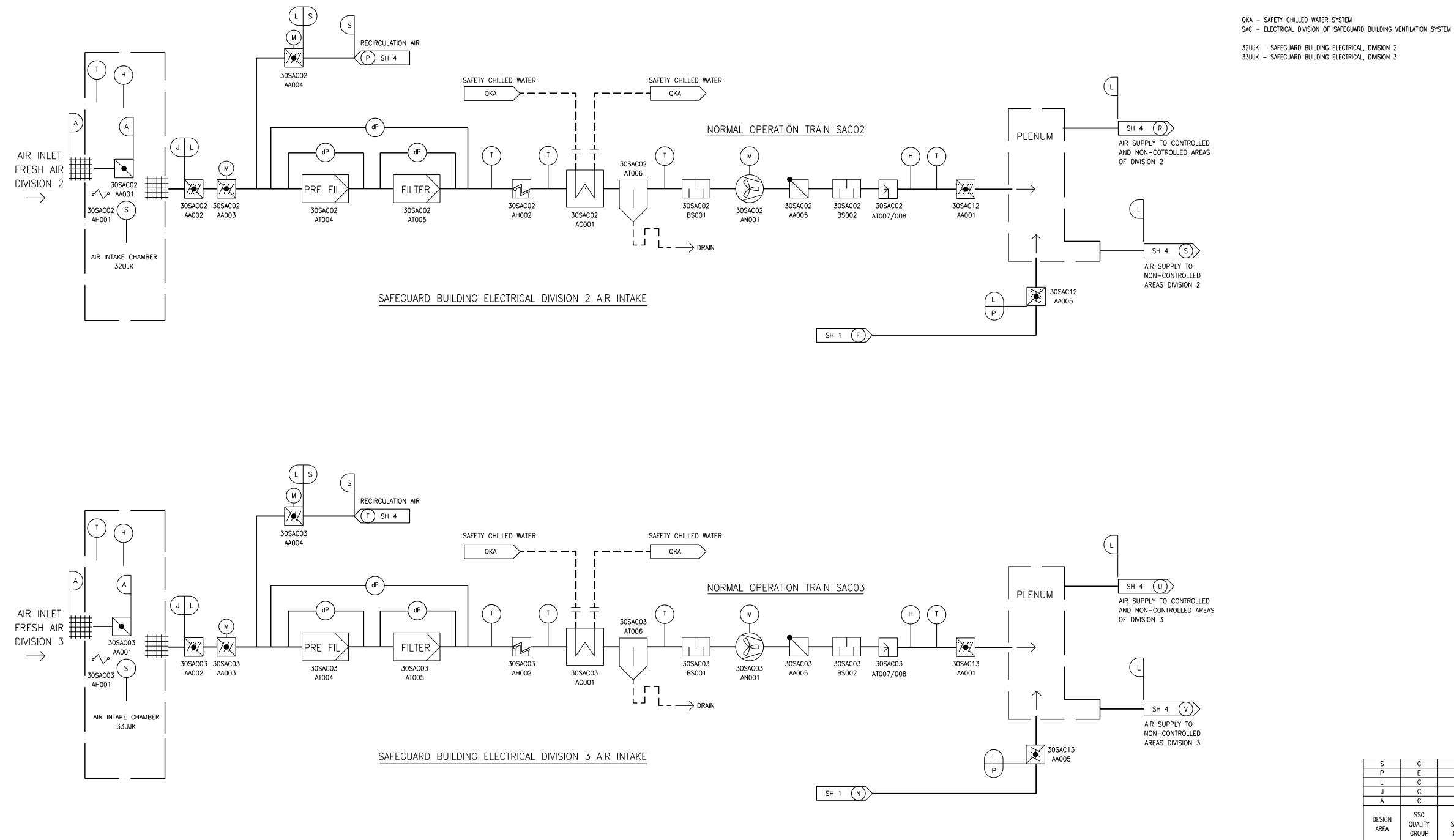


SAFEGUARD BUILDING ELECTRICAL DIVISION 4 AIR SUPPLY AND EXHAUST

W	E	NSC
V	C	I
T	E	NSC
S	C	I
L	C	I
C	C	I
A	C	I
DESIGN AREA	SSC QUALITY GROUP	SSC SEISMIC CLASS

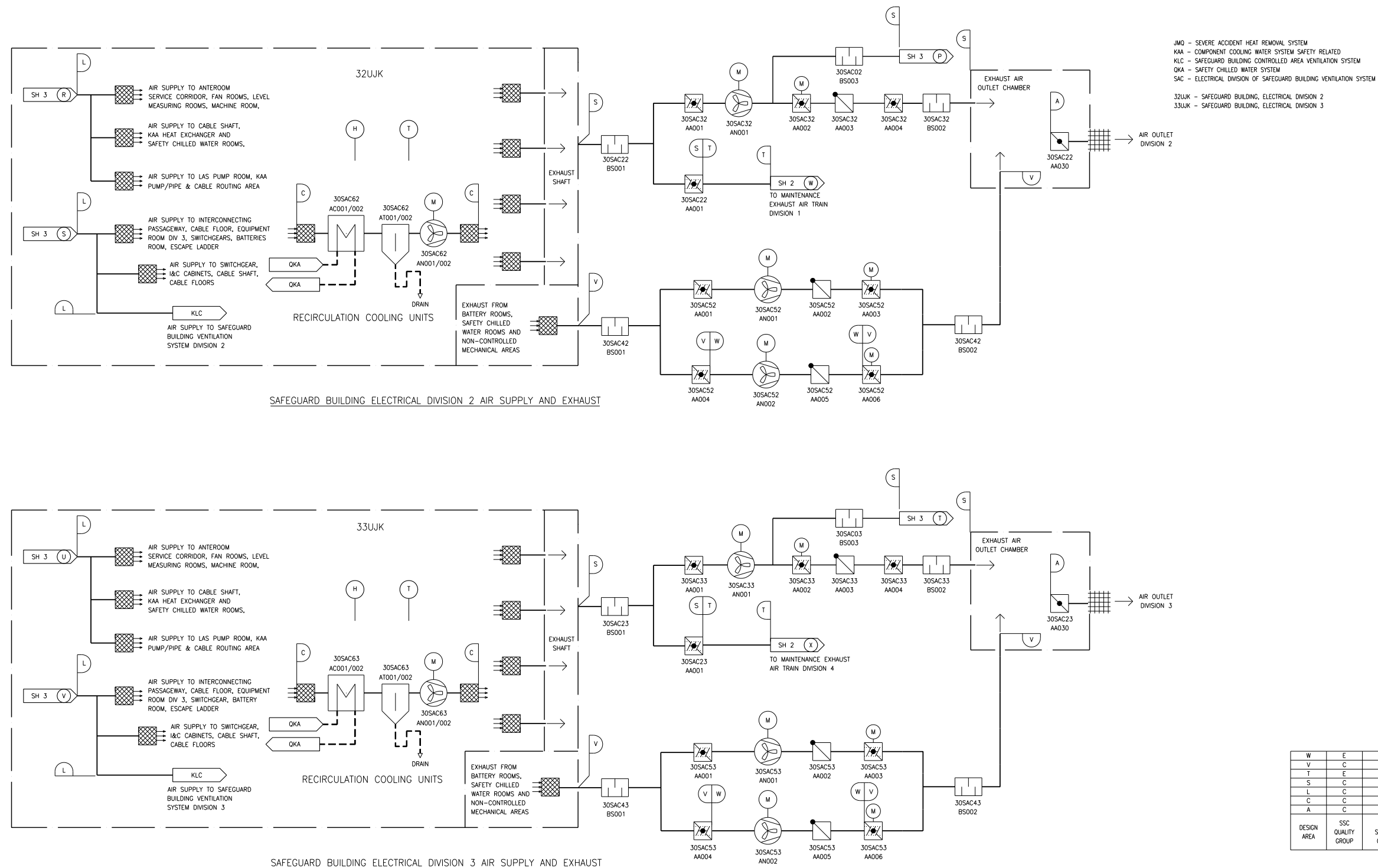
SAC02T2

Figure 9.4.6-3—Safeguard Building Electrical Divisions 2 and 3 Air Intake



REV 001  
 SAC03T2

Figure 9.4.6-4—Safeguard Building Electrical Divisions 2 and 3 Air Supply and Exhaust



SAC04T2