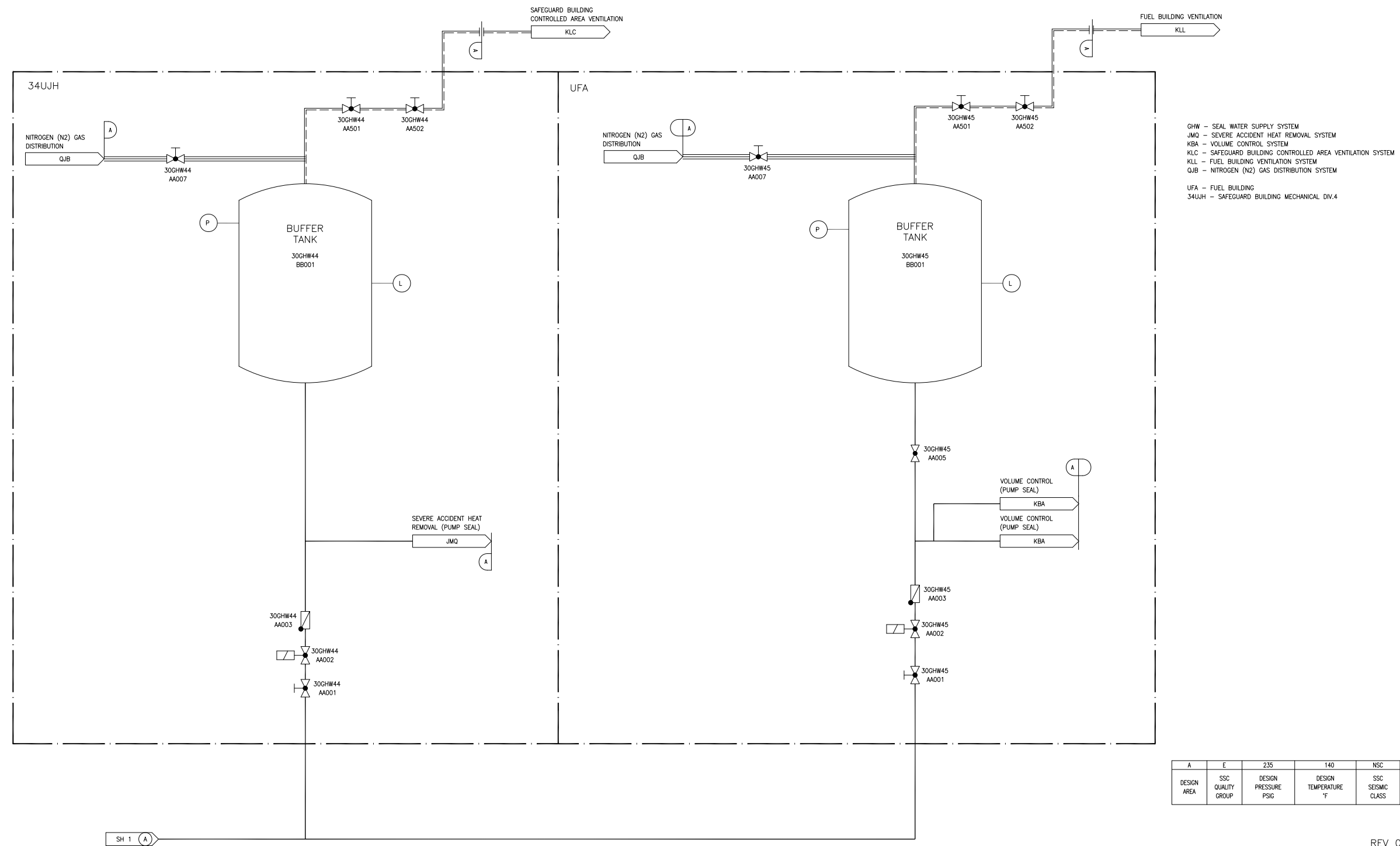
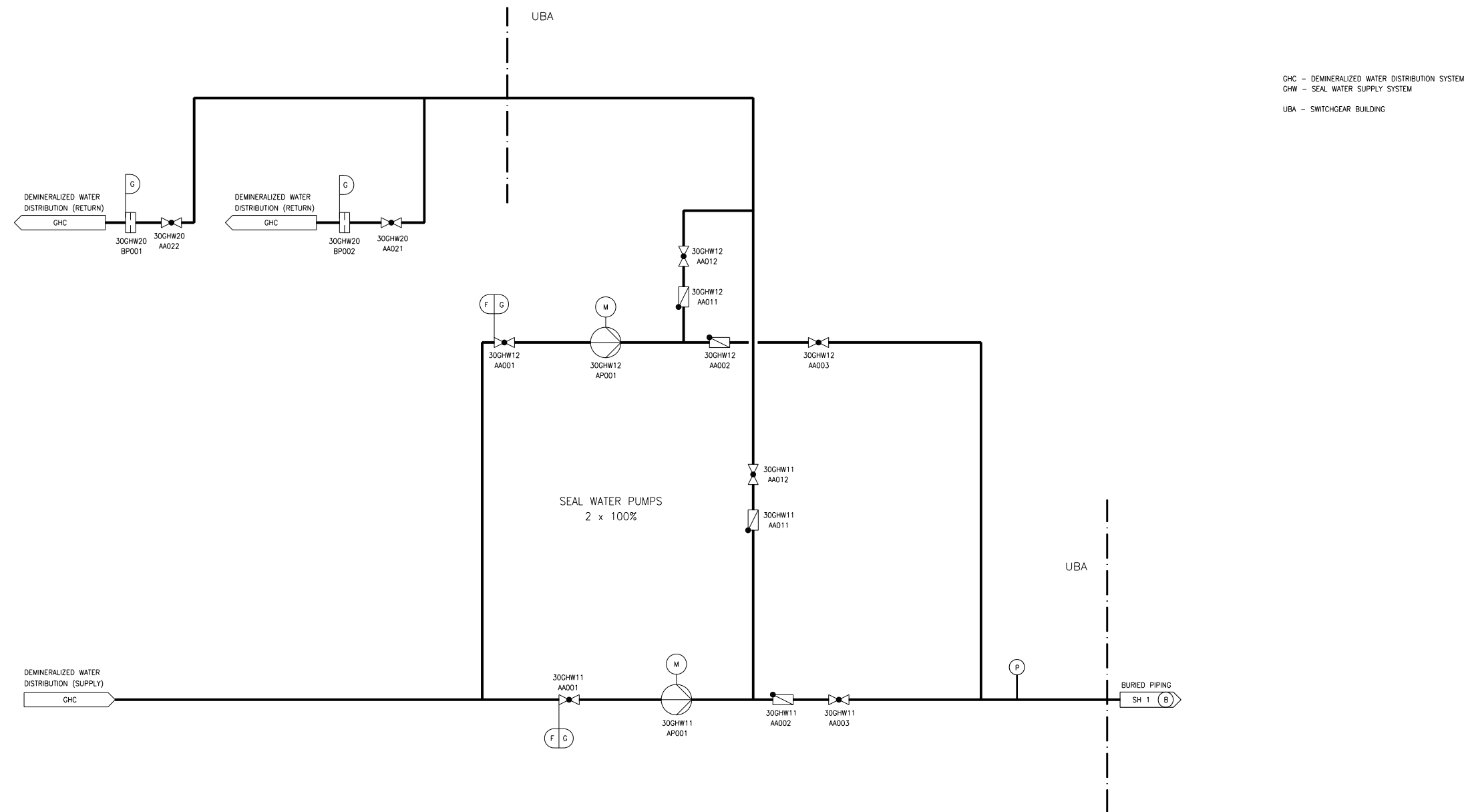


Figure 9.2.7-1—Seal Water Supply System
Sheet 2 of 3



REV 001
GHW02T2

Figure 9.2.7-1—Seal Water Supply System
Sheet 3 of 3



G	E	235	140	NSC
F	E	235	140	NSC
DESIGN AREA	SSC QUALITY GROUP	DESIGN PRESSURE PSIG	DESIGN TEMPERATURE °F	SSC SEISMIC CLASS

GHWO3T2