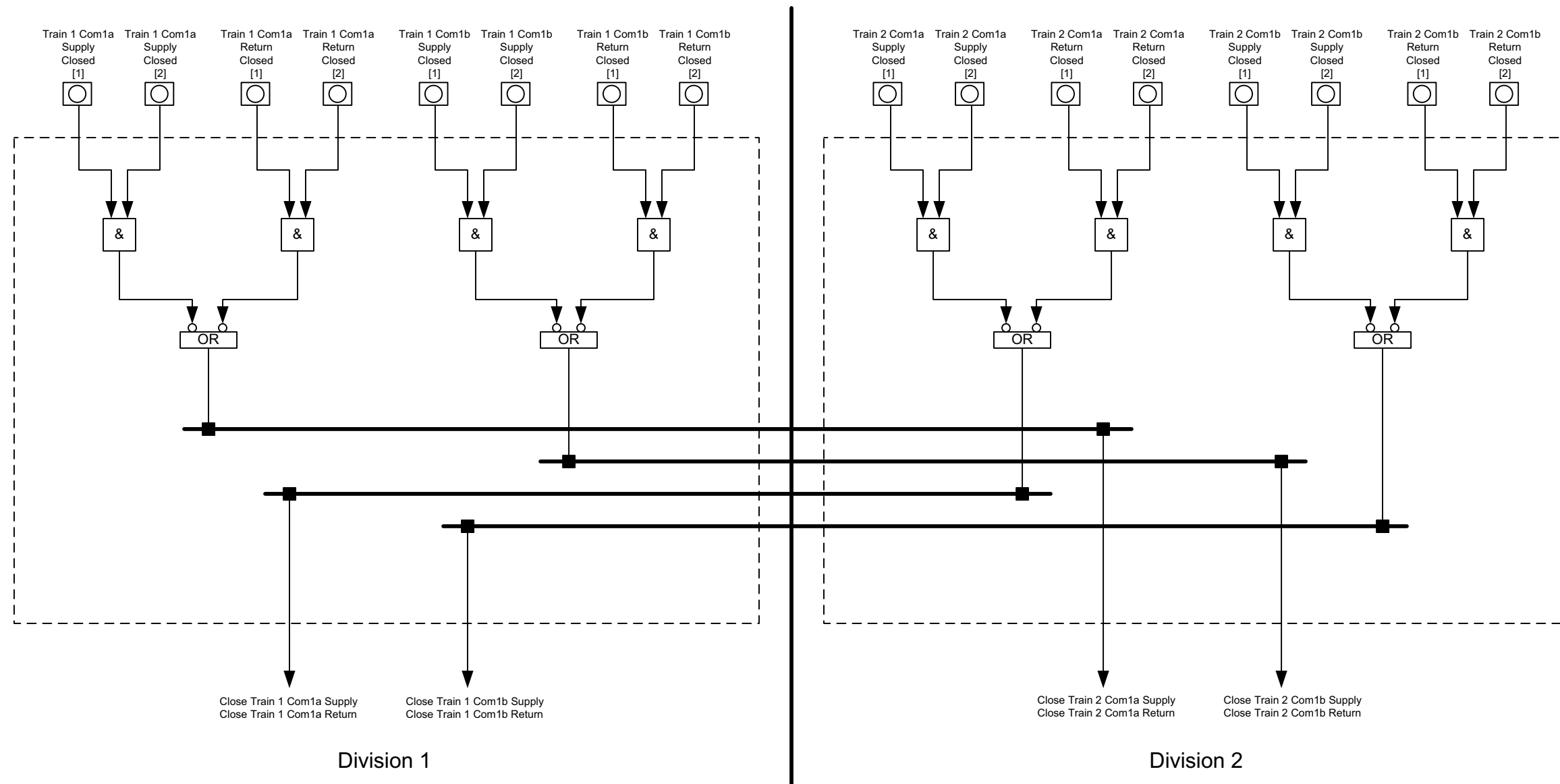


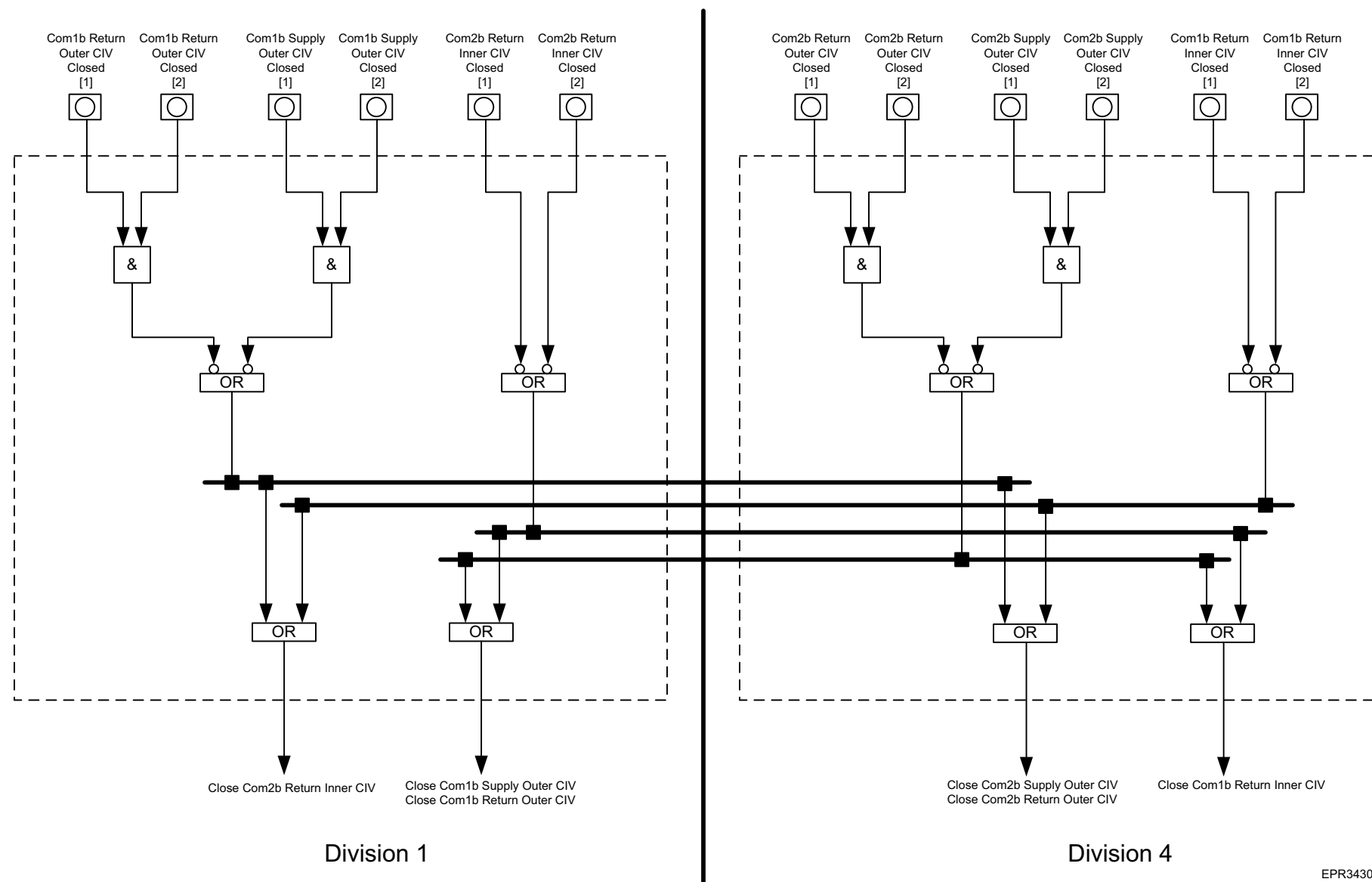
Figure 7.6-1—CCWS Switchover Valves Interlock



Logic shown for SAS Divisions 1 and 2. The same logic is implemented between Divisions 3 and 4 with respect to Common 2a and Common 2b.

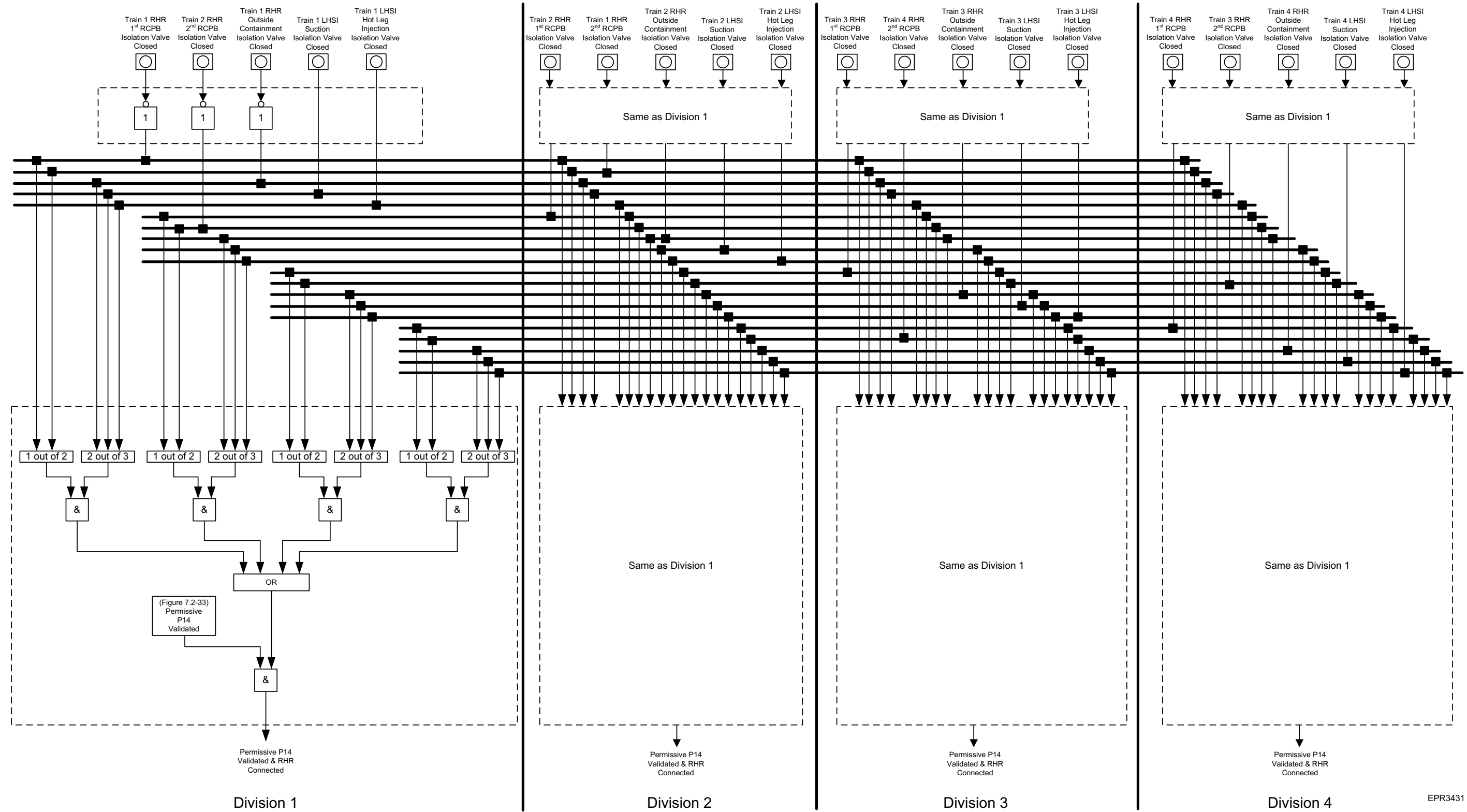
EPR3425 T2

Figure 7.6-2—CCWS Containment Isolation Valves Interlock



EPR3430 T2

Figure 7.6-3—Detection of RHR Connected



EPR3431 T2

Next File