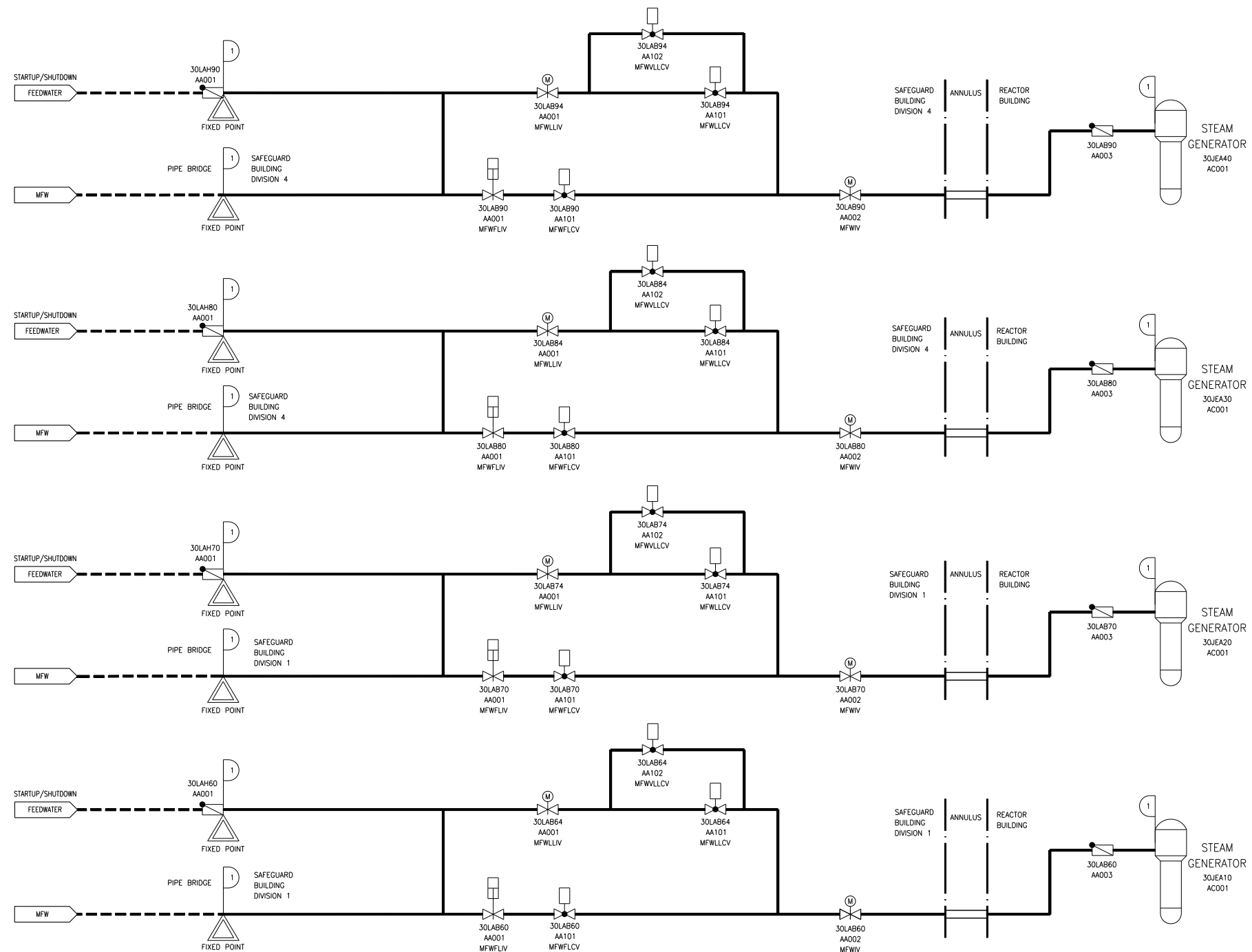


Figure 2.8.6-1—Main Feedwater System Functional Arrangement



1	III	I
DESIGN AREA	ASME	SSC SEISMIC CLASS

REV 001
LAB01T1