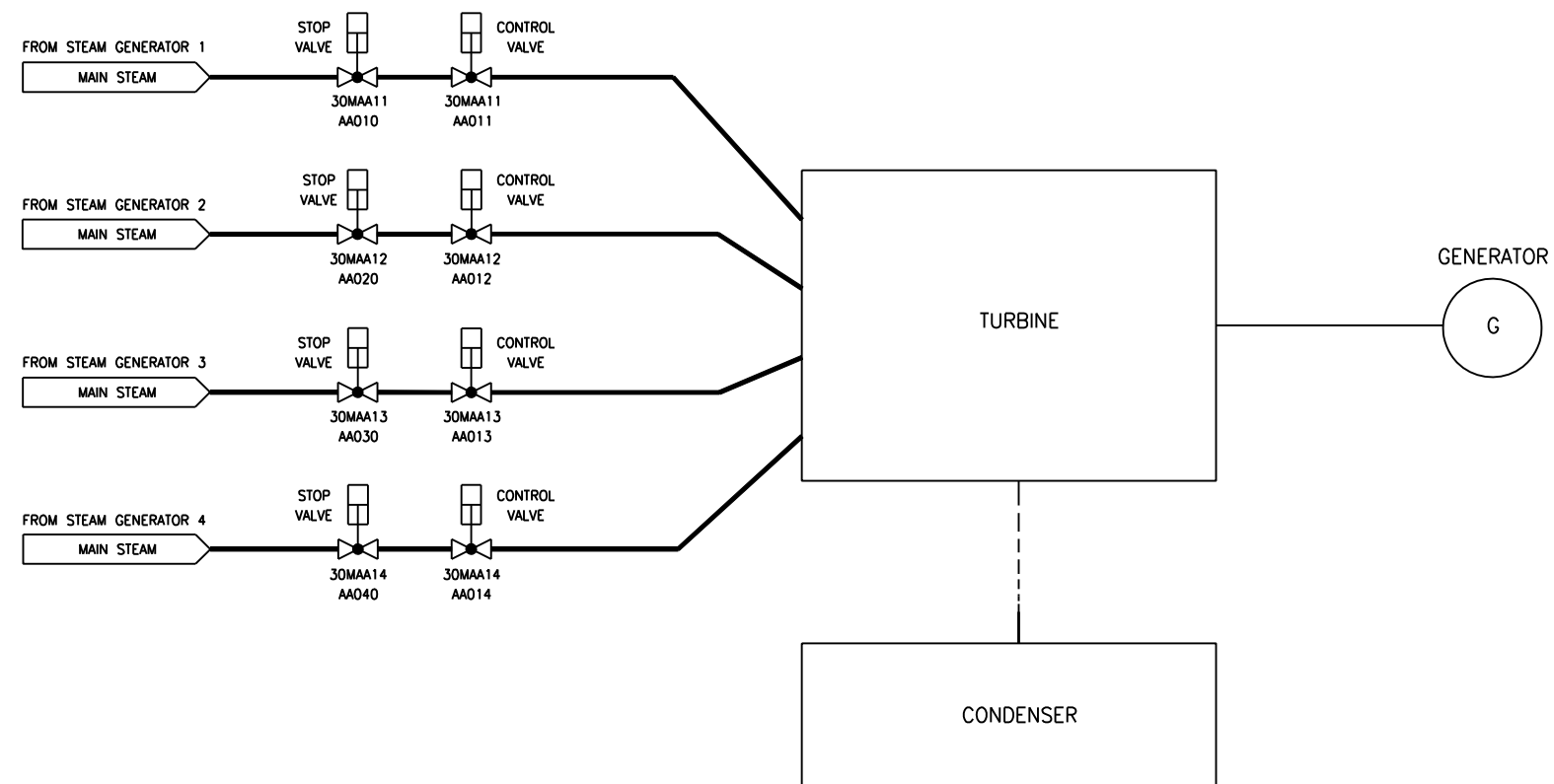


Figure 2.8.1-1—Turbine Generator System Basic Configuration



| | | |
|-------------|------|-------------------|
| 3 | N/A | N/A |
| DESIGN AREA | ASME | SSC SEISMIC CLASS |

MAA01T1