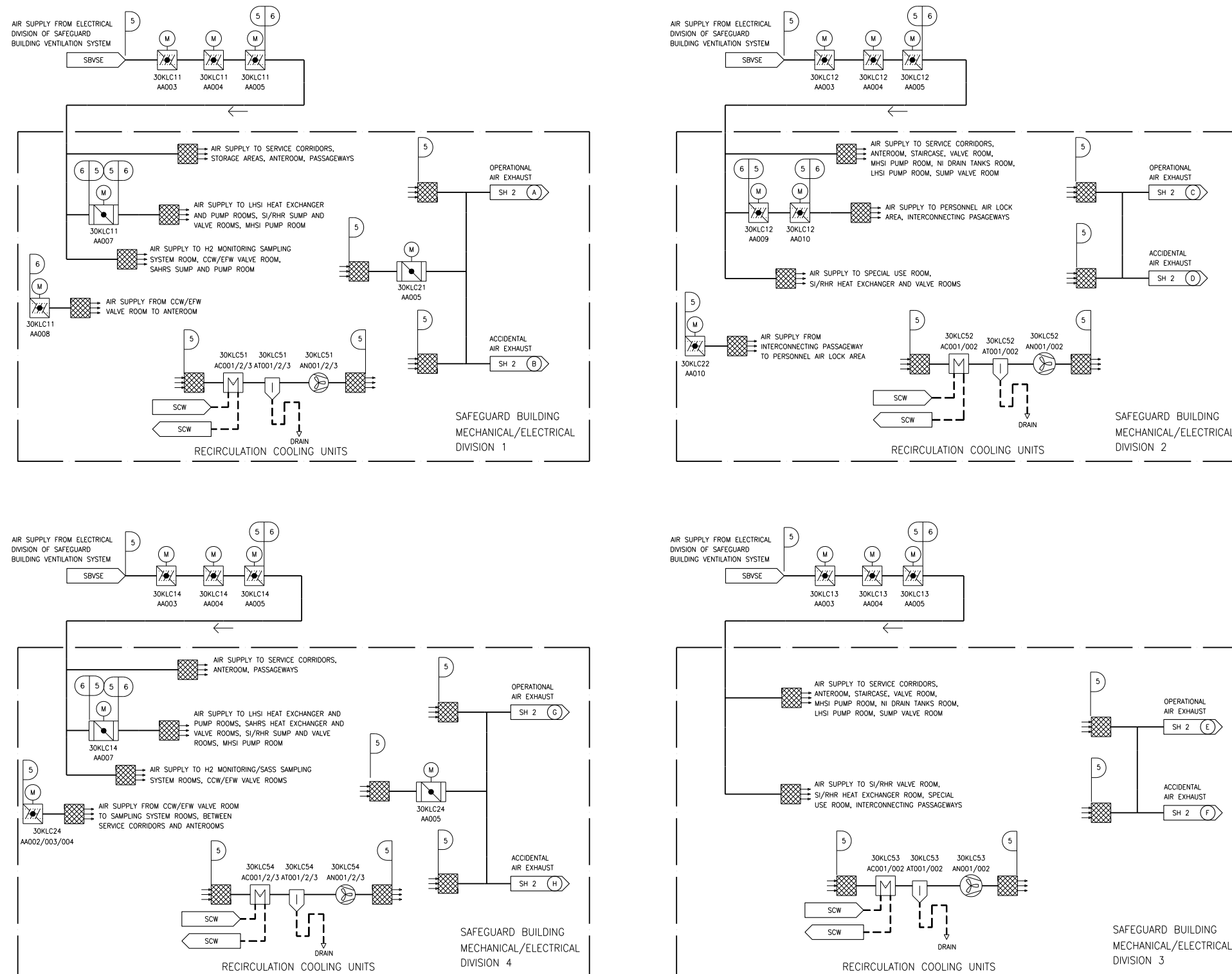


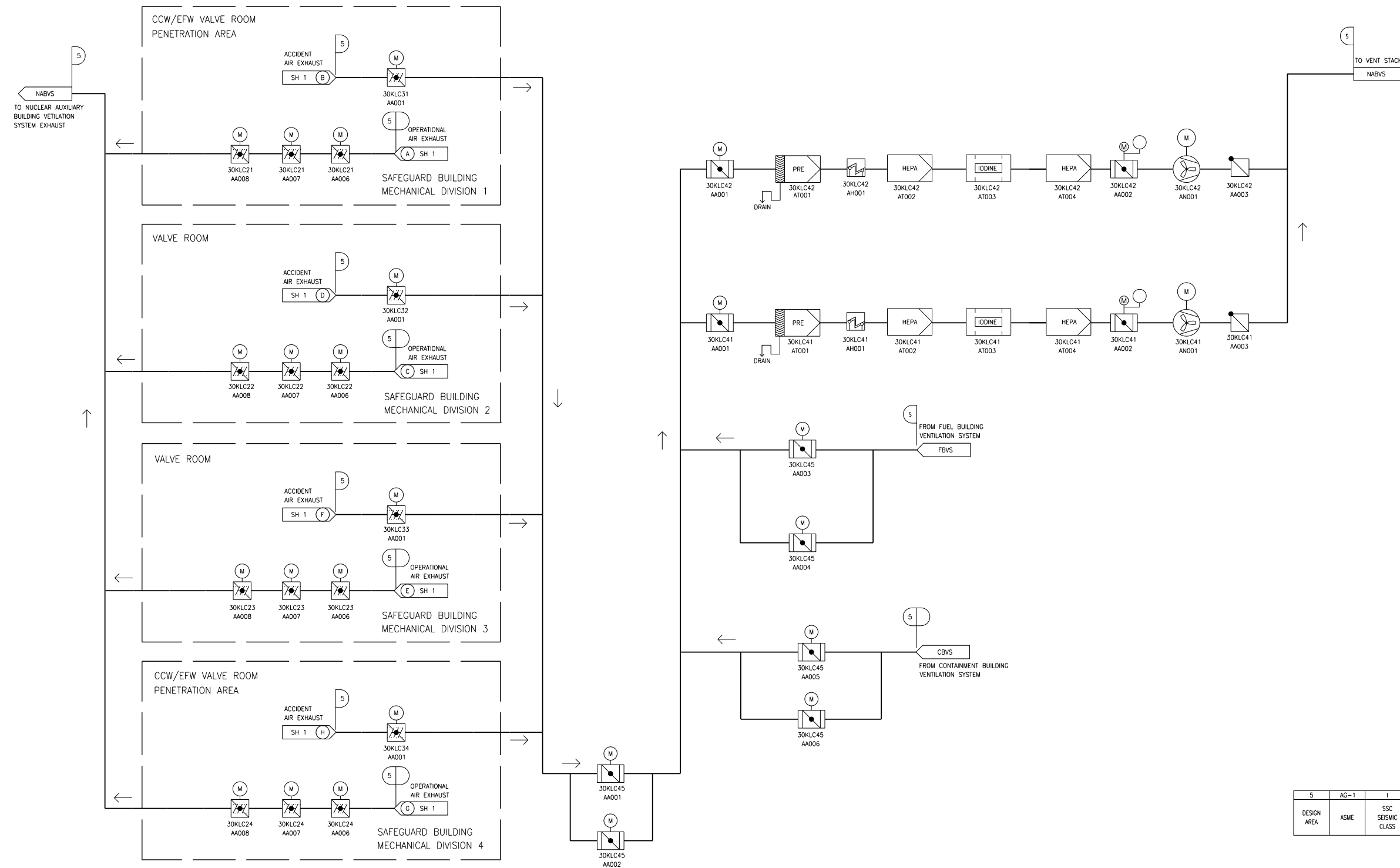
Figure 2.6.6-1—Safeguard Building Controlled-Area Ventilation System Air Supply Functional Arrangement



6	AG-1	II
5	AG-1	I
DESIGN AREA	ASME	SSC SEISMIC CLASS

KLC01T1

Figure 2.6.6-2—Safeguard Building Controlled-Area Ventilation System Exhaust Air Functional Arrangement



5	AG-1	I
DESIGN AREA	ASME	SSC SEISMIC CLASS

REV 001
KLC02T1