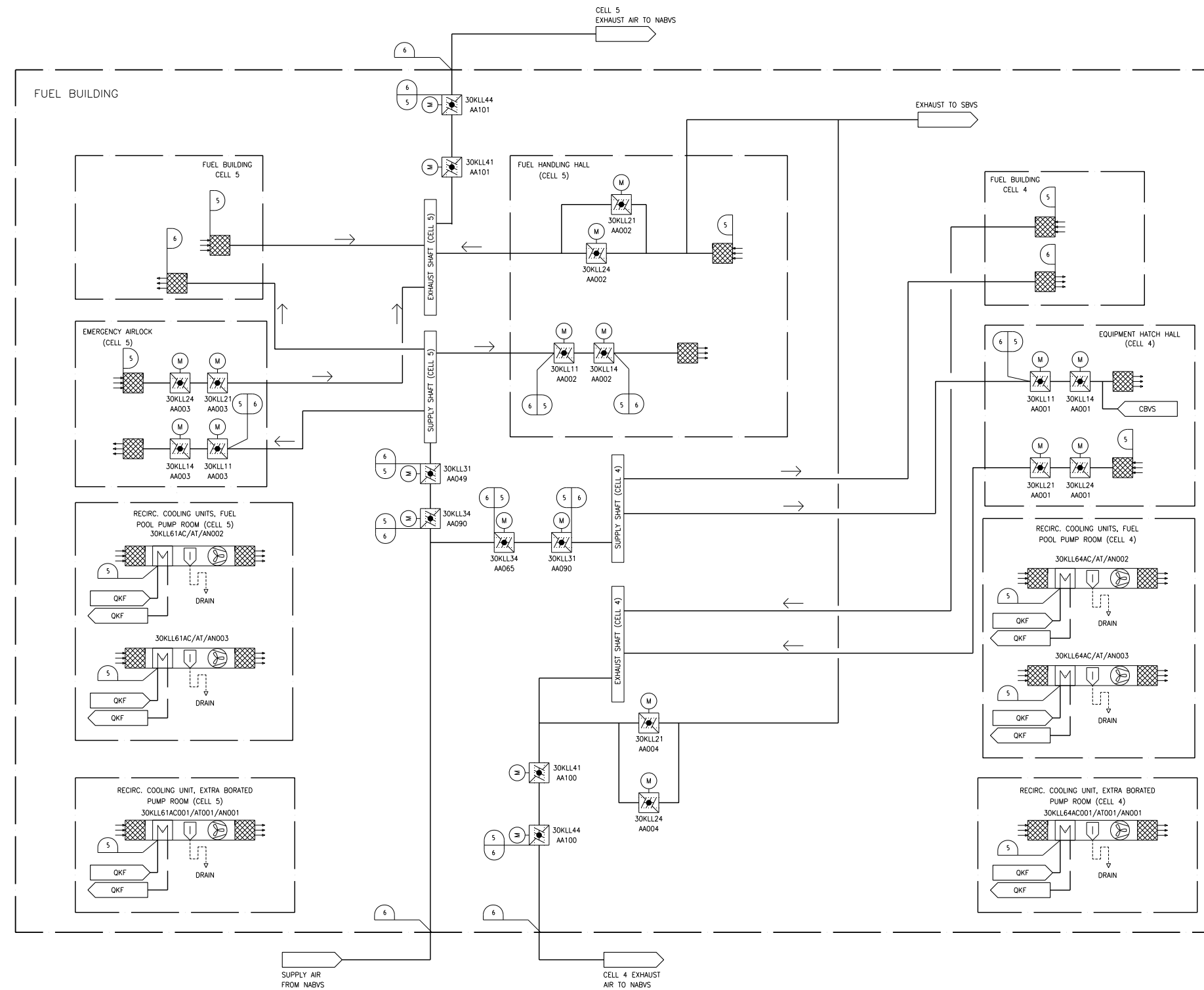


Figure 2.6.4-1—Fuel Building Ventilation System Functional Arrangement



6	AG-1	I 1
5	AG-1	I
DESIGN AREA	ASME	SSC SEISMIC CLASS

REV 001  
KLL01T1