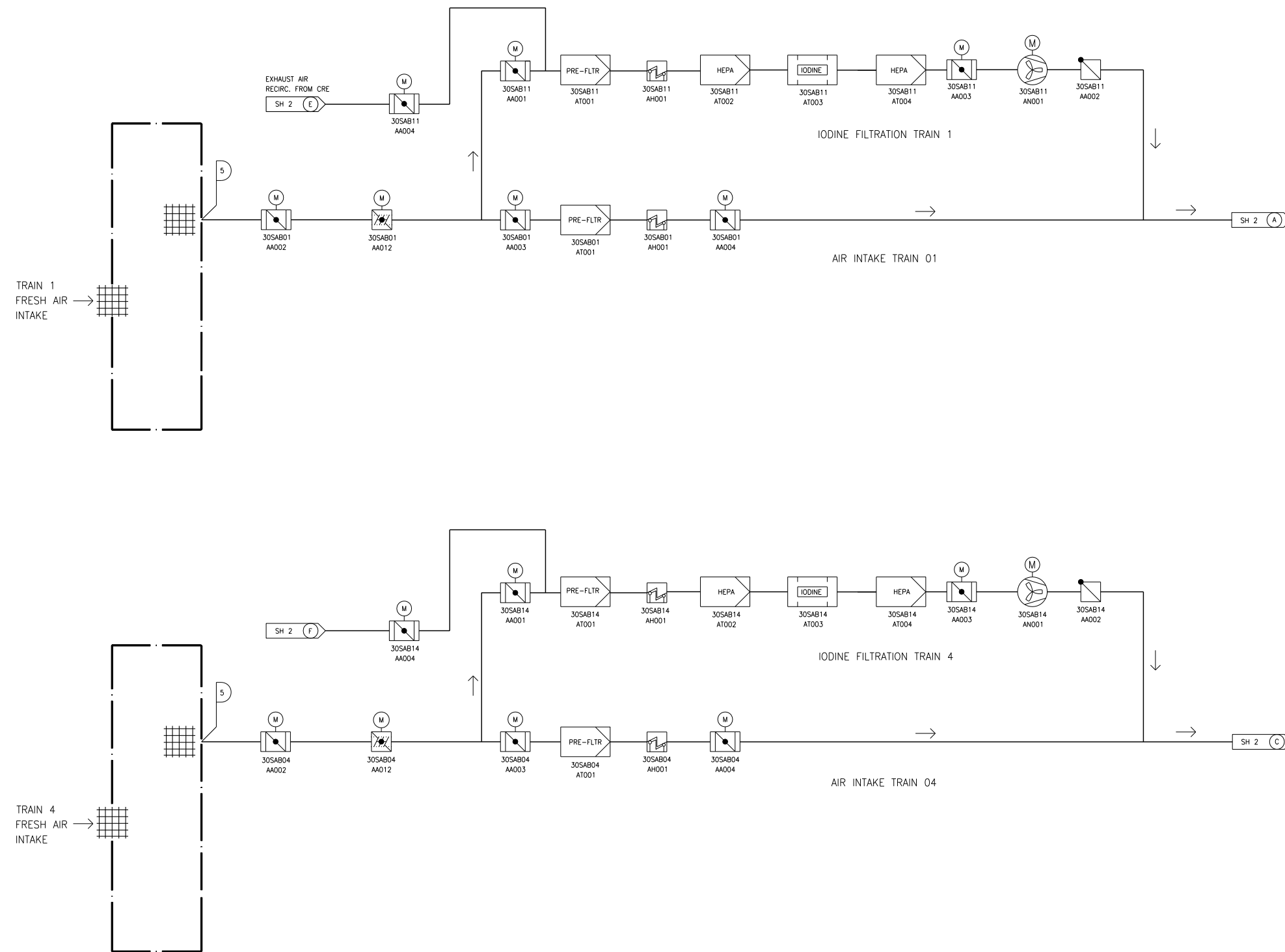
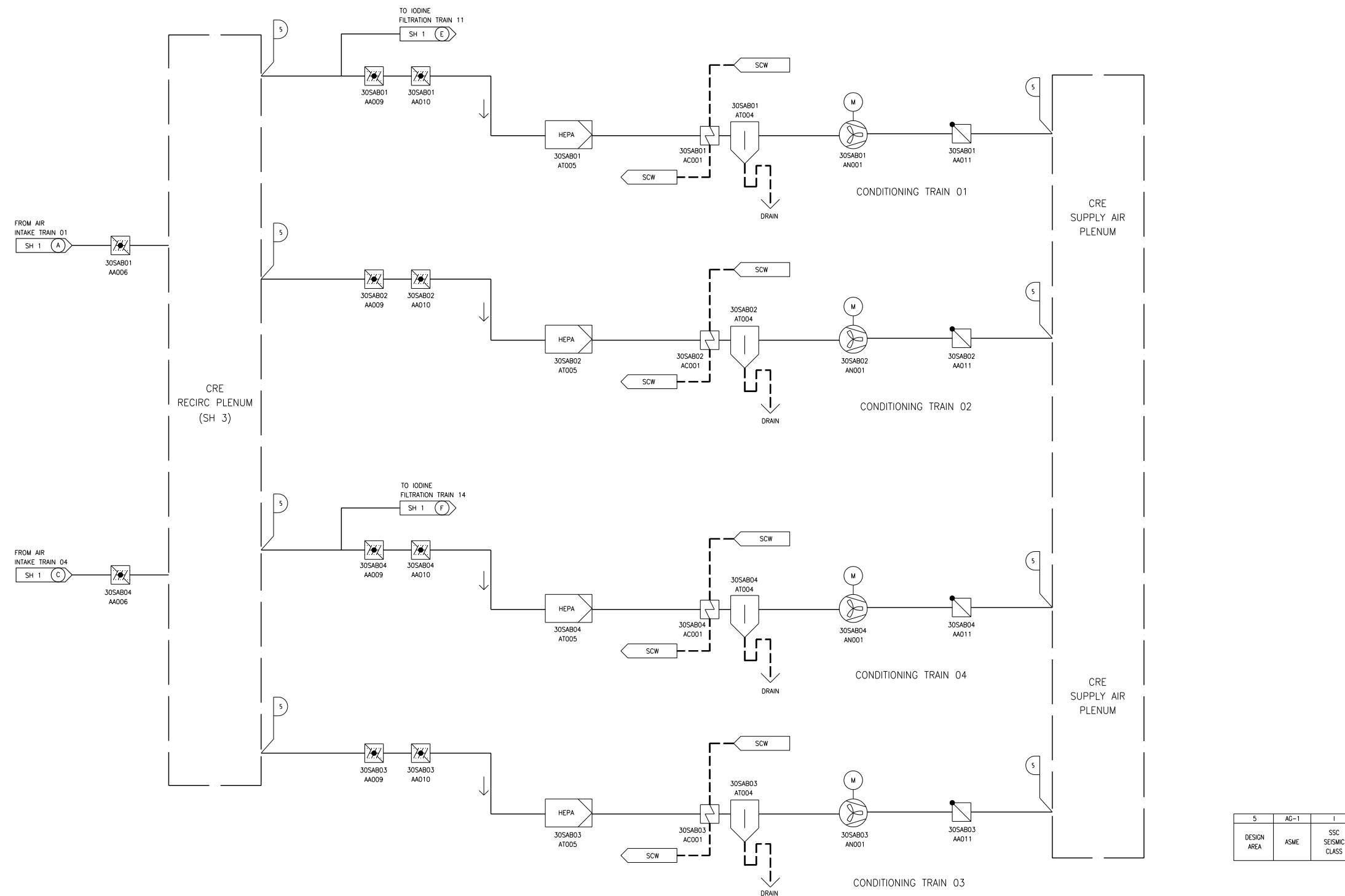


Figure 2.6.1-1—Control Room Air Intake and Iodine Filtration Train Subsystem Functional Arrangement



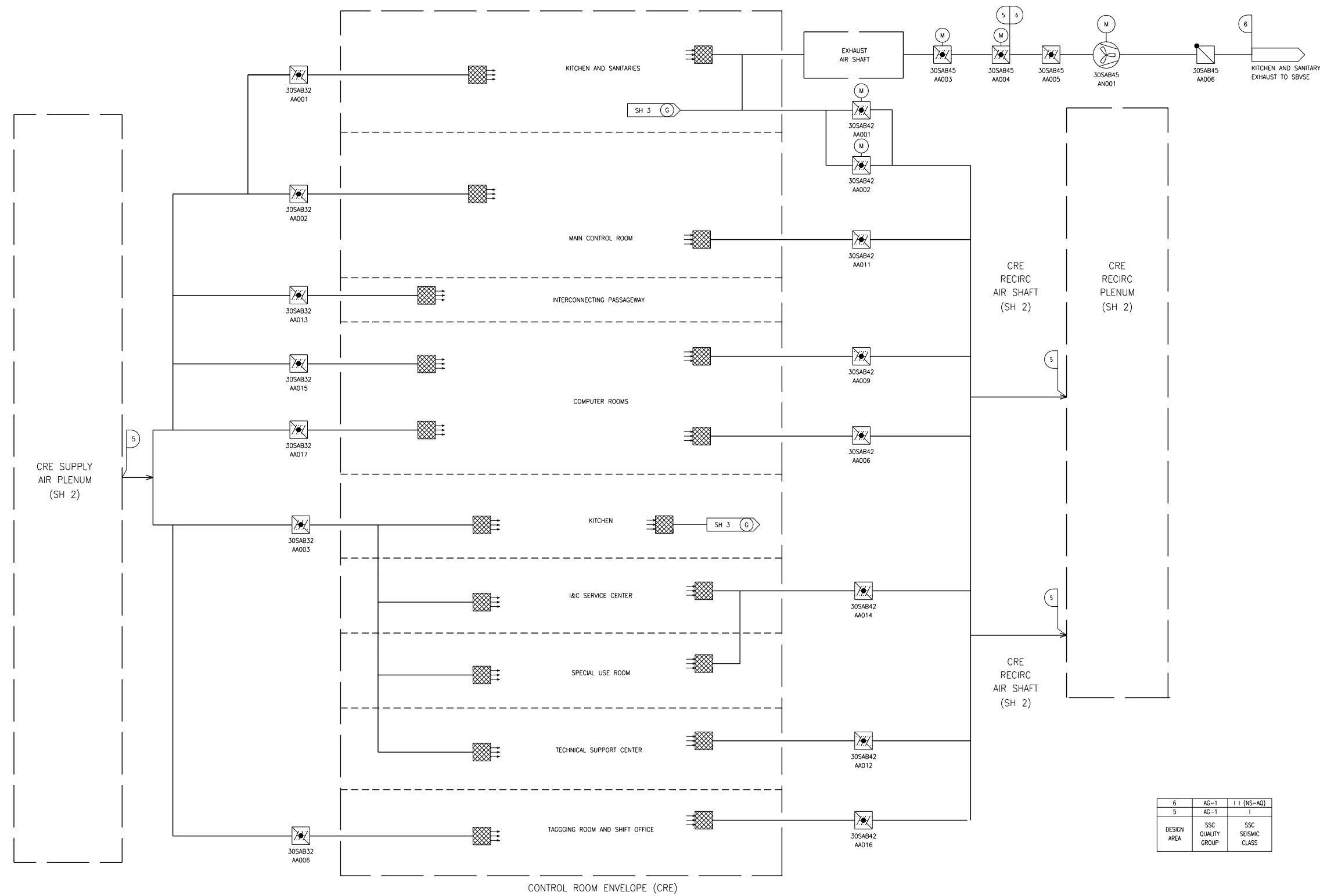
REV 001
SAB01T1

Figure 2.6.1-2—Control Room Air Conditioning and Recirculation Air Subsystem Functional Arrangement



REV 001
SAB02T1

Figure 2.6.1-3—CRE Air Supply and Recirculation Air Subsystem Functional Arrangement



6	AG-1	11 (NS-AQ)
5	AG-1	I
DESIGN AREA	SSC QUALITY GROUP	SSC SEISMIC CLASS

REV 001
SAB03T1