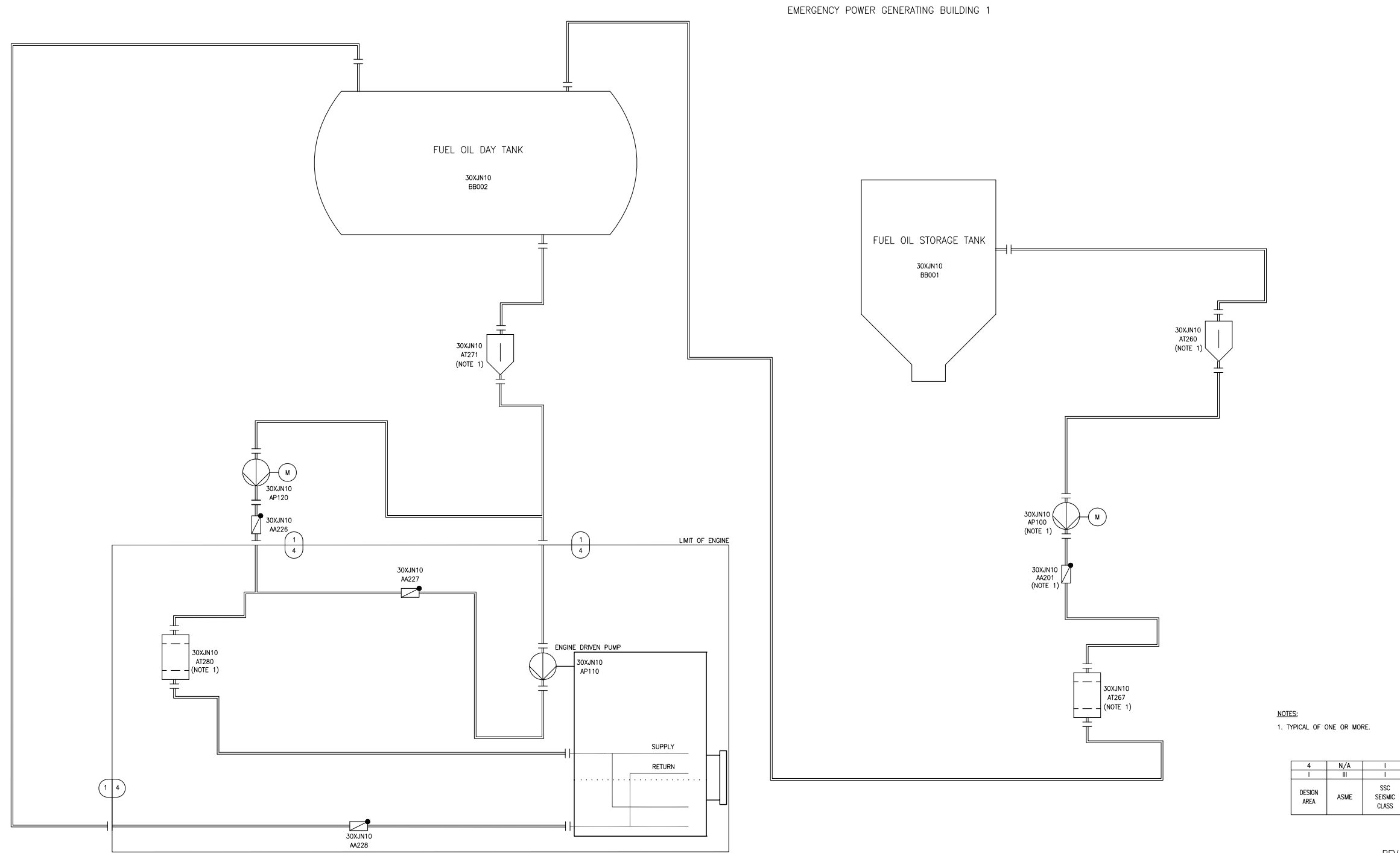


Figure 2.5.4-1—Emergency Diesel Generator Fuel Oil System Functional Arrangement  
Sheet 1 of 4



REV 001  
XJN01T1

Figure 2.5.4-1—Emergency Diesel Generator Fuel Oil System Functional Arrangement  
Sheet 2 of 4

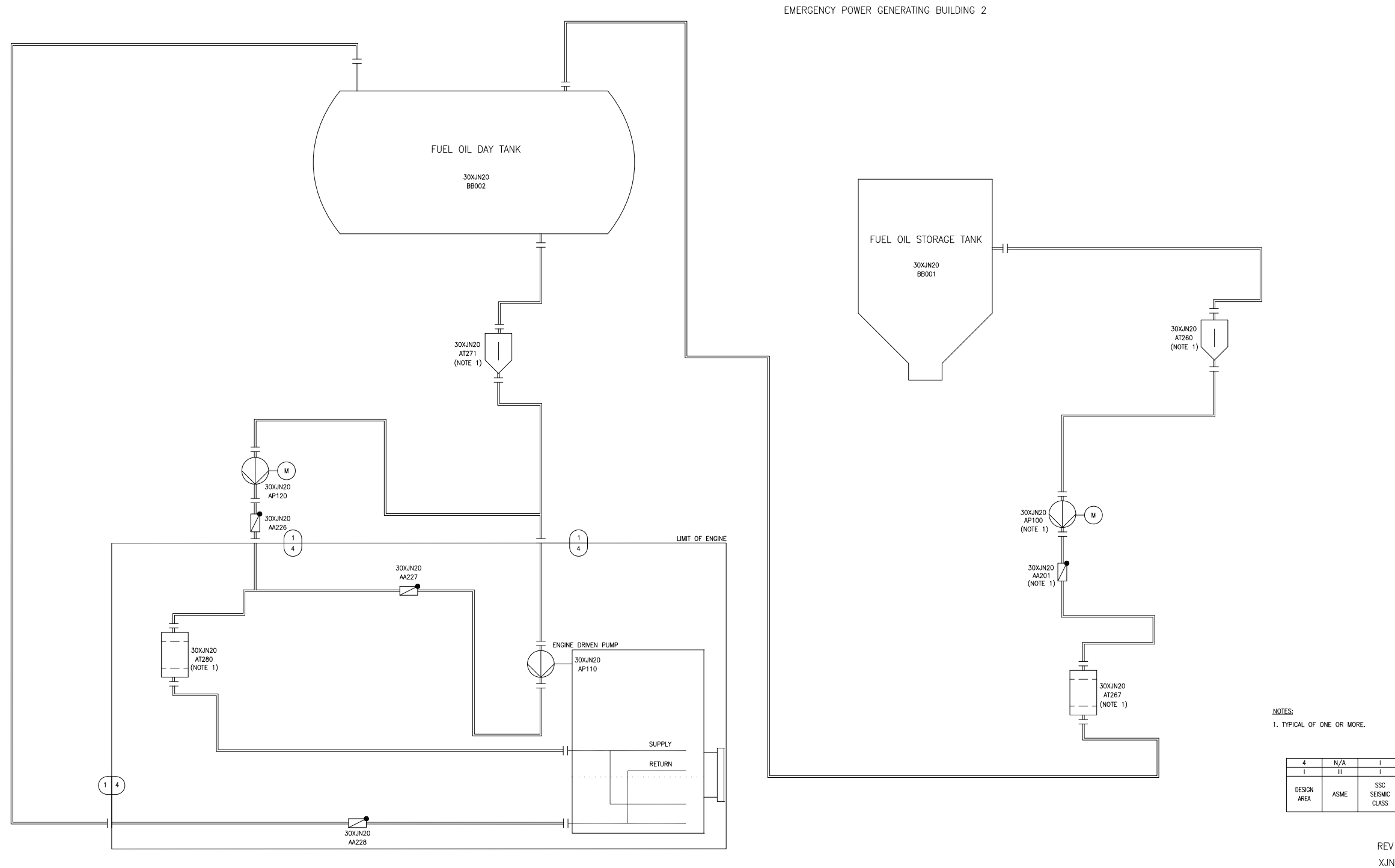
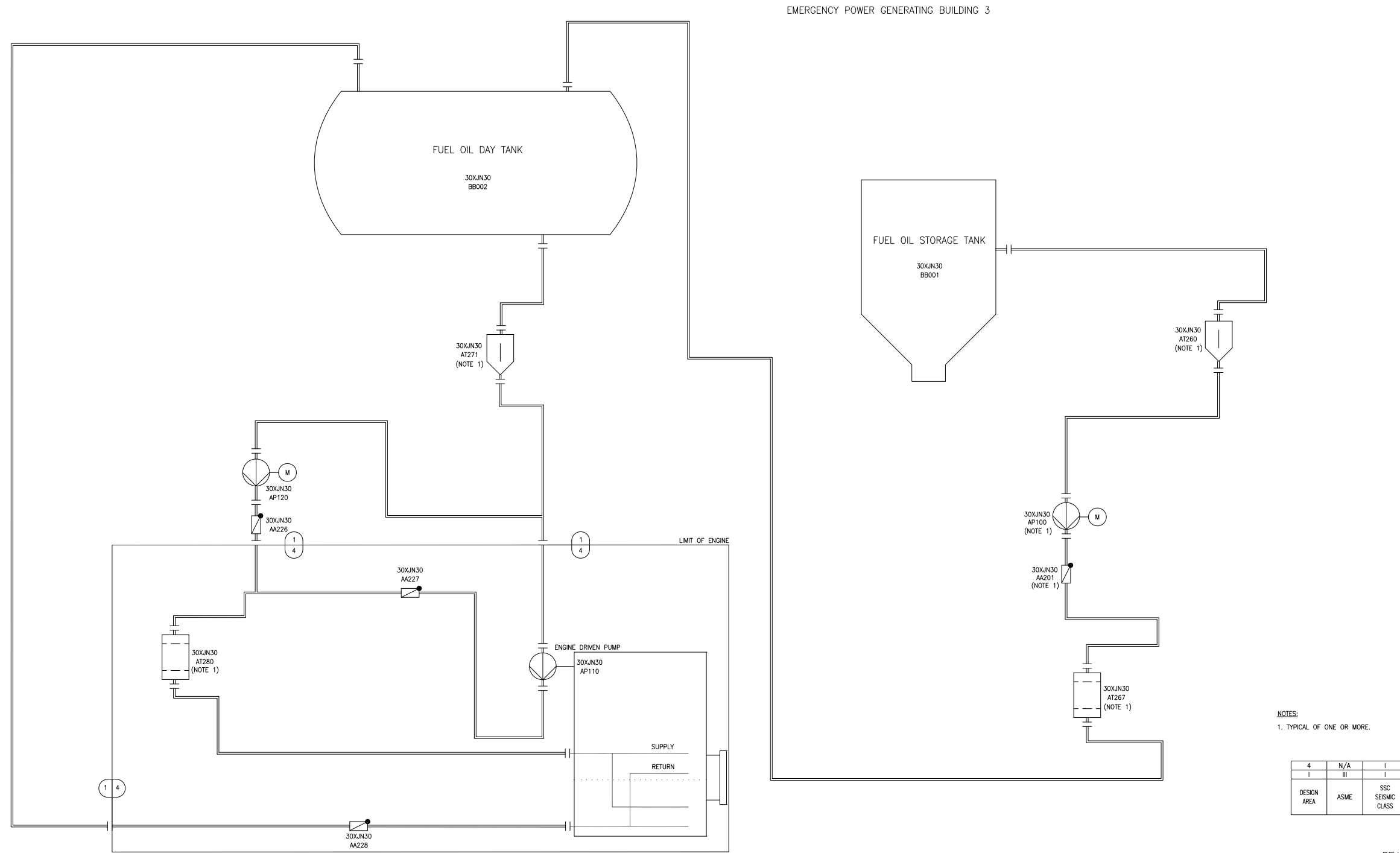
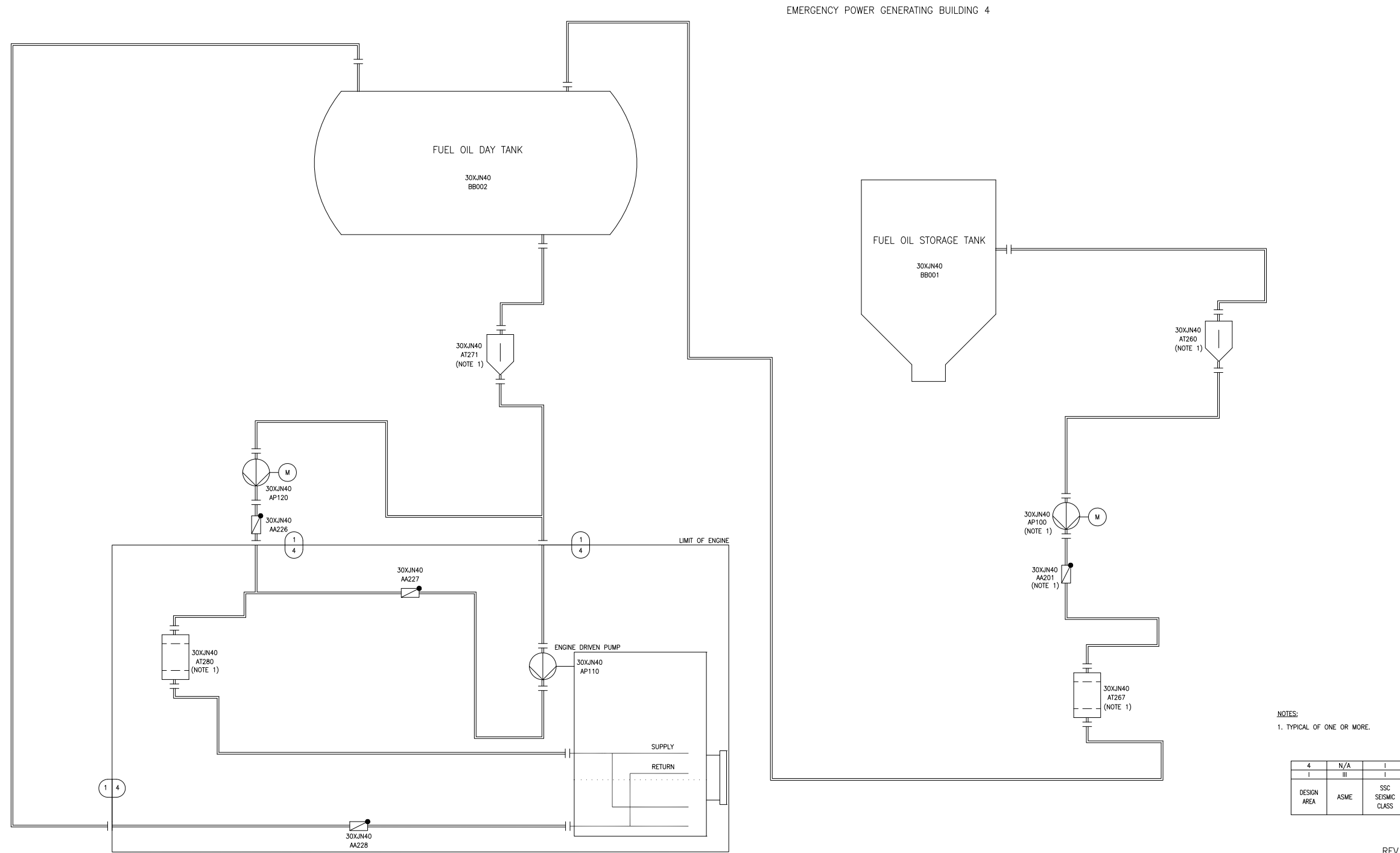


Figure 2.5.4-1—Emergency Diesel Generator Fuel Oil System Functional Arrangement  
Sheet 3 of 4



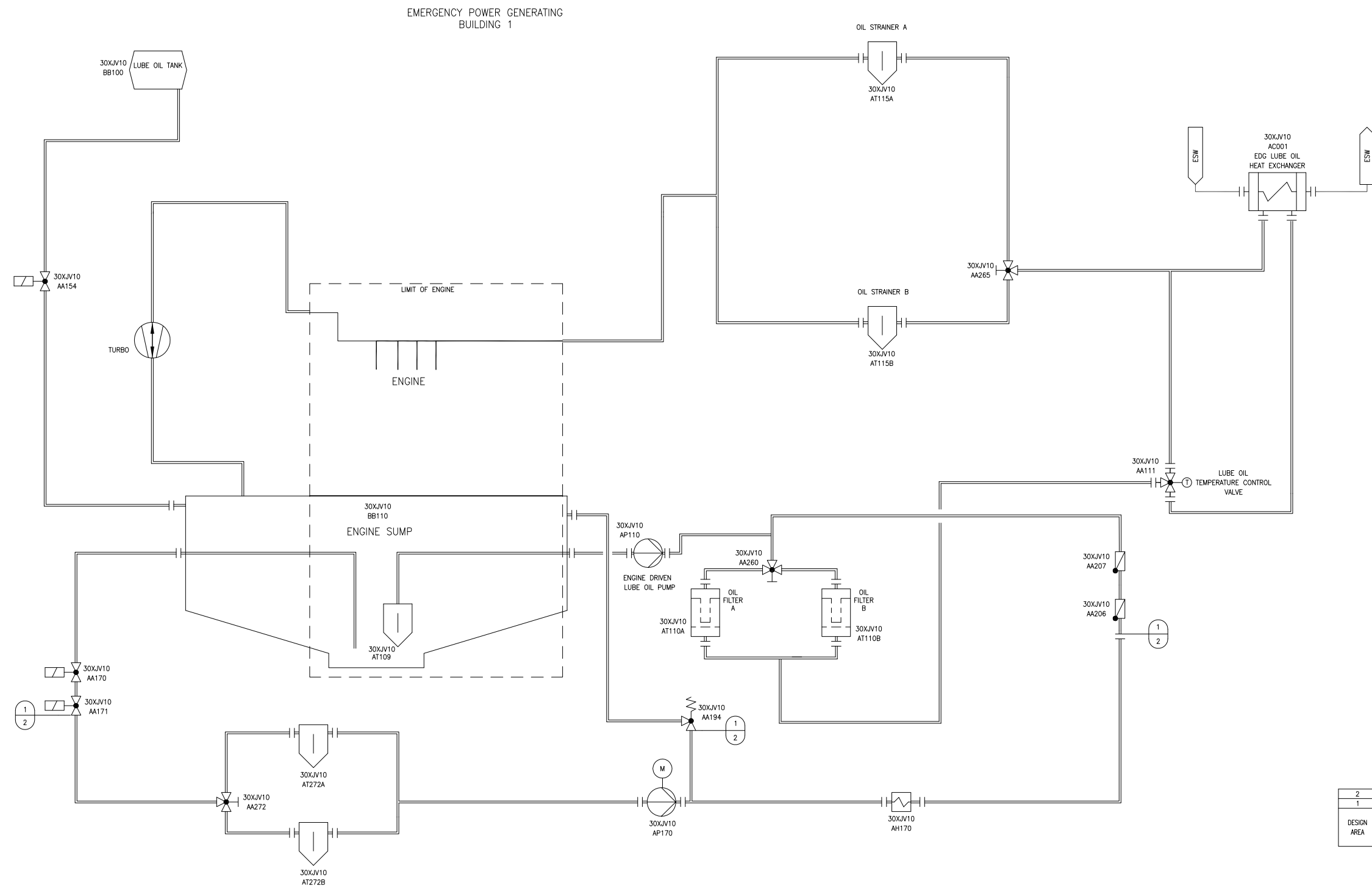
REV 001  
XJN03T1

Figure 2.5.4-1—Emergency Diesel Generator Fuel Oil System Functional Arrangement  
Sheet 4 of 4



REV 001  
XJN04T1

Figure 2.5.4-2—Emergency Diesel Generator Lubricating Oil System Functional Arrangement  
Sheet 1 of 4



2	N/A	II
1	III	I
DESIGN AREA	ASME	SSC SEISMIC CLASS

XJV01T1

Figure 2.5.4-2—Emergency Diesel Generator Lubricating Oil System Functional Arrangement  
Sheet 2 of 4

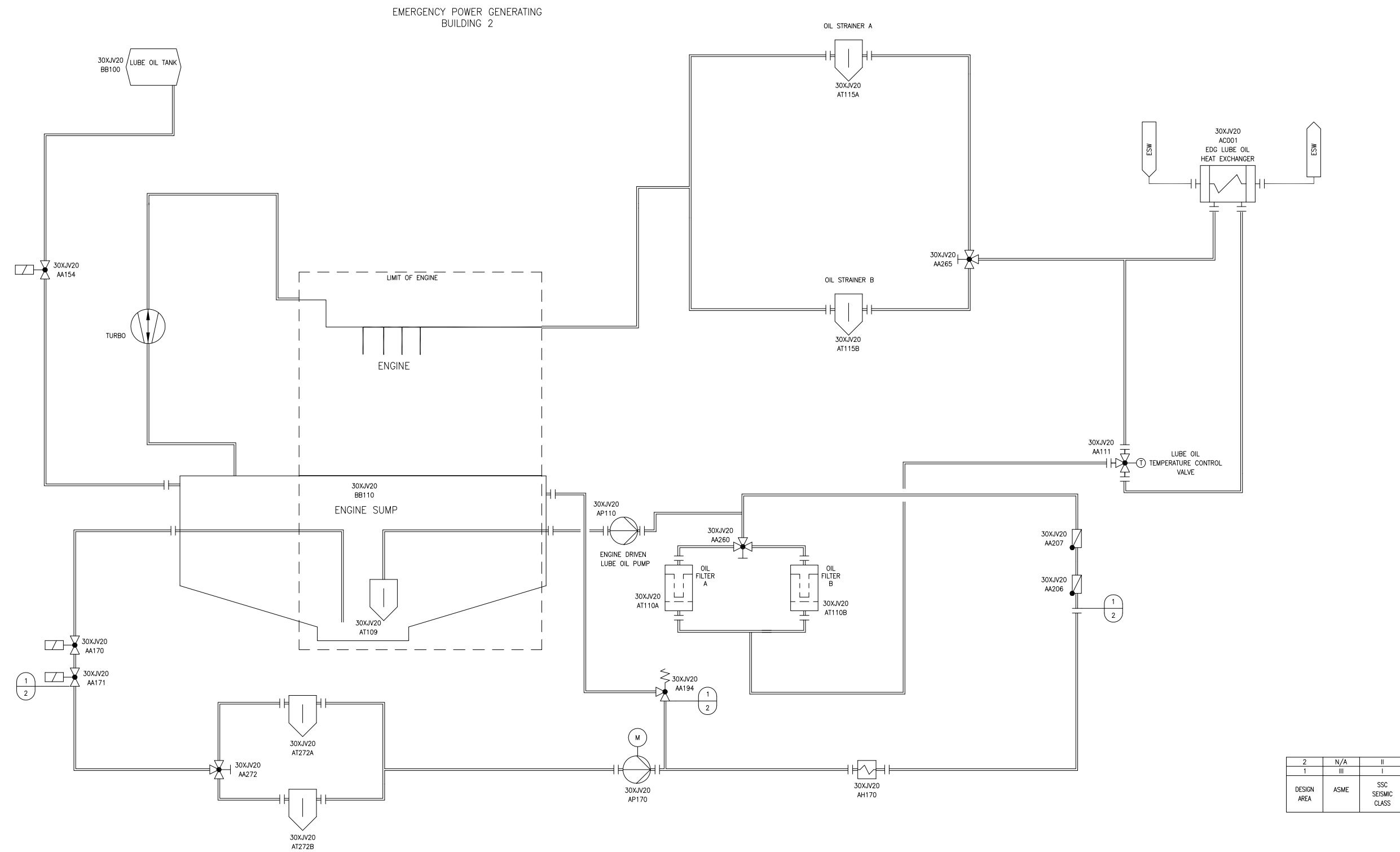
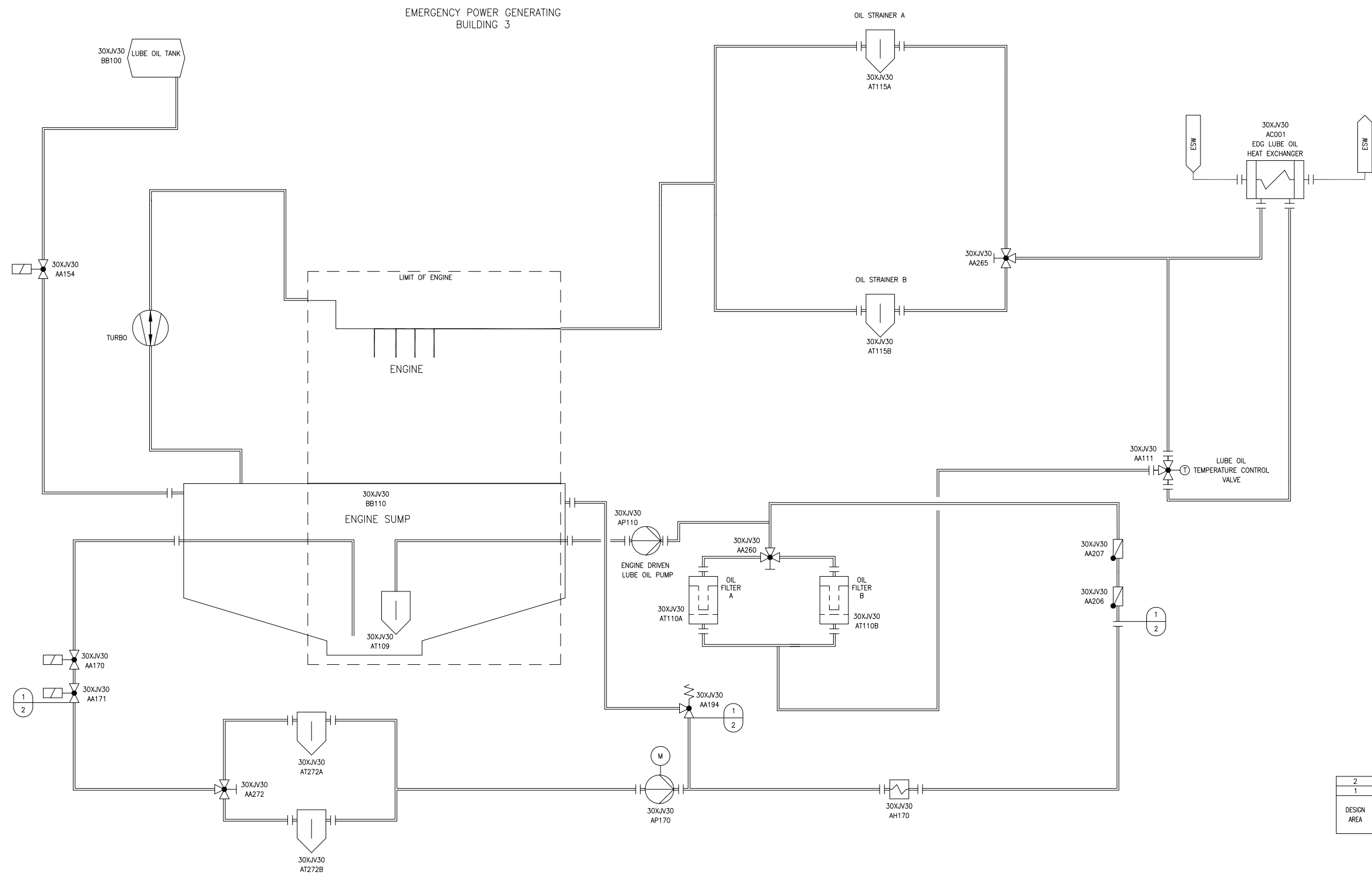


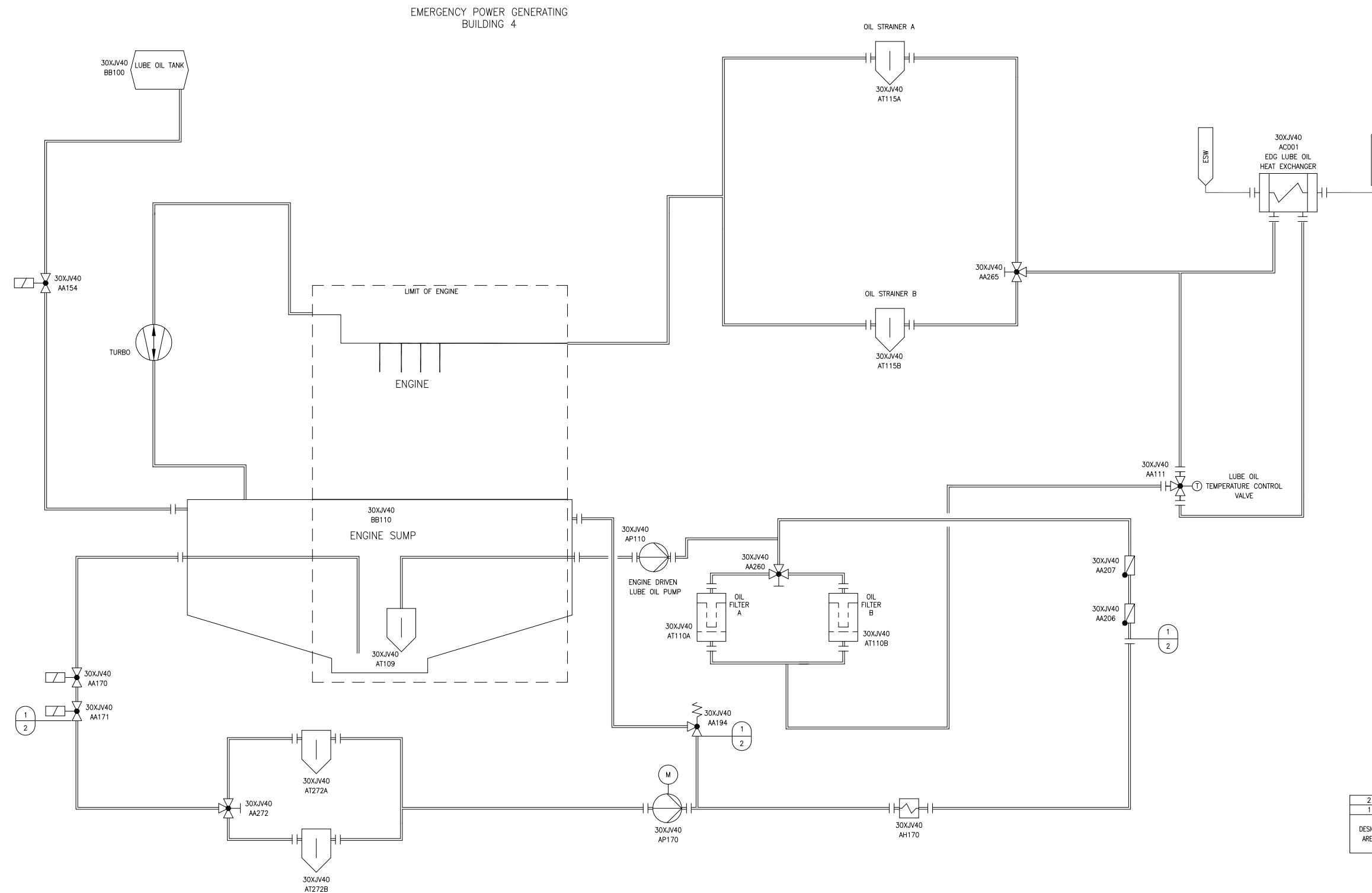
Figure 2.5.4-2—Emergency Diesel Generator Lubricating Oil System Functional Arrangement  
Sheet 3 of 4



2	N/A	II
1	III	I
DESIGN AREA	ASME	SSC SEISMIC CLASS

XJV03T1

Figure 2.5.4-2—Emergency Diesel Generator Lubricating Oil System Functional Arrangement  
Sheet 4 of 4



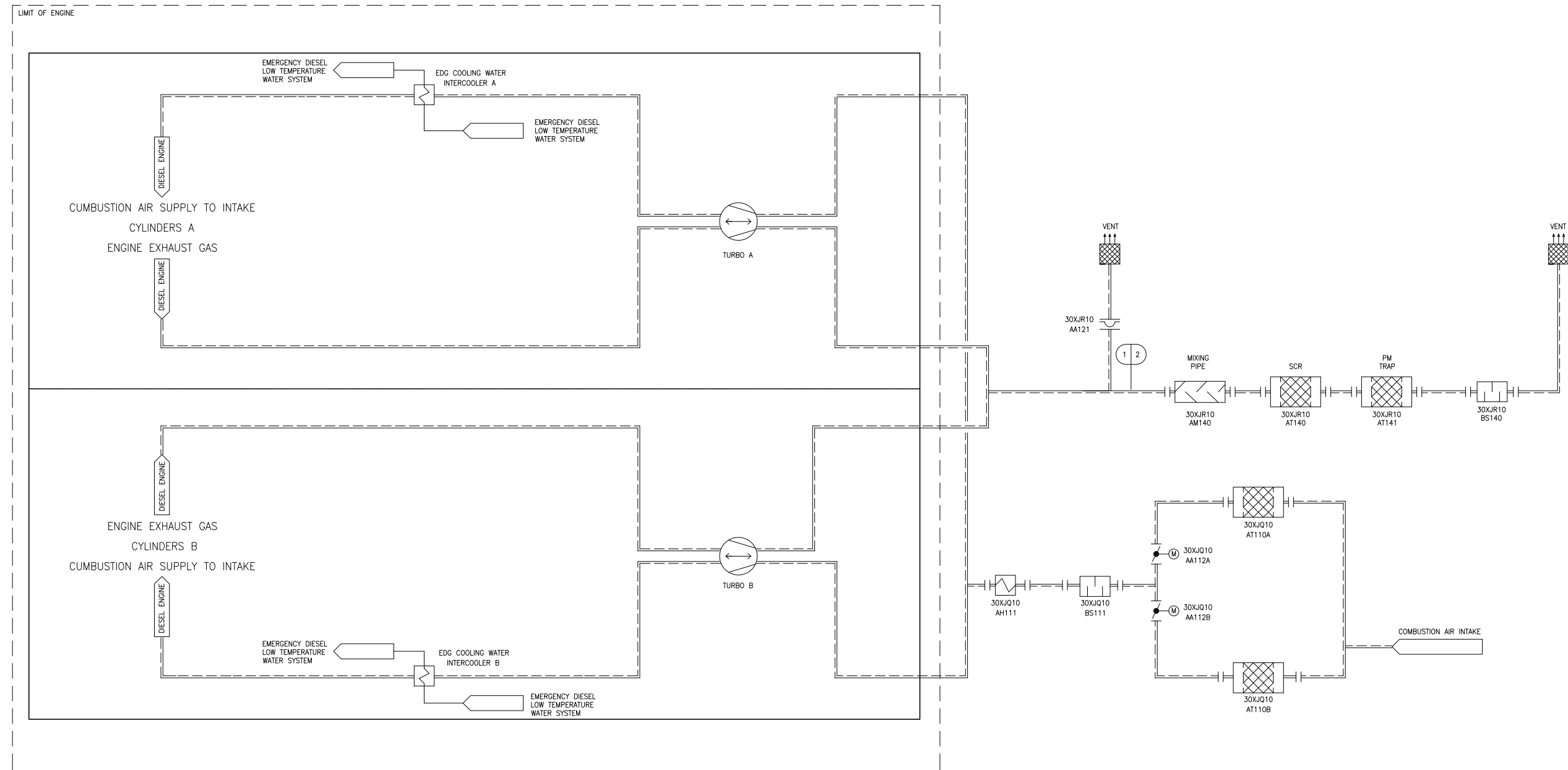
2	N/A	II
1	III	I
DESIGN AREA	ASME	SSC SEISMIC CLASS

XJV04T1



Figure 2.5.4-3—Emergency Diesel Generator Air Intake and Exhaust System Functional Arrangement  
Sheet 1 of 4

EMERGENCY POWER GENERATING BUILDING 1

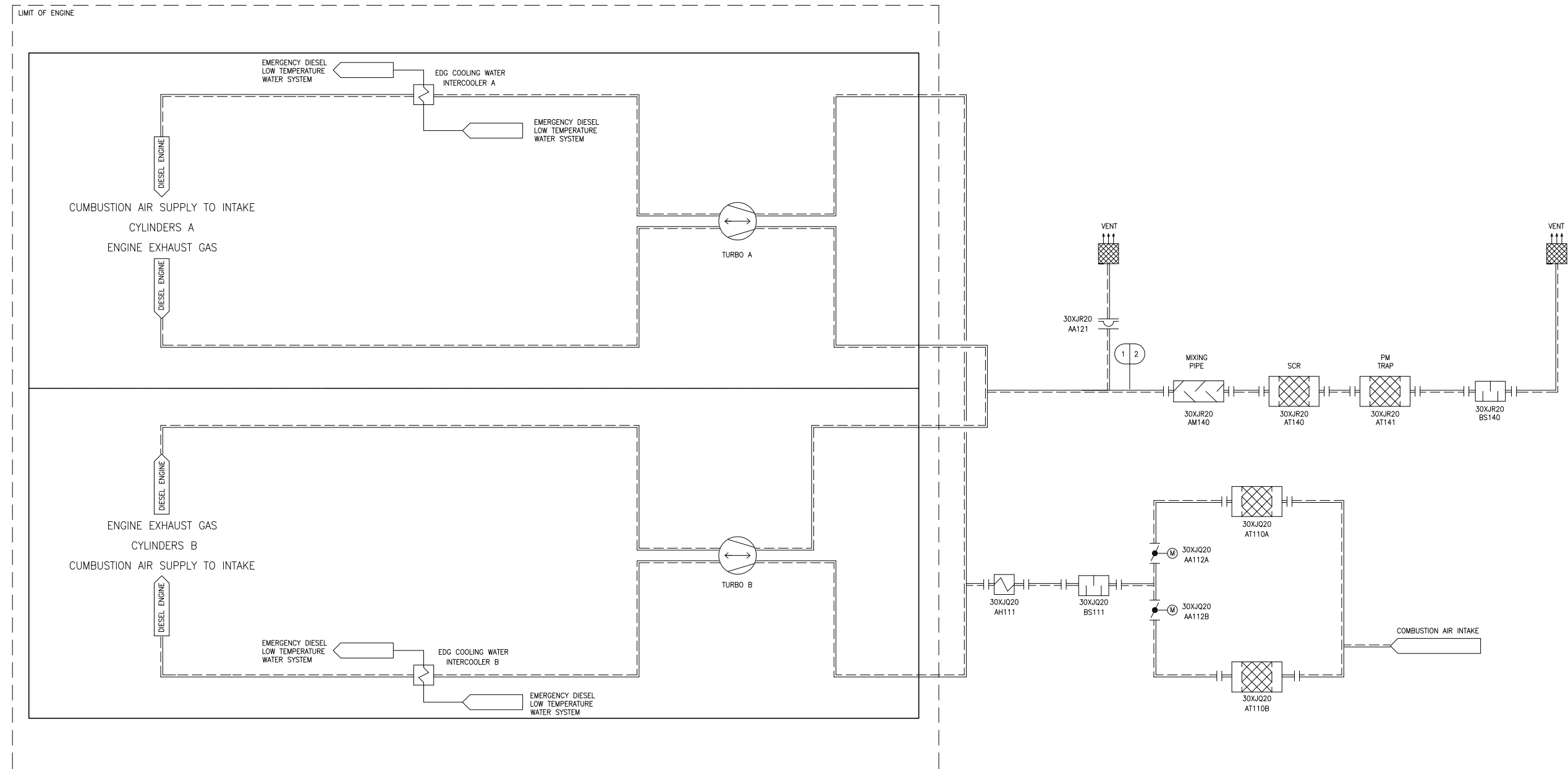


2	N/A	1 1
1	III	I
DESIGN AREA	ASME	SSC SEISMIC CLASS

XJQ01T1

Figure 2.5.4-3—Emergency Diesel Generator Air Intake and Exhaust System Functional Arrangement  
Sheet 2 of 4

EMERGENCY POWER GENERATING BUILDING 2

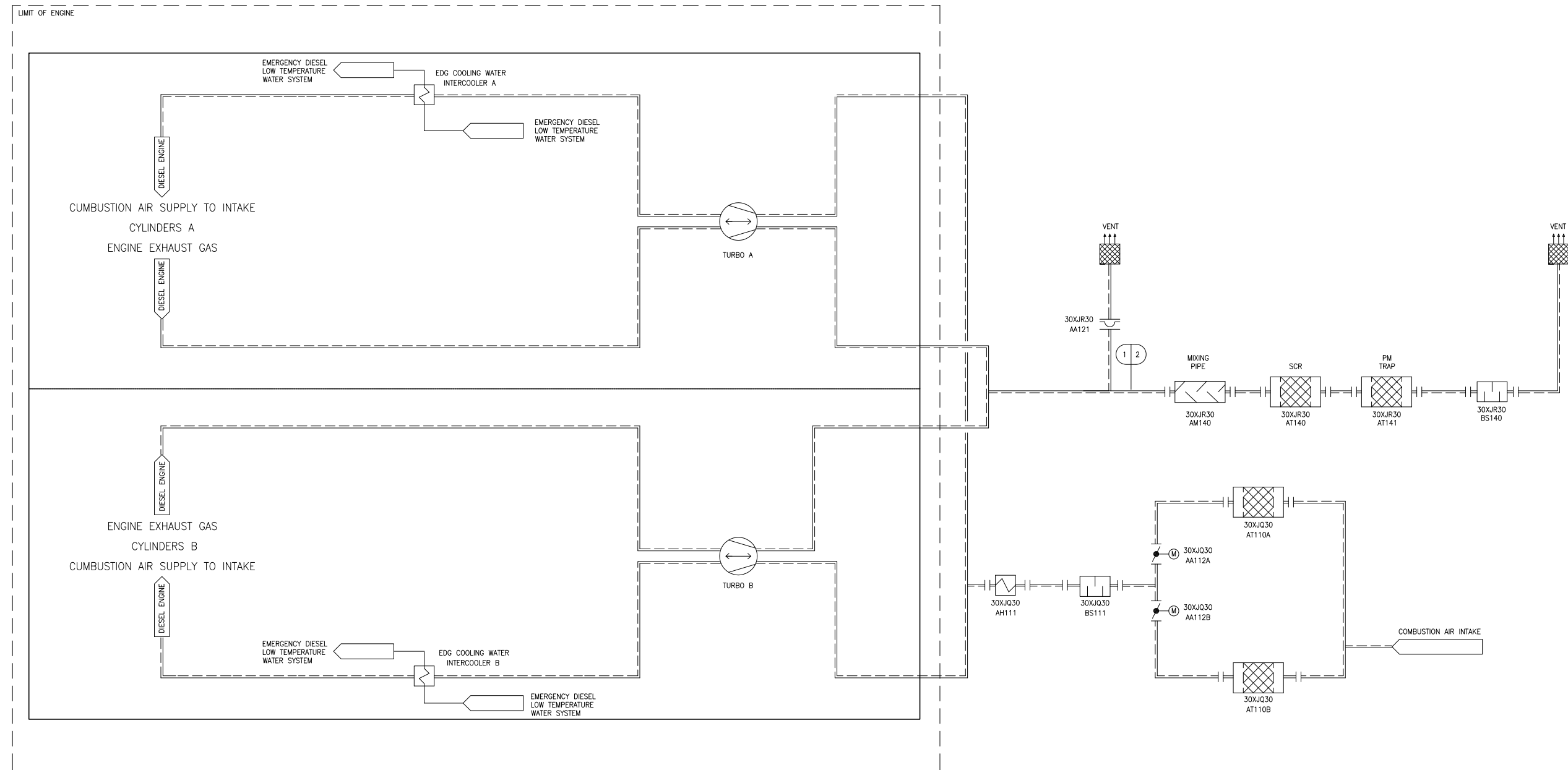


2	N/A	1 1
1	III	I
DESIGN AREA	ASME	SSC SEISMIC CLASS

XJQ02T1

Figure 2.5.4-3—Emergency Diesel Generator Air Intake and Exhaust System Functional Arrangement  
Sheet 3 of 4

EMERGENCY POWER GENERATING BUILDING 3

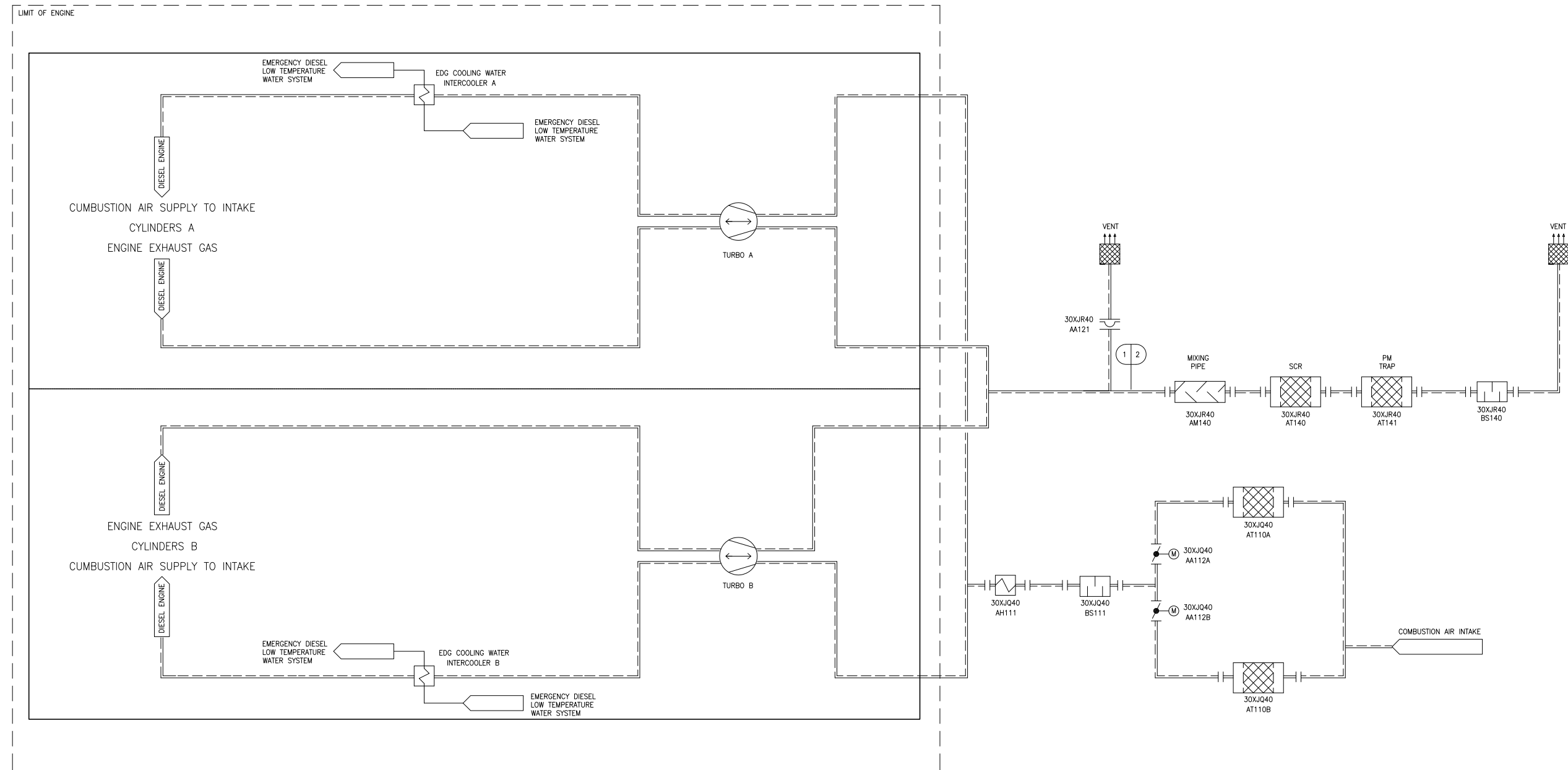


2	N/A	1 1
1	III	I
DESIGN AREA	ASME	SSC SEISMIC CLASS

XJQ03T1

Figure 2.5.4-3—Emergency Diesel Generator Air Intake and Exhaust System Functional Arrangement  
Sheet 4 of 4

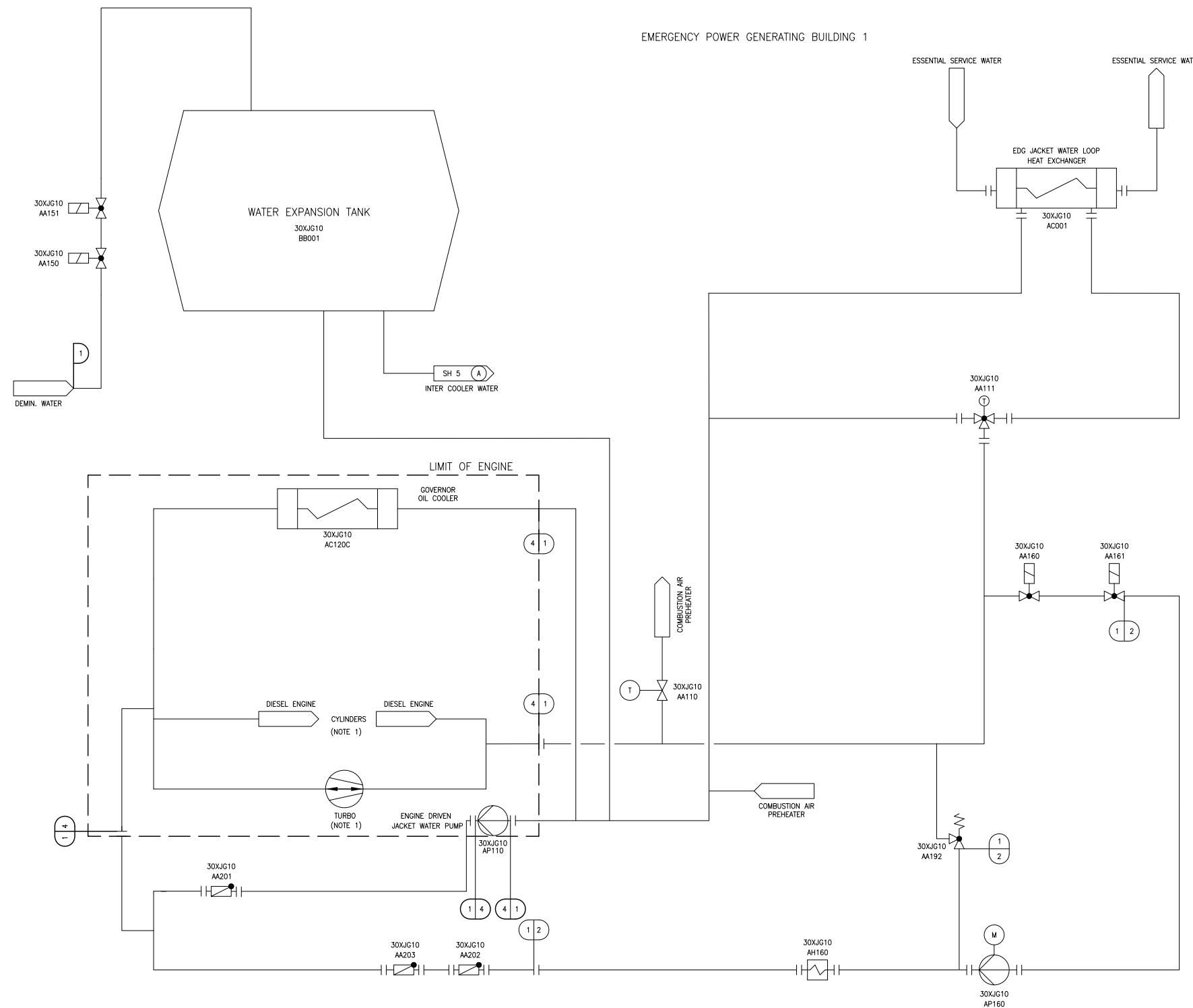
EMERGENCY POWER GENERATING BUILDING 4



2	N/A	1 1
1	III	I
DESIGN AREA	ASME	SSC SEISMIC CLASS

XJQ04T1

Figure 2.5.4-4—Emergency Diesel Generator Cooling Water System Functional Arrangement  
Sheet 1 of 8



NOTES:  
1. TYPICAL OF ONE OR MORE.

4	N/A	I
2	N/A	II
1	III	I
DESIGN AREA	ASME	SSC SEISMIC CLASS

XJG01T1

Figure 2.5.4-4—Emergency Diesel Generator Cooling Water System Functional Arrangement  
Sheet 2 of 8

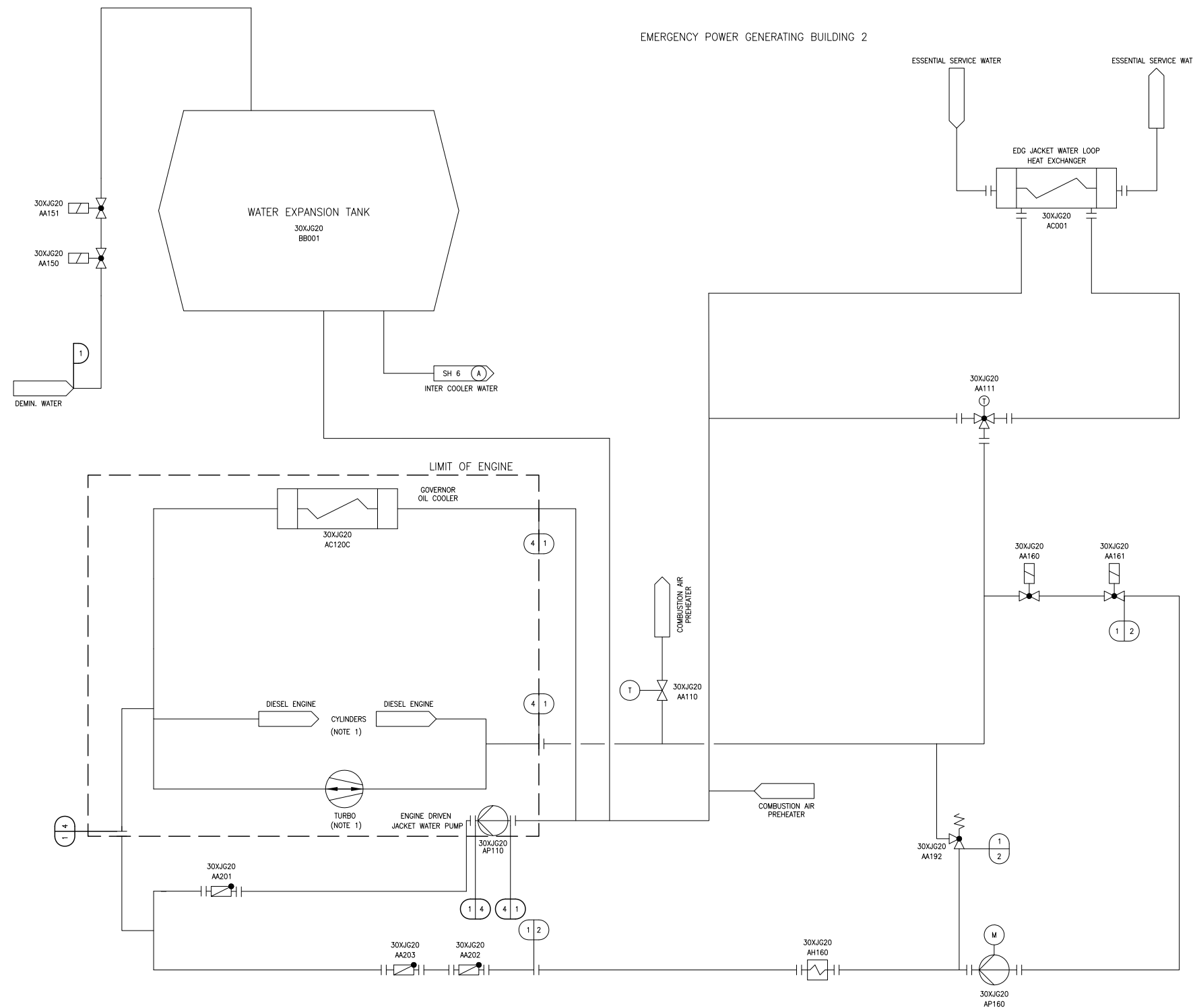
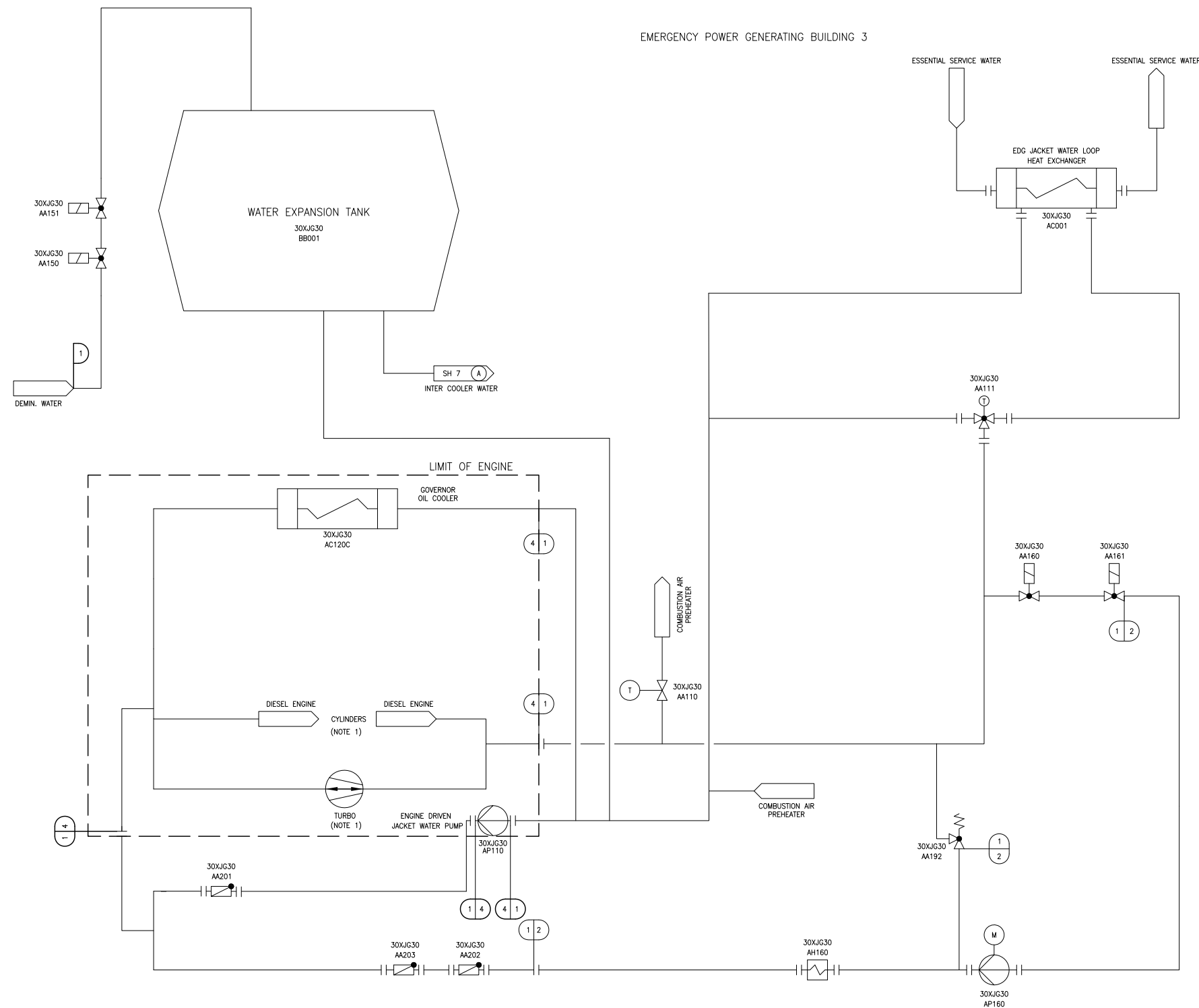


Figure 2.5.4-4—Emergency Diesel Generator Cooling Water System Functional Arrangement  
Sheet 3 of 8

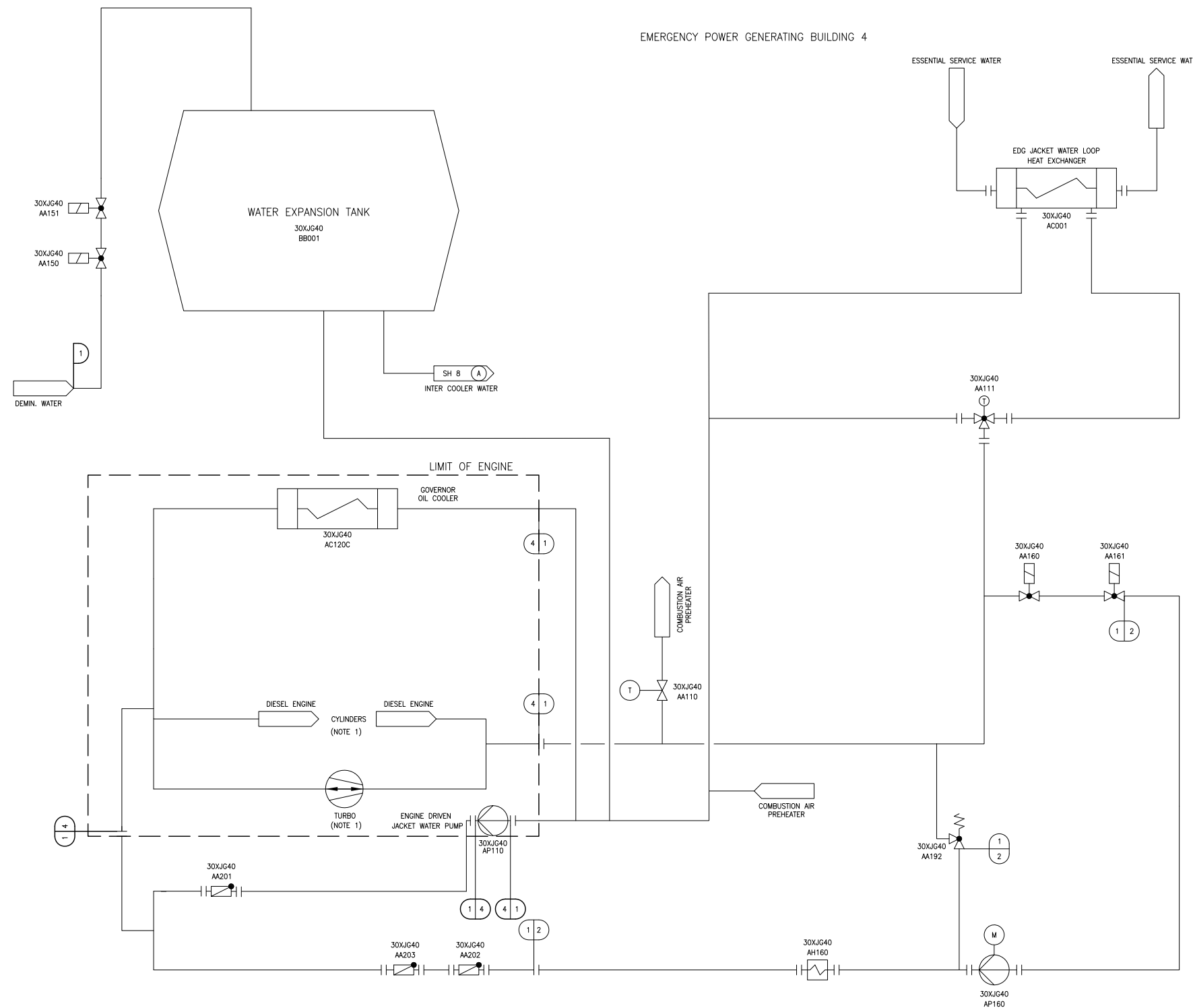


NOTES:  
1. TYPICAL OF ONE OR MORE.

4	N/A	I
2	N/A	II
1	III	I
DESIGN AREA	ASME	SSC SEISMIC CLASS

XJG03T1

Figure 2.5.4-4—Emergency Diesel Generator Cooling Water System Functional Arrangement  
Sheet 4 of 8



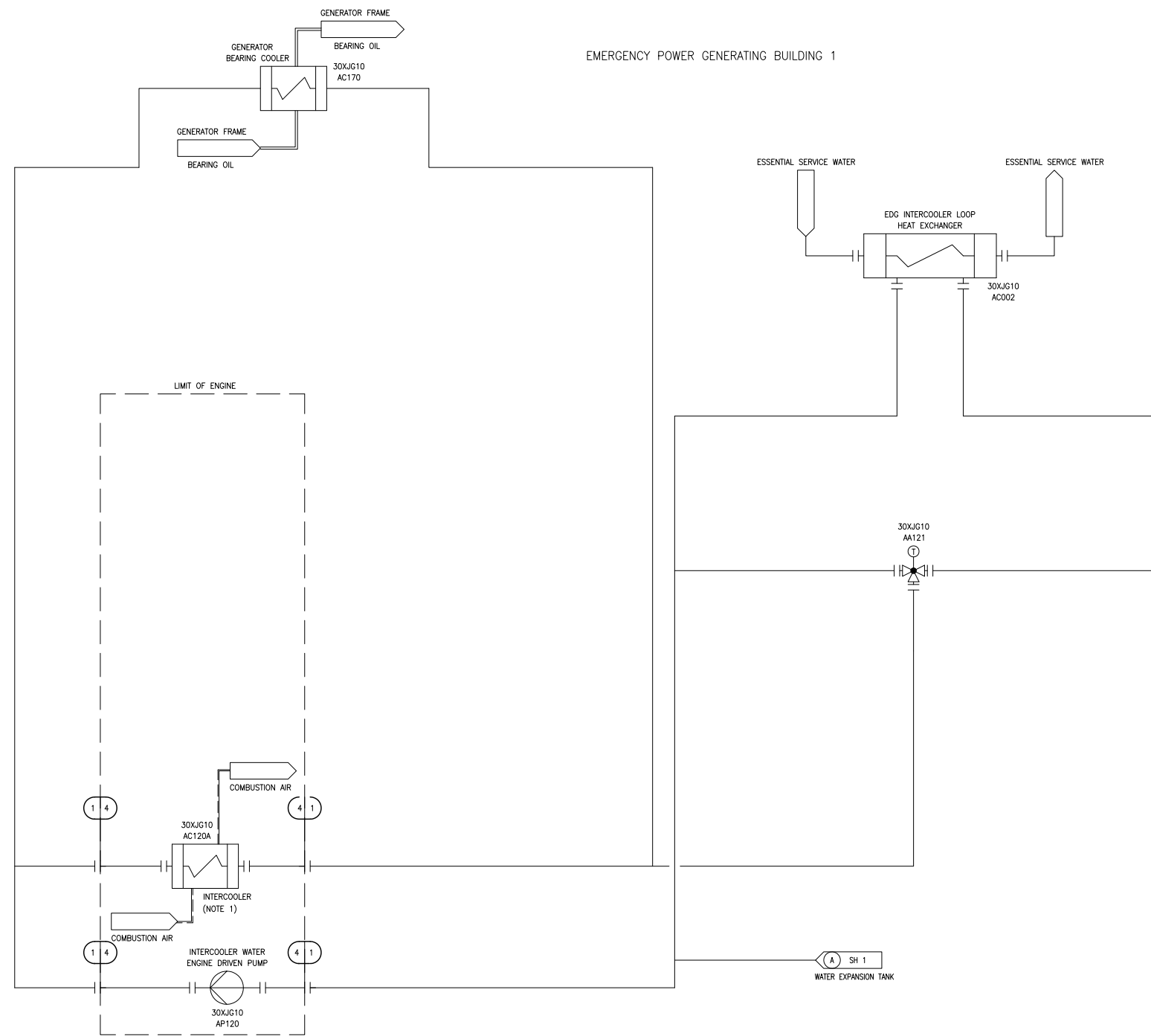
NOTES:  
1. TYPICAL OF ONE OR MORE.

4	N/A	I
2	N/A	II
1	III	I
DESIGN AREA	ASME	SSC SEISMIC CLASS

XJG04T1



Figure 2.5.4-4—Emergency Diesel Generator Cooling Water System Functional Arrangement  
Sheet 5 of 8

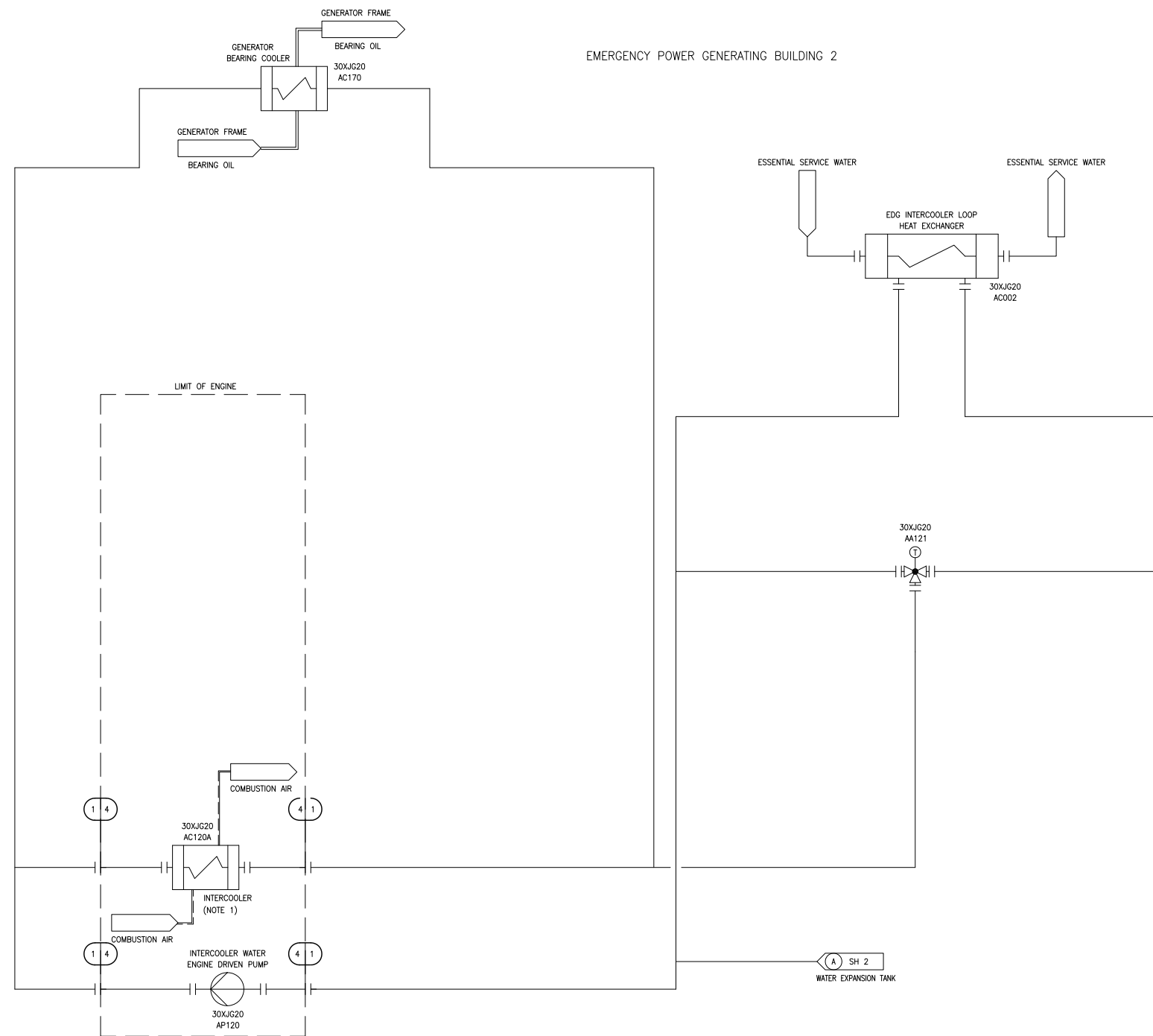


NOTES:  
1. TYPICAL OF ONE OR MORE.

4	N/A	I
1	III	I
DESIGN AREA	ASME	SSC SEISMIC CLASS

XJG05T1

Figure 2.5.4-4—Emergency Diesel Generator Cooling Water System Functional Arrangement  
Sheet 6 of 8

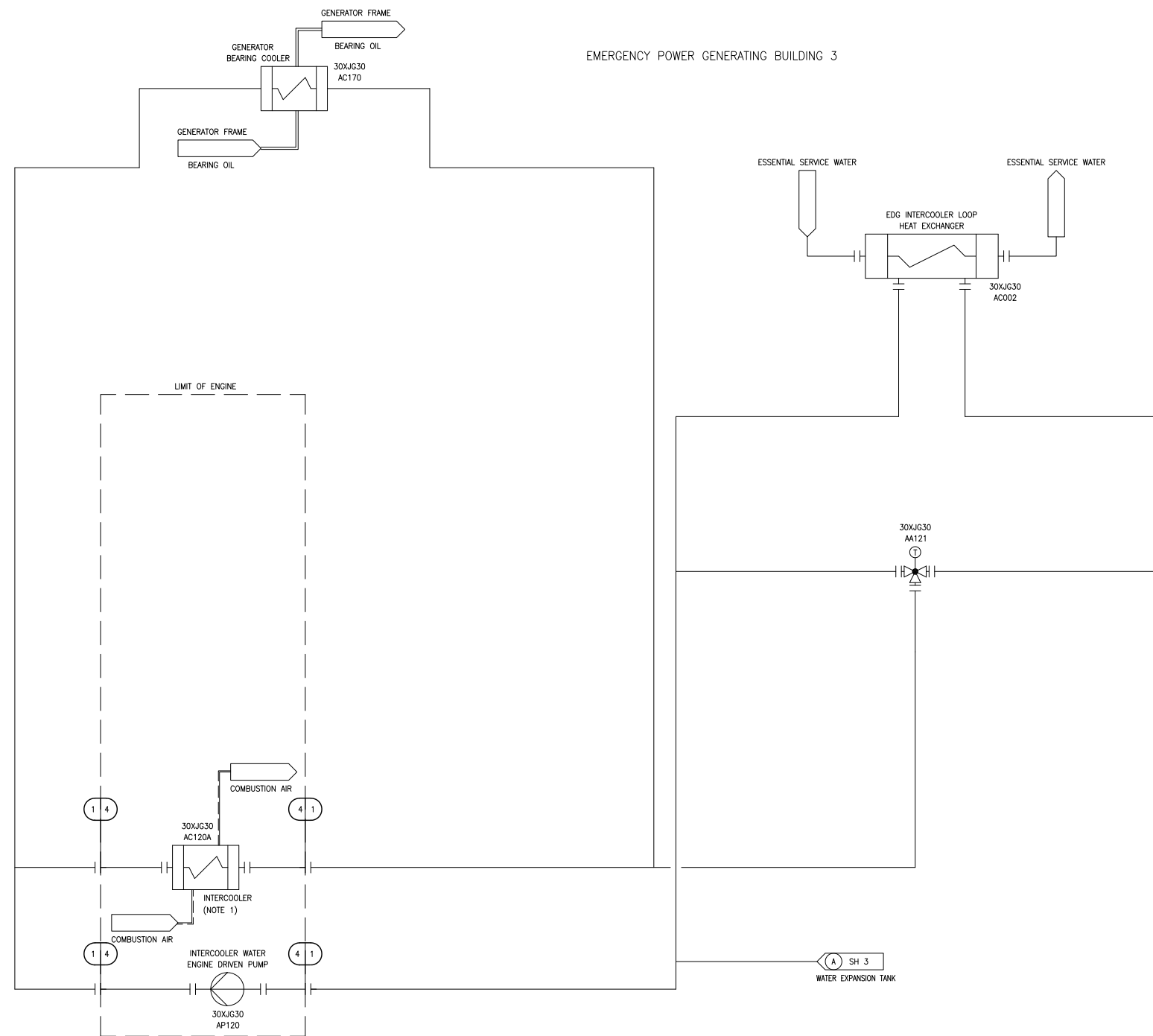


NOTES:  
1. TYPICAL OF ONE OR MORE.

4	N/A	I
1	III	I
DESIGN AREA	ASME	SSC SEISMIC CLASS

XJG06T1

Figure 2.5.4-4—Emergency Diesel Generator Cooling Water System Functional Arrangement  
Sheet 7 of 8

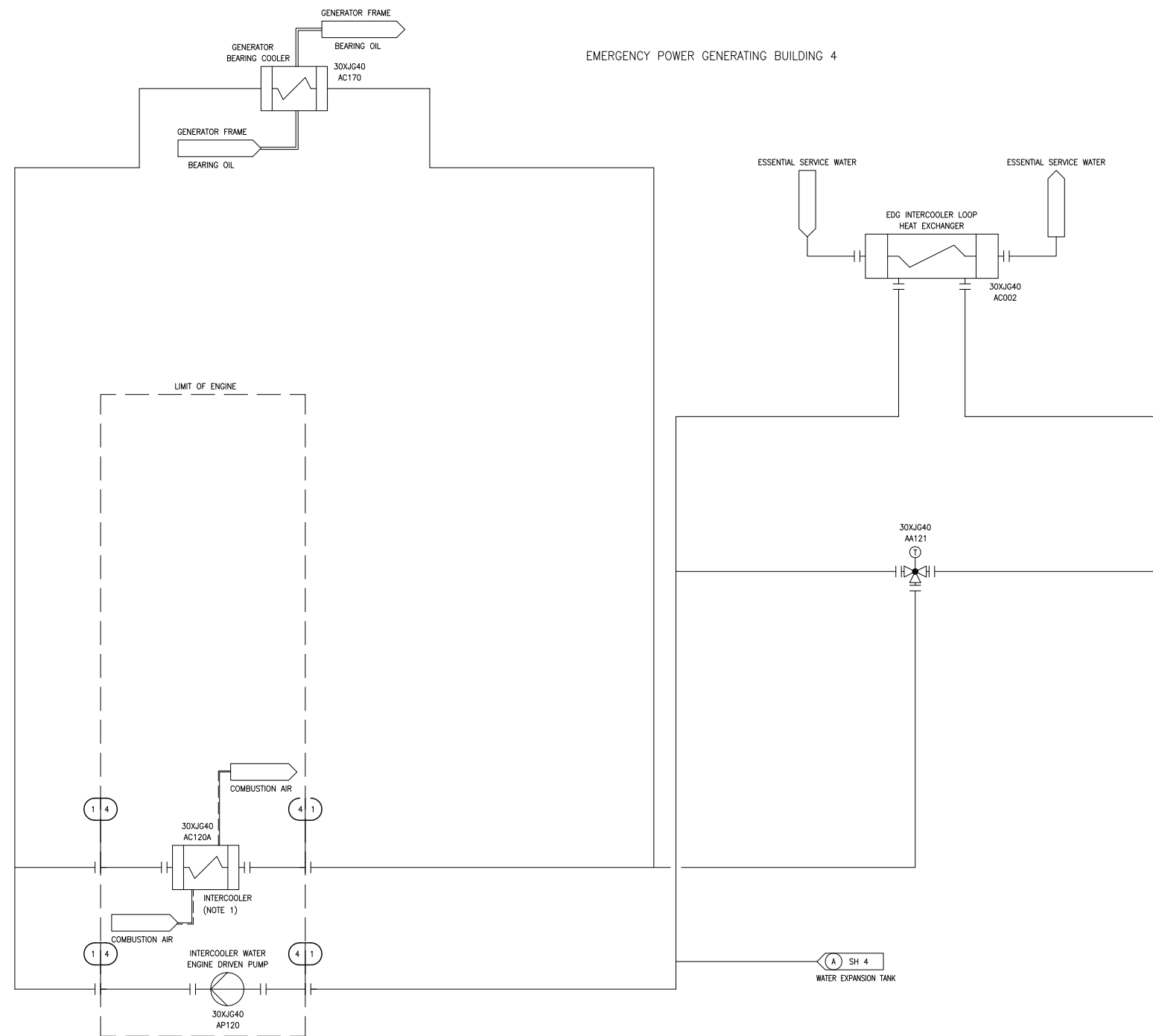


NOTES:  
1. TYPICAL OF ONE OR MORE.

4	N/A	I
1	III	I
DESIGN AREA	ASME	SSC SEISMIC CLASS

XJG07T1

Figure 2.5.4-4—Emergency Diesel Generator Cooling Water System Functional Arrangement  
Sheet 8 of 8

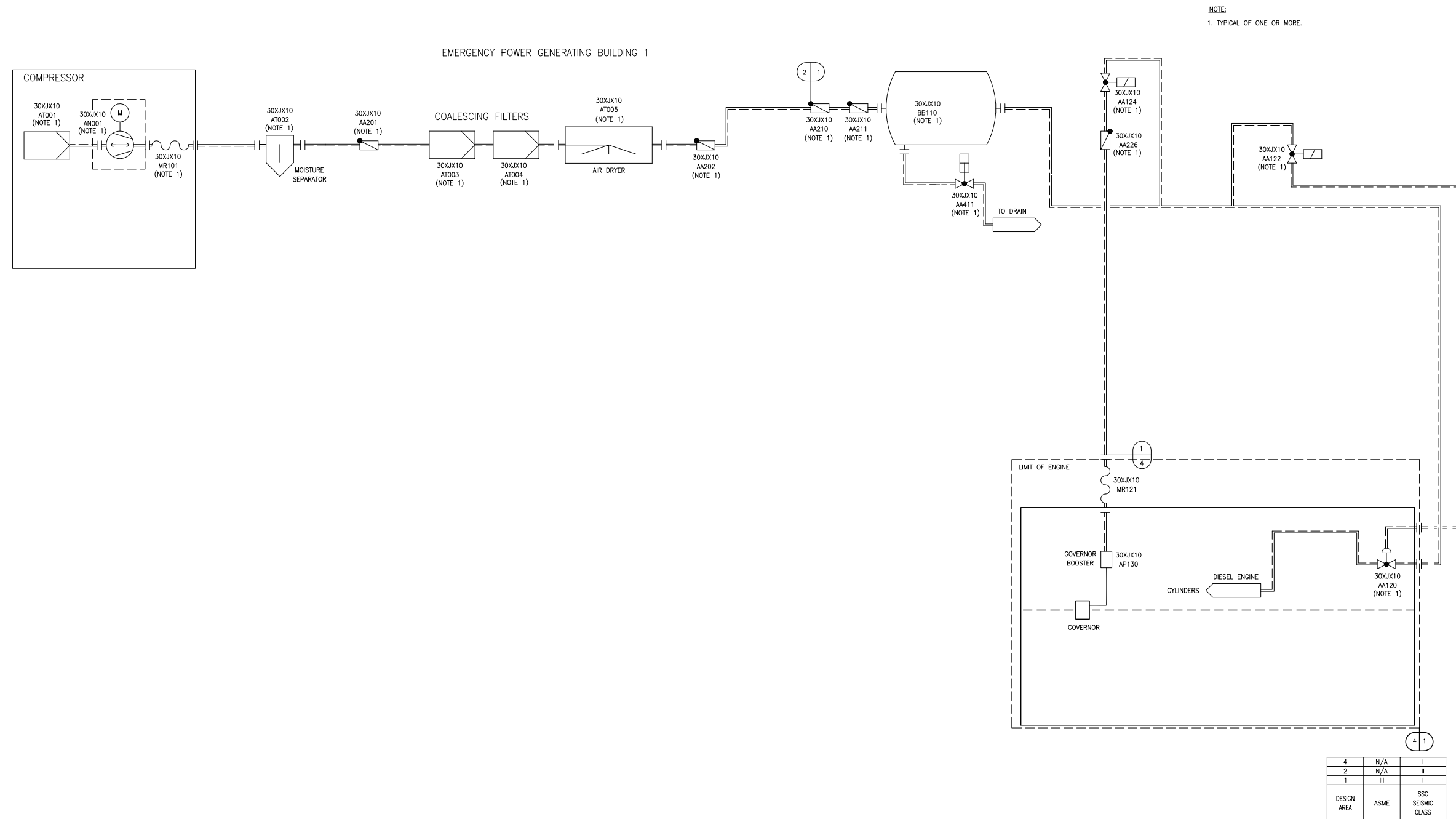


NOTES:  
1. TYPICAL OF ONE OR MORE.

4	N/A	I
1	III	I
DESIGN AREA	ASME	SSC SEISMIC CLASS

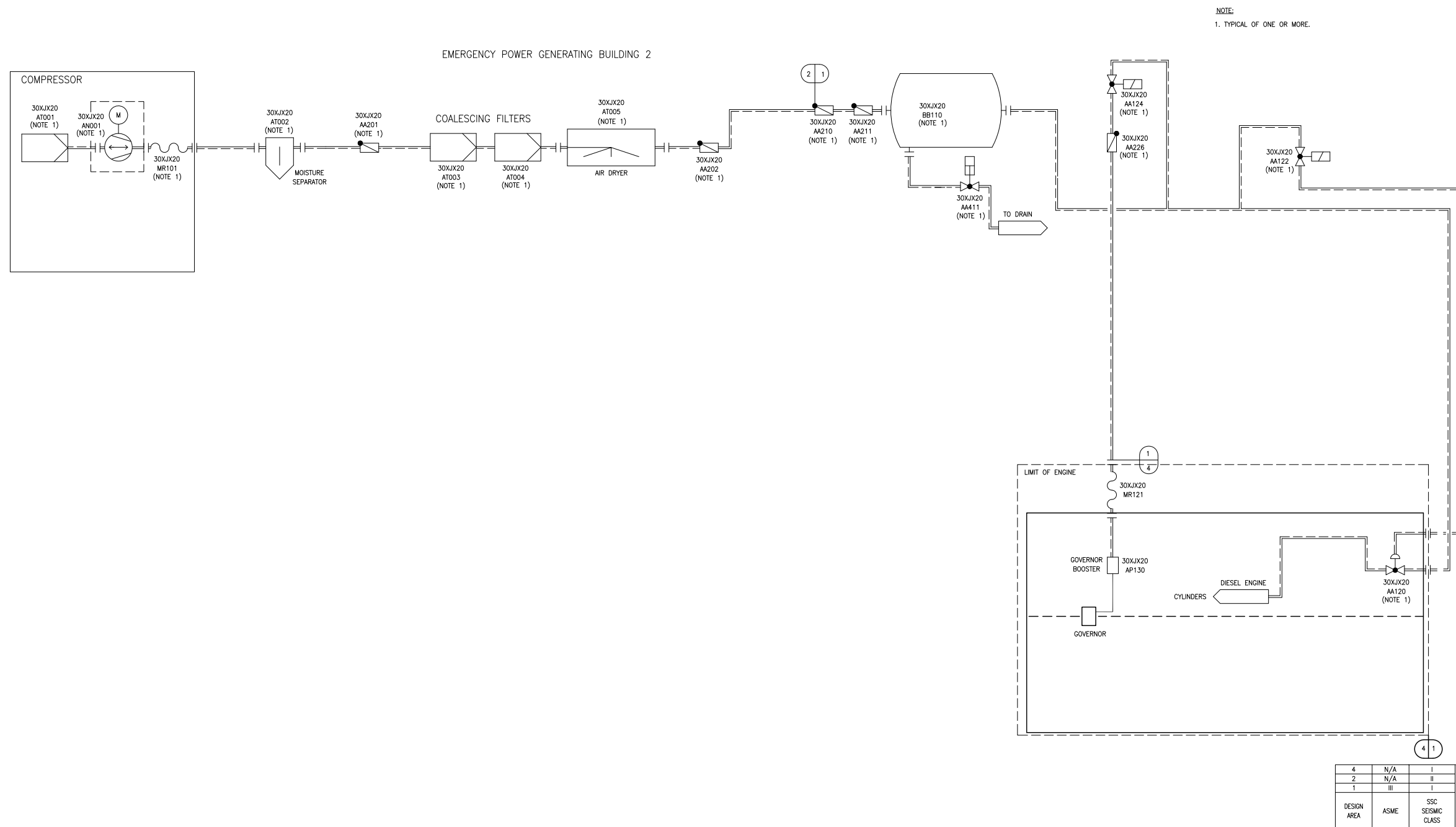
XJG08T1

Figure 2.5.4-5—Emergency Diesel Generator Starting Air System Functional Arrangement  
Sheet 1 of 4



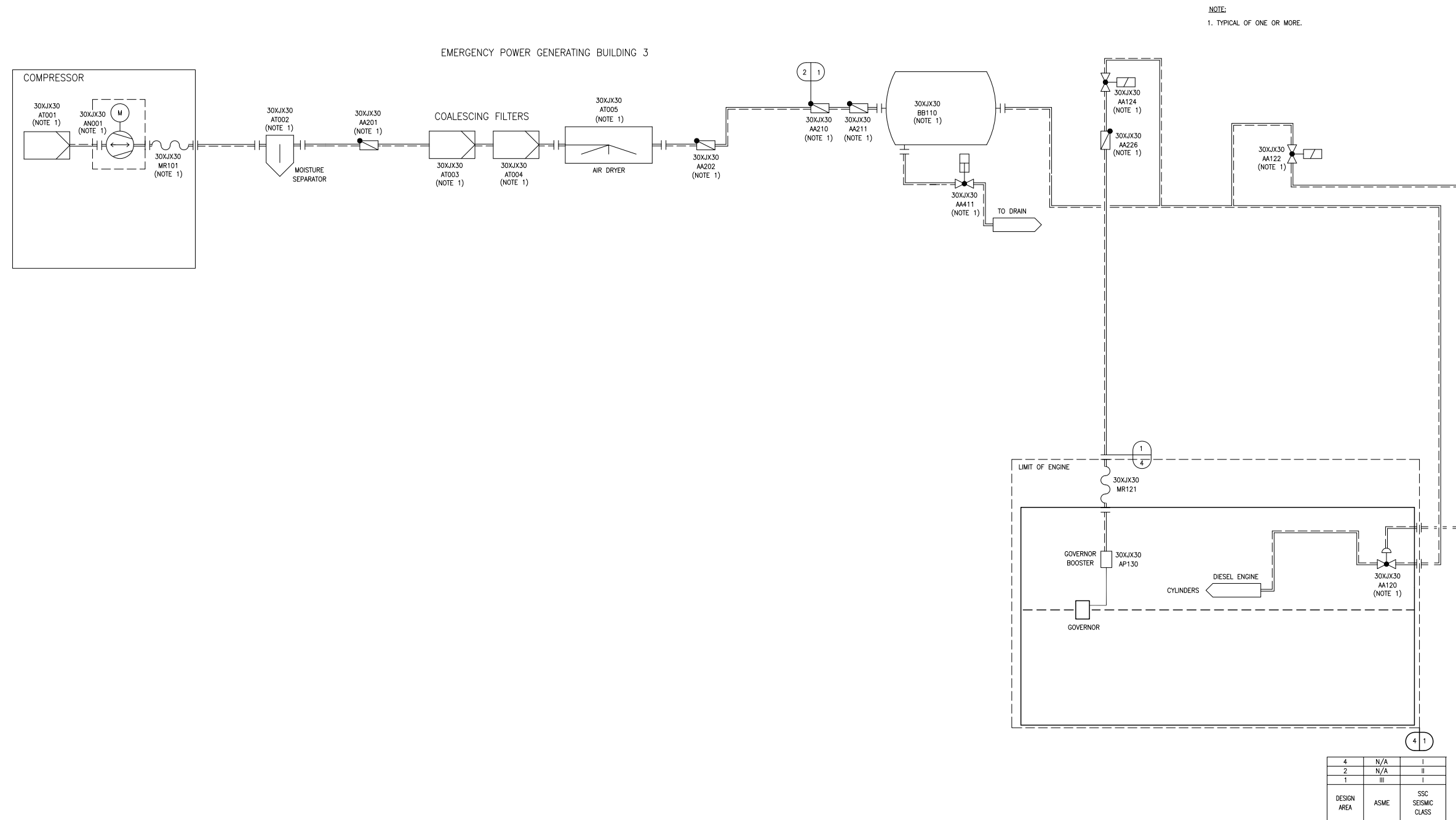
XJX01T1

Figure 2.5.4-5—Emergency Diesel Generator Starting Air System Functional Arrangement  
Sheet 2 of 4



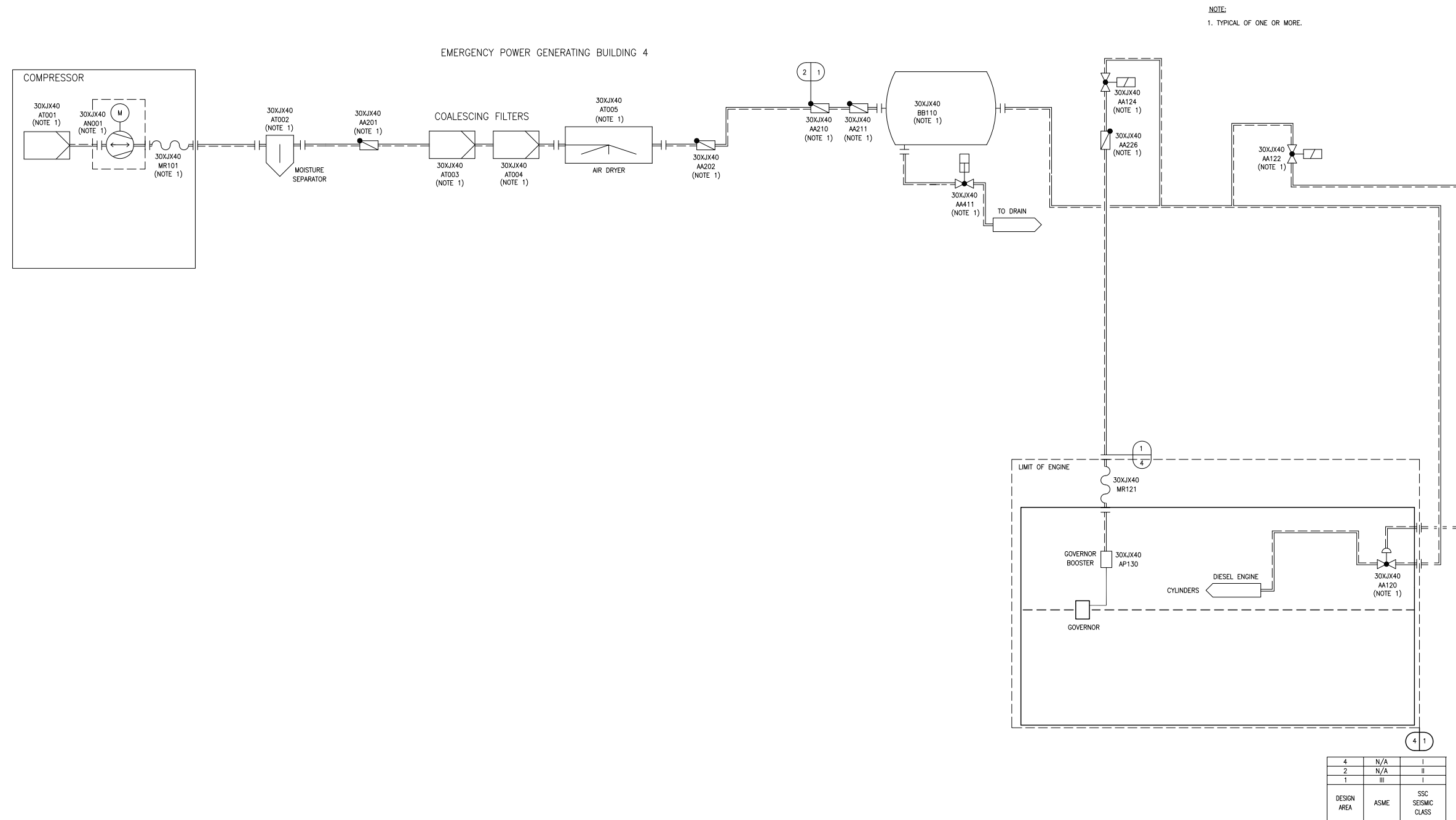
XJX02T1

Figure 2.5.4-5—Emergency Diesel Generator Starting Air System Functional Arrangement  
Sheet 3 of 4



XJX03T1

Figure 2.5.4-5—Emergency Diesel Generator Starting Air System Functional Arrangement  
Sheet 4 of 4



XJX04T1