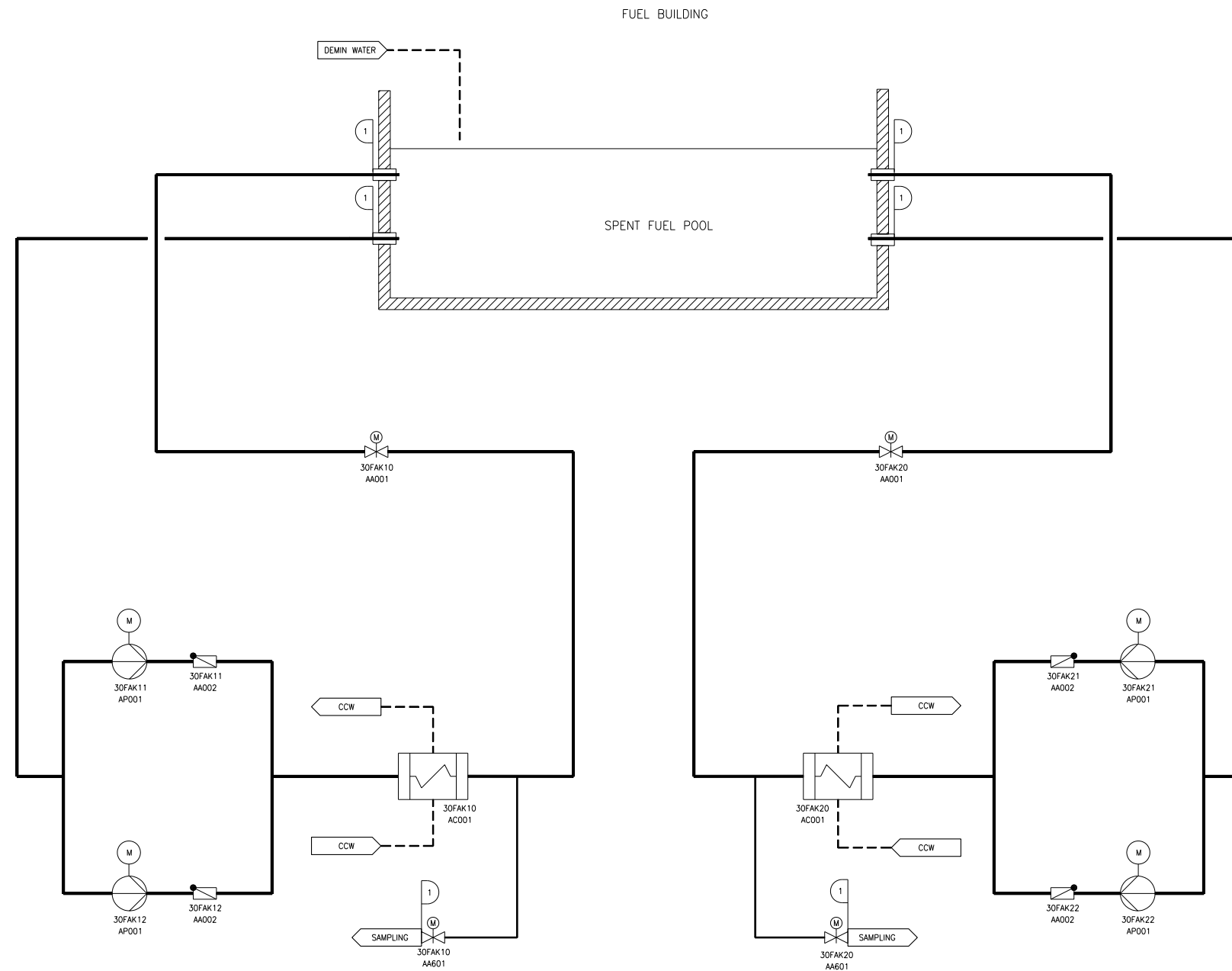


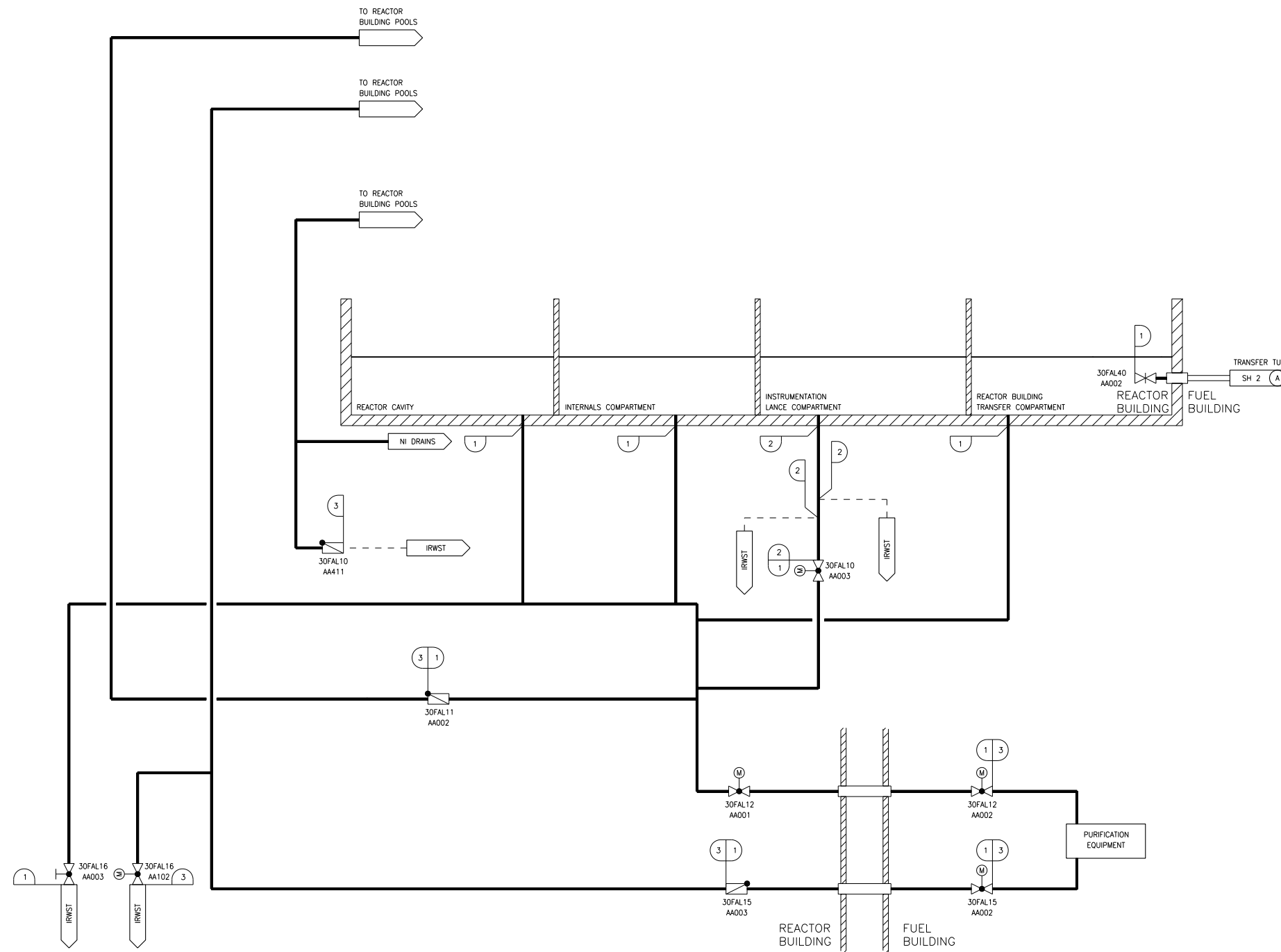
Figure 2.2.5-1—Fuel Pool Cooling and Purification System Functional Arrangement
Sheet 1 of 3



I	III	I
DESIGN AREA	ASME	SSC SEISMIC CLASS

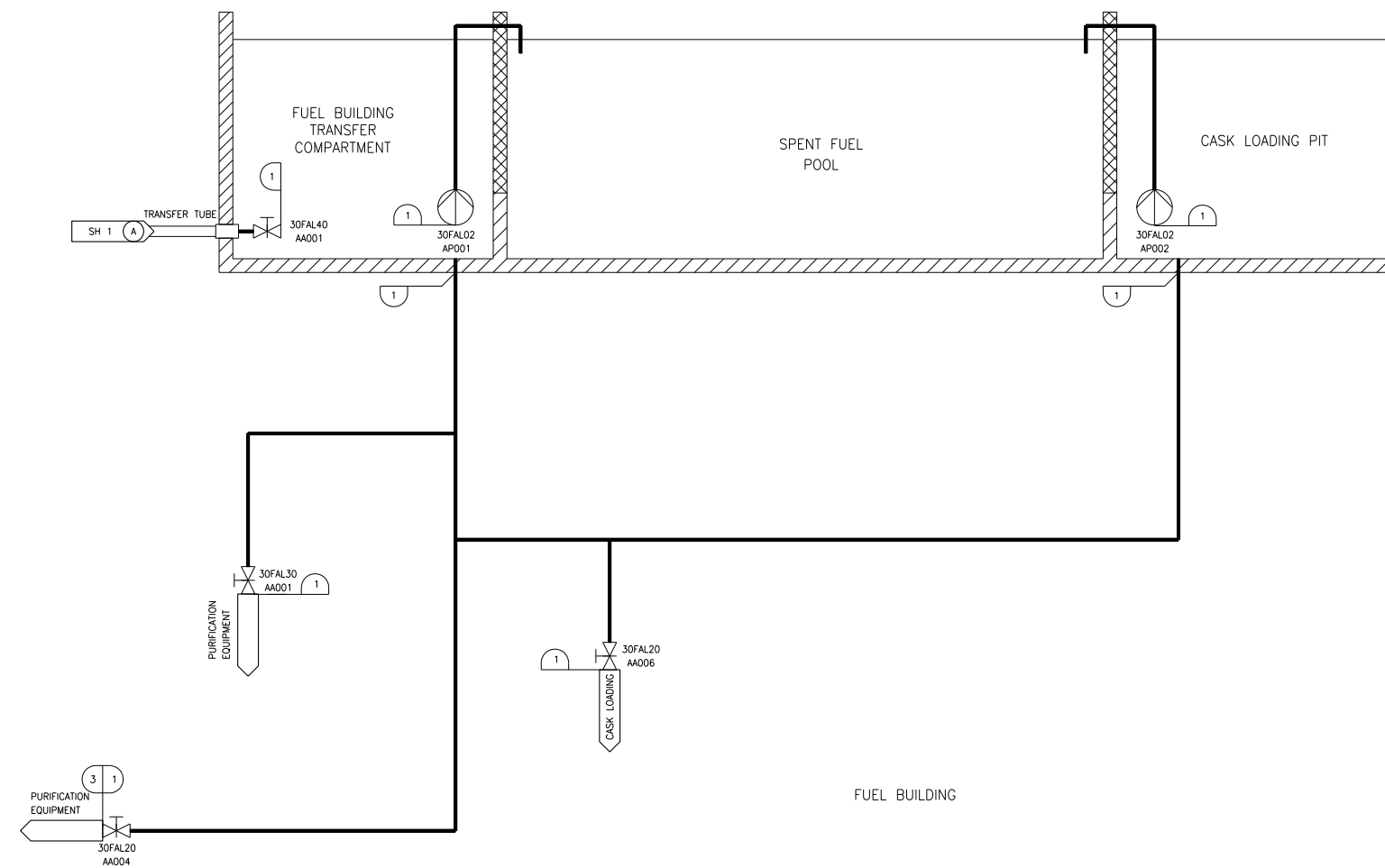
FAK01T1

Figure 2.2.5-1—Fuel Pool Cooling and Purification System Functional Arrangement
Sheet 2 of 3



FALO1T1

Figure 2.2.5-1—Fuel Pool Cooling and Purification System Functional Arrangement
Sheet 3 of 3



3	N/A	N/A
1	III	I
DESIGN AREA	ASME	SSC SEISMIC CLASS

FAL02T1